

ELECTRIC INFRARED HEATER

HALL 1500



TS3A

HALL 3000



FUNCTIONING PRINCIPLES



This radiant heating technology allows to heat immediately after switching the device on. The type of lamps emit electromagnetic waves and thanks to the design of this product, the heater can be directed towards the space to be heated, and time and consumption are optimized.

The infrared rays are not visible to the naked eye but can be perceived thanks to the emission of heat. The rays can transfer energy thanks to radiant principle; only the objects are heated, and not the air.

TECHINICAL DATA

		HALL 1500	HALL 3000	TS3A
Max capacity	kW	1,5	1,5	0,8
	Kcal/h	1290	1290	690
	Btu/h	5100	5100	2700
	kW		3	1,6
	Kcal/h		2580	1380
	Btu/h		10200	5500
	kW			2,4
	Kcal/h			2070
	Btu/h			8200
Frequency	Hz	50		
Power supply	V	220 - 240		
Rated current	A	6,5	13	10,5
Net weight	Kg	4,8	12	7,4
Gross weight	Kg	5,7	13	8

PACKING

Dim. packing	mm	540 x 250 x 320	550 x 340 x 640	380 x 240 x 460
Dim. utilization	mm	735 x 650 x 1765	590 x 600 x 870	398 x 413 x 495
	n°	36	12	36
Pieces full truck	n°	1188	396	1188

COMPONENTS

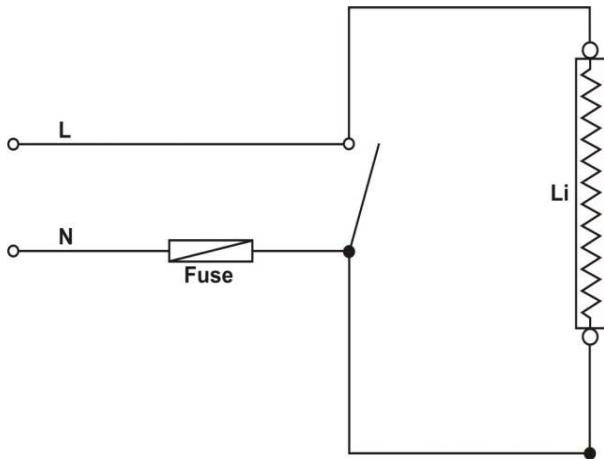
Parabola

Material stainless steel

Lamps

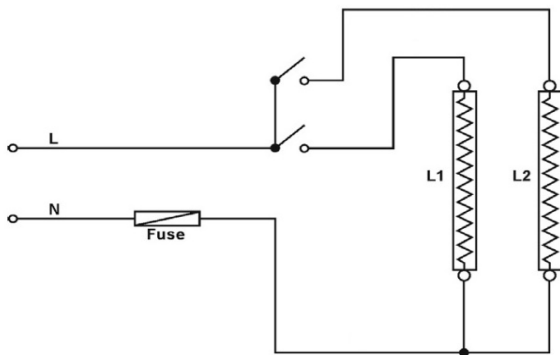
Halogen infrared

WIRING DIAGRAM



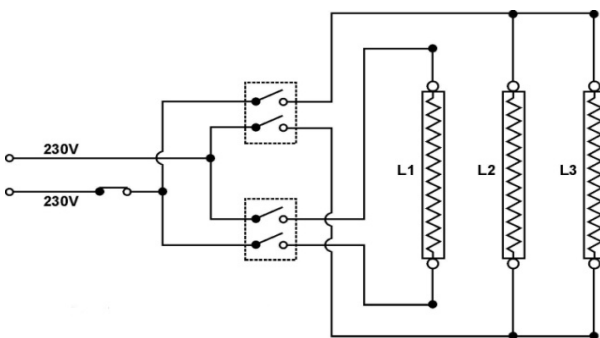
HALL 1500

L :	Line
N :	Neutral
Fuse :	Fuse
Li :	Infrared lamp



HALL 3000

L :	Line
N :	Neutral
Fuse :	Fuse
L1 :	Infrared lamp
L2 :	Infrared lamp



TS3A

L :	Linea
N :	Neutro
L1 :	Infrared lamp
L2 :	Infrared lamp
L3 :	Infrared lamp