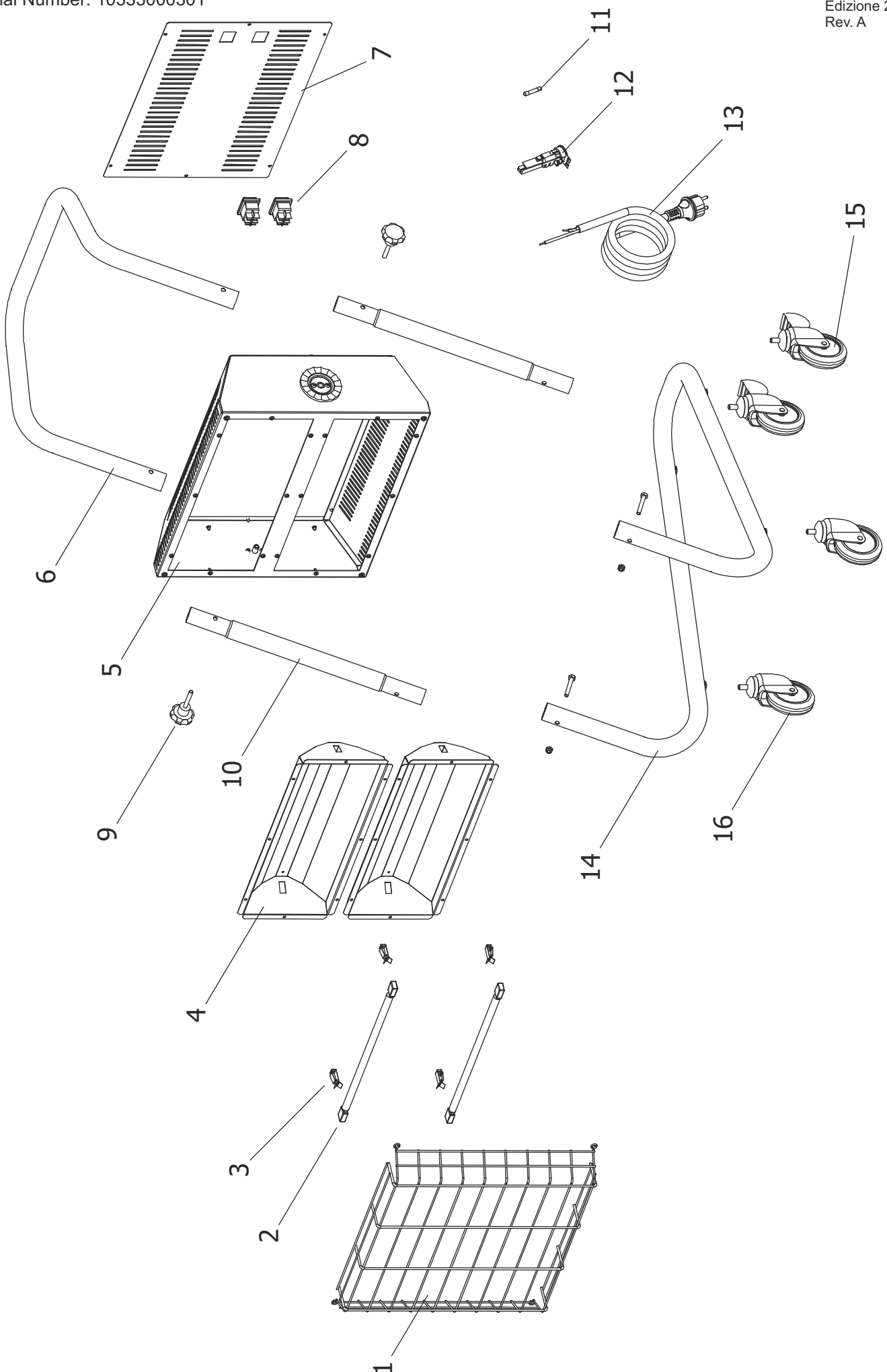


# HALL 3000 MODEL 2013

UNIT 1

ILLUSTRATED PARTS BREAKDOWN

Edizione 2013  
Rev. A



From Serial Number: 10333000301

---

<b>Pos.</b>	<b>Code NR</b>	<b>Description</b>
1	4165.514	CHROME GRILLE
2	4165.512	INFRARED LAMP
3	4165.513	CLIP
4	4165.511	CRADLE
5	4165.506	CASE
6	4165.518	HANDLE
7	4165.509	CLOSING PANEL
8	4160.637	SWITCH WITH COVER
9	4165.151	FIXING KNOB
10	4165.143	EXTENSION
11	4160.353	FUSE
12	4111.038	CABLE TIE
13	4165.149	POWER CORD
14	4165.515	FOOT
15	4165.148	PIVOTING WHEEL WITH BRAKE
16	4165.147	PIVOTING WHEEL