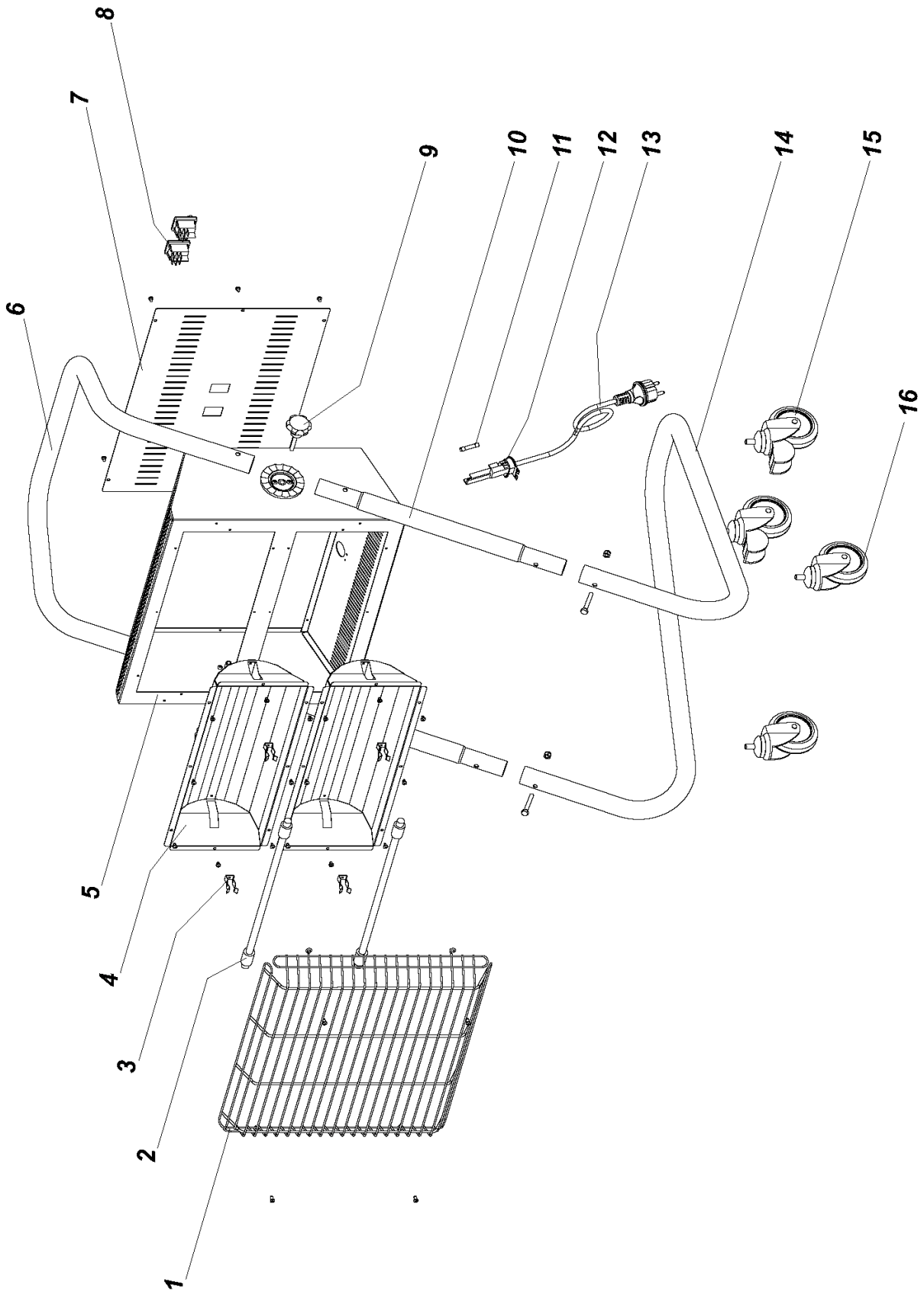


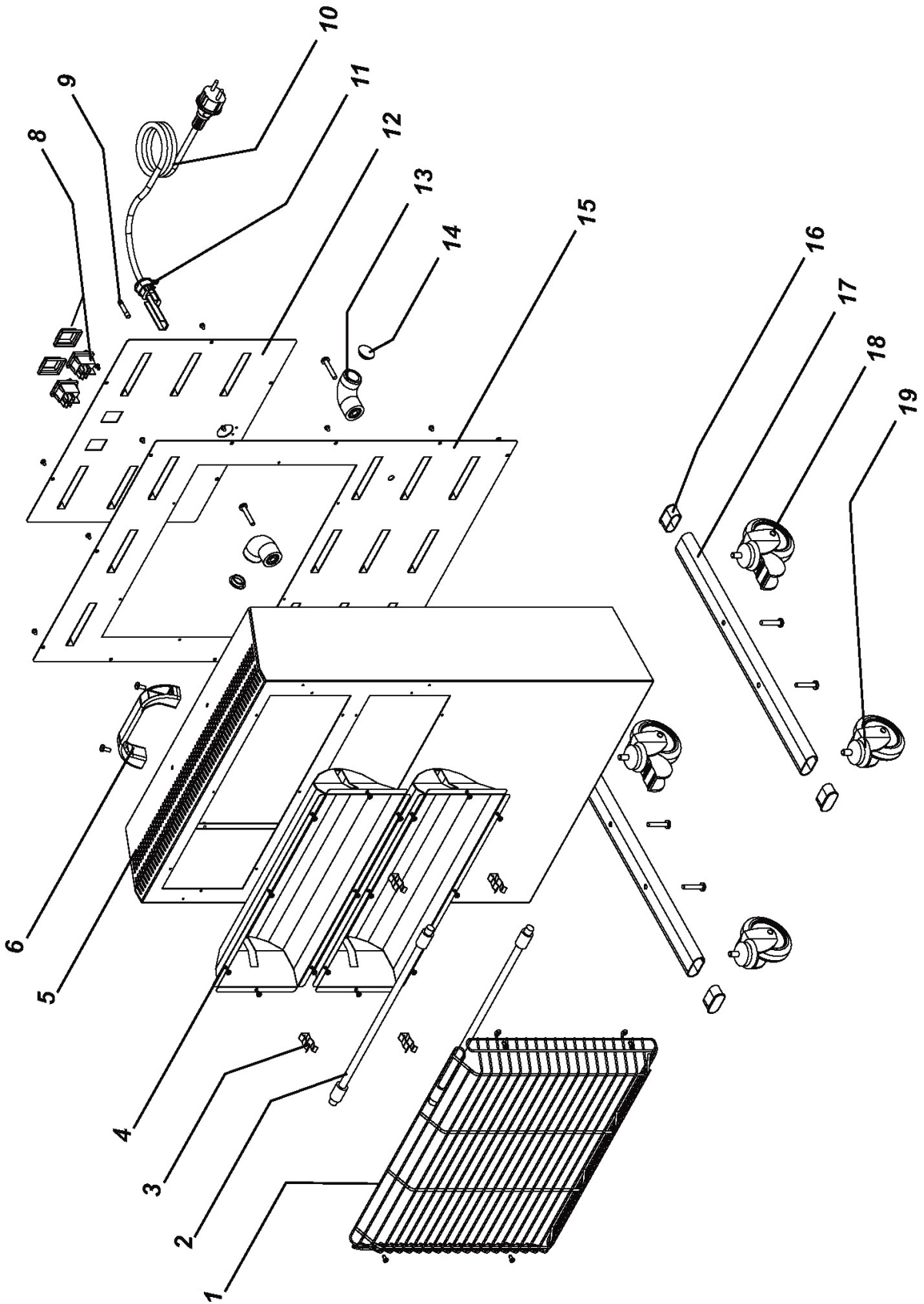
MASTER INFRARED ELECTRIC HEATERS HALL 1500

Pos.	Description	Code NR
1	PROTECTION GRILLE	4165.243
2	LAMP	4165.135
3	CLIP	4165.136
4	PARABOLA	4165.134
5	COVER	4165.257
6	CLOSING PANEL	4165.241
7	FIXING KNOB	4165.151
8	SUPPORT	4165.244
9	FUSE	4111.040
10	SWITCH WITH COVER	4160.637
11	POWER CORD	4165.149
12	CABLE TIE	4111.038
not shown	KIT STAND (OPTIONAL)	4012.321



MASTER INFRARED ELECTRIC HEATERS HALL 3000

Pos.	Description	Code NR
1	PROTECTION GRILLE	4165.137
2	LAMP	4165.135
3	CLIP	4165.136
4	PARABOLA	4165.134
5	COVER	4165.128
6	HANDLE	4165.145
7	CLOSING PANEL	4165.132
8	SWITCH WITH COVER	4160.637
9	FIXING KNOB	4165.151
10	EXTENSION	4165.143
11	FUSE	4160.353
12	CABLE TIE	4111.038
13	POWER CORD	4165.149
14	FOOT	4165.139
15	PIVOTING WHEEL WITH BRAKE	4165.148
16	PIVOTING WHEEL	4165.147



MASTER INFRARED ELECTRIC HEATERS HALL 3000 C

Pos.	Description	Code NR
1	PROTECTION GRILL	4165.137
2	LAMP	4165.135
3	CLIP	4165.136
4	PARABOLA	4165.134
5	COVER	4165.128
6	HANDLE	4160.715
8	SWITCH WITH COVER	4160.637
9	FUSE	4160.353
10	POWER CORD	4165.149
11	CABLE TIE	4111.038
12	CONTROL PANEL	4165.162
13	CABLE HANGER	4165.208
14	STOPPER	4165.207
15	CLOSING PANEL	4165.132
16	STOPPER	4165.208
17	FOOT	4165.164
18	PIVOTING WHEEL WITH BRAKE	4165.148
19	PIVOTING WHEEL	4165.147