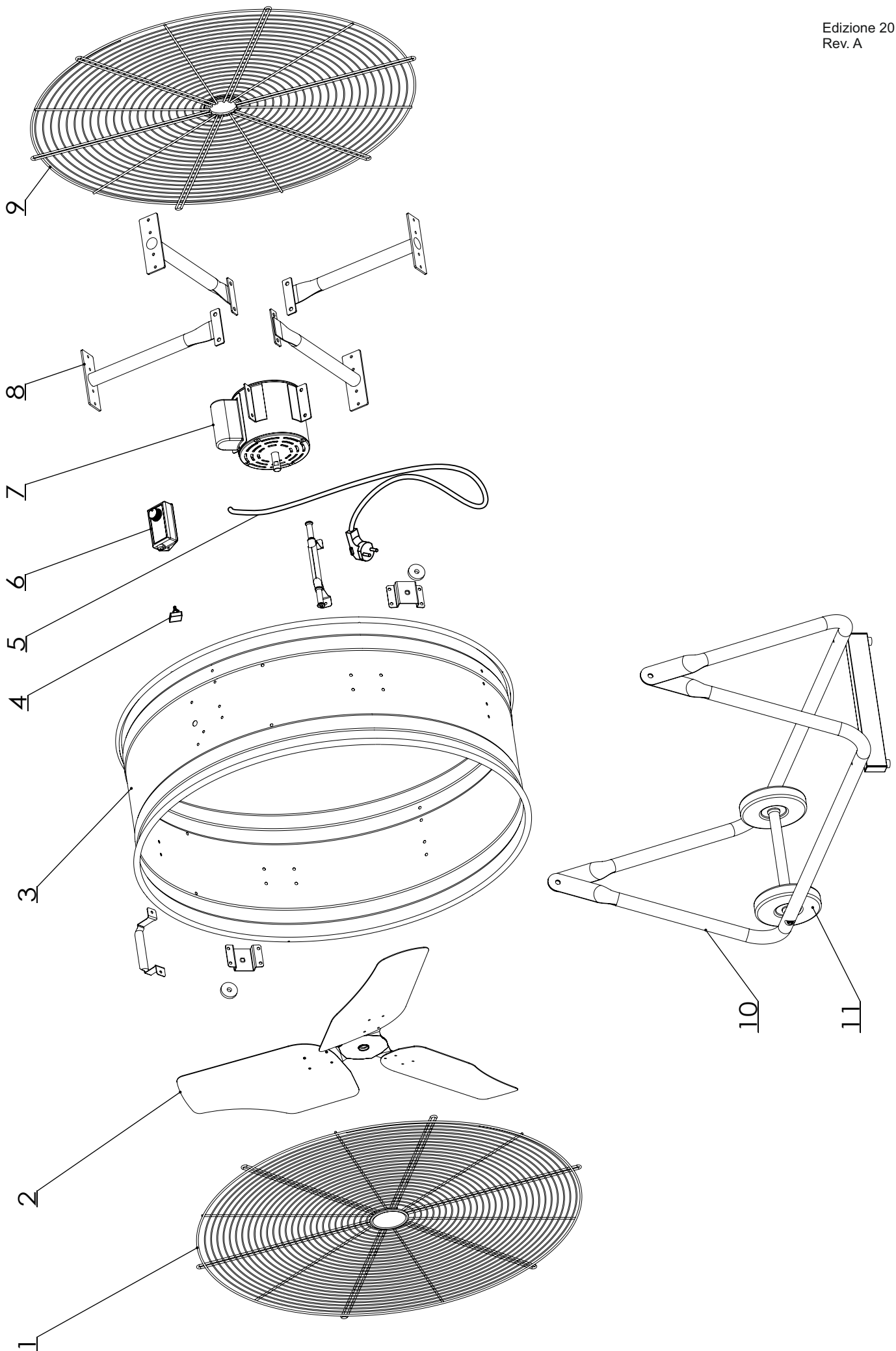


DF 30 P MODEL 2015

UNIT 1

ILLUSTRATED PARTS BREAKDOWN

Edizione 2015
Rev. A



| Pos. | Code NR | Description |
|-------------|----------------|--------------------|
| 1 | 4604.110 | Front Guard |
| 2 | 4604.115 | Blade |
| 3 | S/R | Drum Body |
| 4 | 4604.134 | Switch + Knob |
| 5 | 4604.104 | Power Cord |
| 6 | 4604.103 | Switch Box |
| 7 | 4604.114 | Motor |
| 8 | S/R | Motor Supporter |
| 9 | 4604.110 | Rear Guard |
| 10 | S/R | Bracket |
| 11 | 4604.105 | Wheel |
| Not shown | 4604.173 | Capacitor |
| Not shown | 4604.179 | Handle |

S/R = Parts available on special request only