



MASSTER[®]
CLIMATE SOLUTIONS











<p>Dantherm S.p.A. Via Gardesana 11, -37010- Pastrengo (VR), Italy</p>	<p>Dantherm S.p.A. Виа Гардесана 11, 37010 Пастренго (Верона), Италия</p>
<p>Dantherm Sp. z o.o. ul. Magazynowa 5A, 62-023 Gądkki, Poland</p>	<p>Dantherm Sp. z o.o. ул. Магазинова, 5А, 62-023 Гадки, Польша</p>
<p>Dantherm LLC ul. Transportnaya - 22 ownership 2, 142802, STUPINO, Moscow region, Russia</p>	<p>ООО «Дантерм» Ул. Транспортная, владение 22/2, 142802, г.Ступино, Московская обл., РФ</p>
<p>Dantherm China LTD Unit 2B, 512 Yunchuan Rd., Shanghai, 201906, China</p>	<p>Dantherm China LTD Юньчуань роад, 512, строение 2В, Шанхай, 201906, Китай</p>
<p>Dantherm SP S.A. C/Calabozos, 6 Poligono Industrial, 28108 Alcobendas (Madrid) Spain</p>	<p>Dantherm SP S.A. Ц/Калабозос, 6 Полигоно Индустириал, 28108 Алкобендас (Мадрит) Испания</p>

USER AND MAINTENANCE BOOK	en
LIBRETTO USO E MANUTENZIONE	it
BEDIENUNGS- UND WARTUNGSANLEITUNG	de
MANUAL DE INSTRUCCIONES PARA EL USO Y MANTENIMIENTO	es
MANUEL D'UTILISATION ET DE MAINTENANCE	fr
HANDLEIDING VOOR GEBRUIK EN ONDERHOUD	nl
MANUAL DE USO E MANUTENÇÃO	pt
VEJLEDNING OM BRUG OG VEDLIGEHODELSE	da
KÄYTTÖ- JA HUOLTO-OHJE	fi
HEFTE FOR BRUK OG VEDLIKEHOLD	no
ANVÄNDAR- OCH UNDERHÅLLSHANDBOK	sv
INSTRUKCJA OBSŁUGI I KONSERWACJI	pl
РУКОВОДСТВО ПО ЭКСПЛУАТАЦИИ И ТЕХНИЧЕСКОМУ ОБСЛУЖИВАНИЮ	ru
PŘÍRUČKA PRO POUŽITÍ A ÚDRŽBU	cs
HASZNÁLATI ÉS KARBANTARTÁSI KÉZIKÖNYV	hu
PRIROČNIK Z NAVODILI ZA UPORABO IN VZDRŽEVANJE	sl
KULLANIM VE BAKIM KİTAPÇIĞI	tr
KNJIŽICA O UPORABI I ODRŽAVANJU	hr
NAUDOJIMO IR PRIEŽIŪROS KNYGELĖ	lt
LIETOŠANAS UN TEHNISKĀS APKOPEŠ GRĀMATIŅA	lv
KASUTUS- JA HOOLDUSJUHEND	et
MANUAL DE UTILIZARE ŞI ÎNTREȚINERE	ro
PRÍRUČKA PRE POUŽITIE A ÚDRŽBU	sk
НАРЪЧНИК ЗА ИЗПОЛЗВАНЕ И ПОДДРЪЖКА	bg
КЕРІВНИЦТВО З ЕКСПЛУАТАЦІЇ Й ТЕХНІЧНОГО ОБСЛУГОВУВАННЯ	uk
KNJIŽICOM O UPOTREBI I ODRŽAVANJU	bs
ΕΓΧΕΙΡΙΔΙΟ ΧΡΗΣΗΣ ΚΑΙ ΣΥΝΤΗΡΗΣΗΣ	el
使用和维护手册	zh
ПАЙДАЛАҢУ ЖӨНЕ ТЕХНИКАЛЫҚ ҚЫЗМЕТ КӨРСЕТУ ЖЕТЕКШІЛІГІ	kk

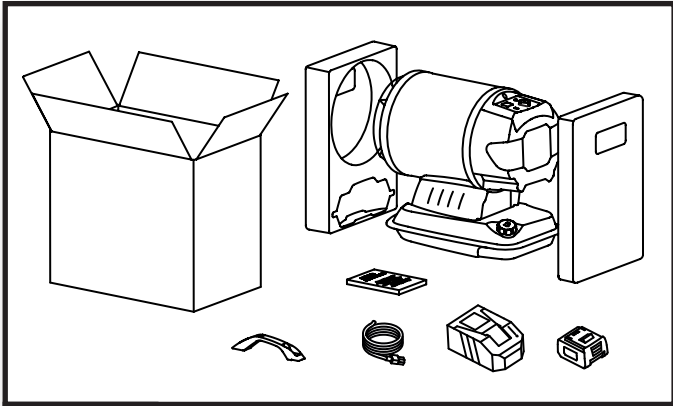
DC 61

TECHNICAL DATA TABLE - TABELLA DATI TECNICI - TECHNISCHE DATENTABELLE - TABLA DE DATOS TÉCNICOS - TABLEAU DES DONNÉES TECHNIQUES - TABEL TECHNISCHE GEGEVENS - TABELA DE DADOS TÉCNICOS - TEKNISK DATATABEL - TEKNISTEN TIETOJEN TAULUKKO - TABELL FOR TEKNISKE DATA - TABELL MED TEKNISKA EGENSKAPER - TABELA DANYCH TECHNICZNYCH - ТАБЛИЦЕ ТЕХНИЧЕСКИХ ДАННЫХ - TABULKA TECHNICKÝCH ÚDAJŮ - MŰSZAKI ADATOK TÁBLÁZATA - TEHNIČNI PODATKI - TEKNİK VERİLER TABLOSUNDA - TABLICI S TEHNIČKIM PODACIMA - TECHNINIŲ DUOMENŲ LENTELĖJE - TEHNISKO DATU TABULA - TEHNILISTE ANDMETE TABEL - TABELUL CU DATE TEHNICE - TABUĽKA TECHNICKÝCH ÚDAJOV - ТАБЛИЦА ТЕХНИЧЕСКИ ДАННИ - ТАБЛИЦІ ТЕХНІЧНИХ ДАНИХ - TABELLI SA TEHNIČKIM PODACIMA - ΠΙΝΑΚΙΔΑ ΤΩΝ ΤΕΧΝΙΚΩΝ ΣΤΟΙΧΕΙΩΝ - 技术参数 - ТЕХНИКАЛЫҚ КӨРСЕТКІШТЕР КЕСТЕСІ

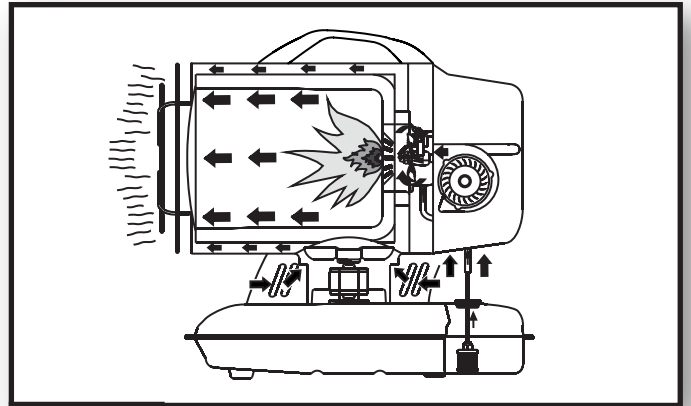
MODEL	DC 61
	17 kW-кВт 14.600 kcal/h-ккал/ч 58.000 Btu/h-БТЕ/ч
	1,35 kg/h-кг/ч
	DIESEL-KEROSENE дизель-керосин
	11 л-л
	~110-240 V-B (-15% ÷ +10%) 50-60 Hz-Гц 0,4-0,2 A
	--12 V-B (-15% ÷ +10%) 1 A
	20 kg-кг
	0,40 GpH 80°H LE DANFOSS
	950 kPa-кПа 9,5 bar-бар

⚠ IMPORTANT: In order to have a correct function you must use an electrical generator in class G3 or more (frequency variation ±1%, tension variation ±2%). The maximum power of electrical generator must be three time the nominal power of device that you must connect.

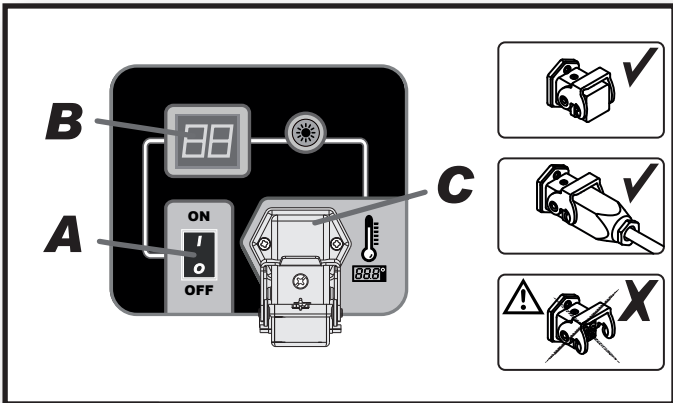
PICTURES - FIGURE - ABBILDUNGEN - FIGURAS - FIGURES - FIGUREN - FIGURAS - FIGURER - KUVAT - FIGURER - FIGUR - RYSUNKI - РИСУНКИ - OBRÁZKY - ÁBRÁK - SLIKE - ŞEKİLLER - SLIKE - PA-VEIKSLĖLIAI - ΑΤΤΕΛΙ - JOONISED - IMAGINI - OBRÁZKY - ФИГУРА - МАЛЮНКИ - SLIKE - ΕΙΚΟΝΕΣ - 图 - СУРЕТТЕР



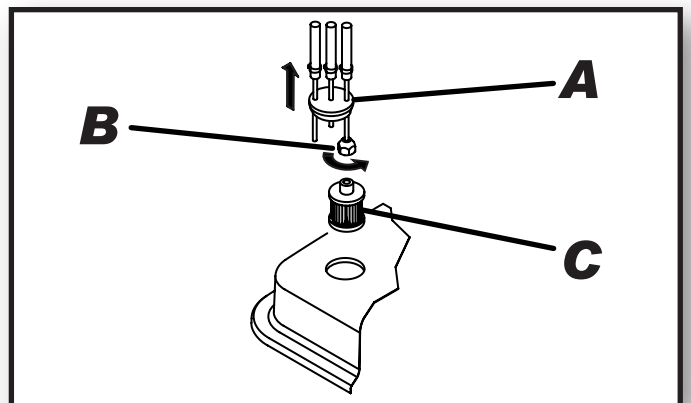
1



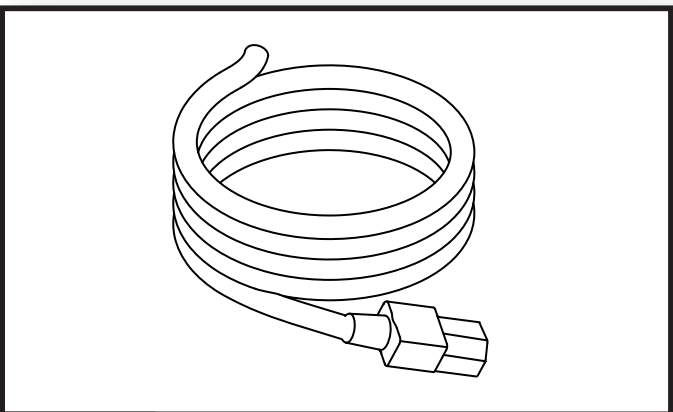
2



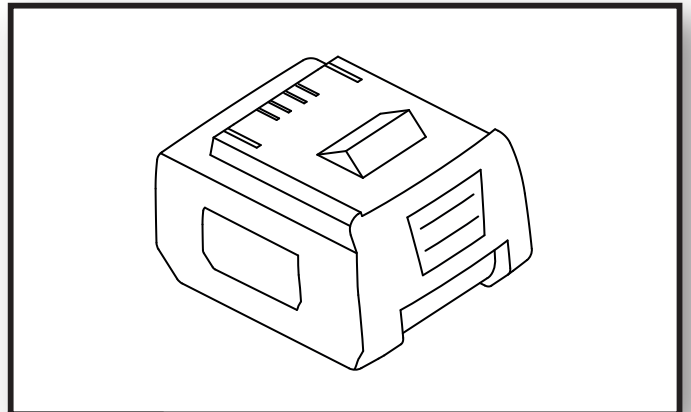
3



4

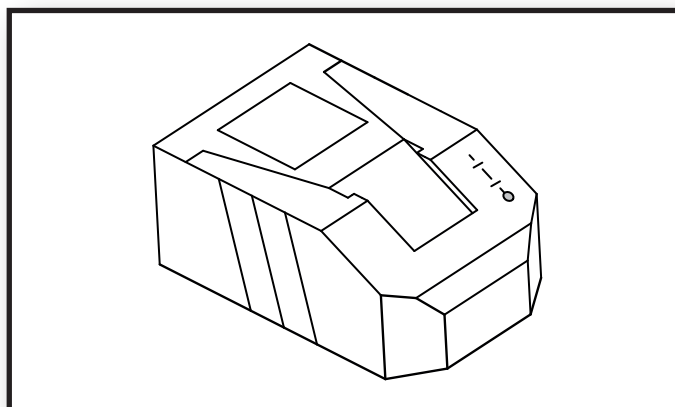


5

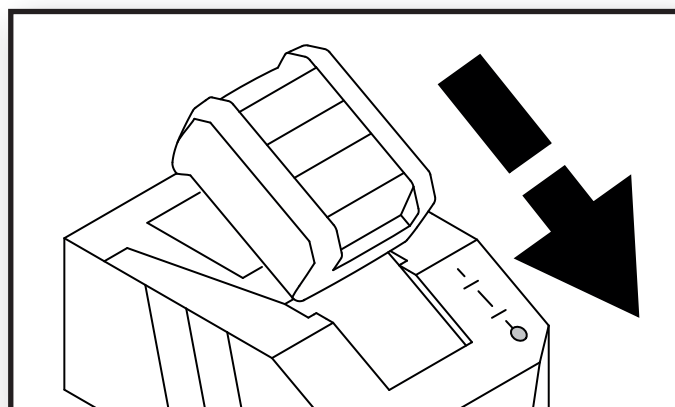


6

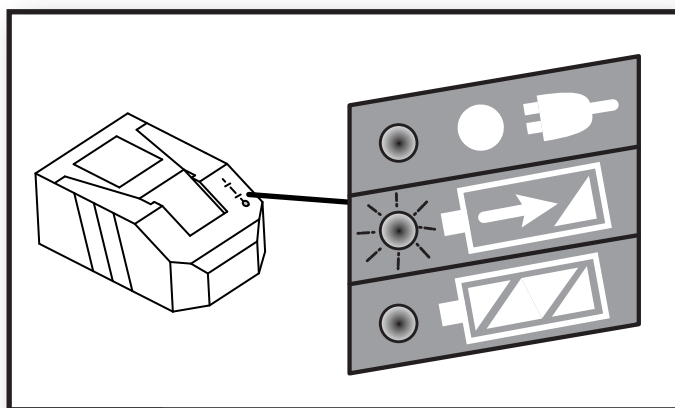
PICTURES - FIGURE - ABBILDUNGEN - FIGURAS - FIGURES - FIGUREN - FIGURAS - FIGURER - KUVAT - FIGURER - FIGUR - RYSUNKI - РИСУНКИ - OBRÁZKY - ÁBRÁK - SLIKE - ŞEKİLLER - SLIKE - PA-VEIKSLĖLIAI - ATTĒLI - JOONISED - IMAGINI - OBRÁZKY - ФИГУРА - МАЛЮНКИ - SLIKE - EIKONES - 图 - СУРЕТТЕР



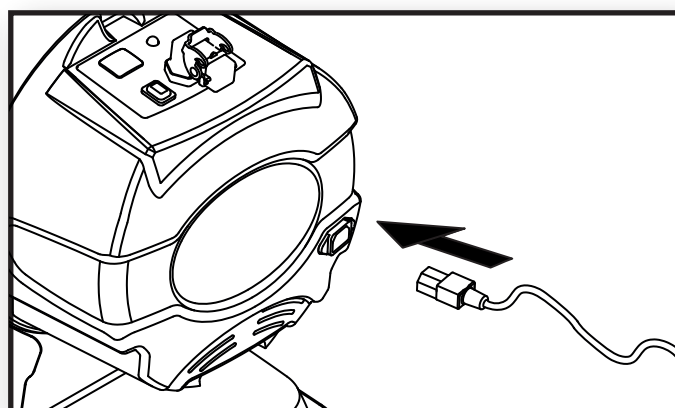
7



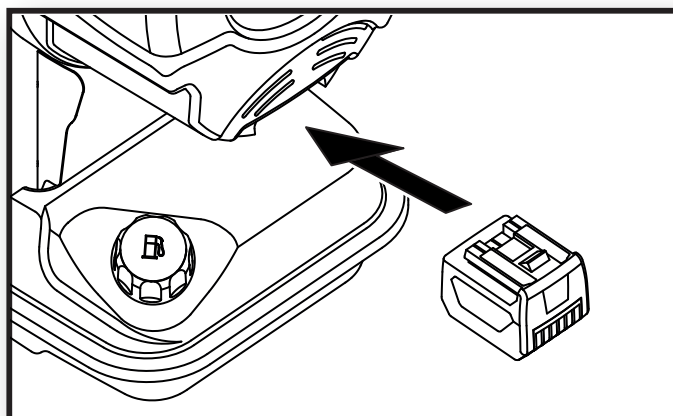
8



9

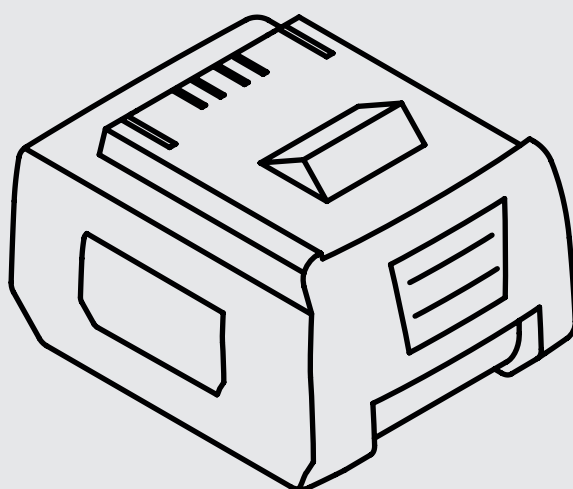


10



11

**TECHNICAL DATA - DATI TECNICI - TECHNISCHE DATEN - DATOS
TÉCNICOS - DONNÉES TECHNIQUES - TECHNISCHE GEGEVENS -
DADOS TÉCNICOS - TEKNISKE DATA - TEKNISET TIEDOT - TEKNIS-
KE DATA - TEKNISKA DATA - DANE TECHNICZNE - ТЕХНИЧЕСКИЕ
ДААННЫЕ - TECHNICKÉ ÚDAJE - MŰSZAKI ADATOK - TEHNIČNI PO-
DATKI - TEKNİK VERİLER - TEHNIČKI PODACI - TECHNINIAI DUO-
MENYS - TEHNISKIE DATI - TEHNILISED ANDMED - DATE TEHNI-
SE - TECHNICKÉ ÚDAJE - ТЕХНИЧЕСКИ ДААННИ - ТЕХНІЧНІ ДААНІ
- TEHNIČKI PODACI - ТЕХНІКА ДЕДОМЕНА - 技术参数 - ТЕХНІКАЛЫК
КӨРСЕТКІШТЕР**



BATTERY: MCS BAT6

Cell Type: Li-ion 18650

Nominal Voltage: 14,4 V

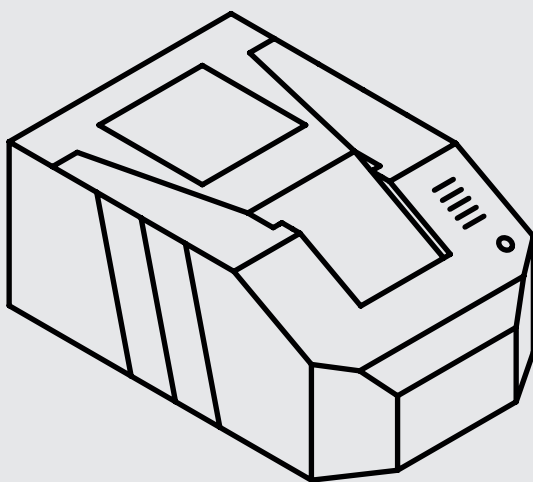
Nominal Capacity: 6,0 Ah

Weight: 490 g

Charging: 0 °C ÷ 40 °C

Discharging: -20 °C ÷ 40 °C

**TECHNICAL DATA - DATI TECNICI - TECHNISCHE DATEN - DATOS
TÉCNICOS - DONNÉES TECHNIQUES - TECHNISCHE GEGEVENS -
DADOS TÉCNICOS - TEKNISKE DATA - TEKNISSET TIEDOT - TEKNIS-
KE DATA - TEKNISKA DATA - DANE TECHNICZNE - ТЕХНИЧЕСКИЕ
ДААННЫЕ - TECHNICKÉ ÚDAJE - MŰSZAKI ADATOK - TEHNIČNI PO-
DATKI - TEKNİK VERİLER - TEHNIČKI PODACI - TECHNINIAI DUO-
MENYS - TEHNISKIE DATI - TEHNILISED ANDMED - DATE TEHNI-
SE - TECHNICKÉ ÚDAJE - ТЕХНИЧЕСКИ ДАННИ - ТЕХНІЧНІ ДАНІ
- TEHNIČKI PODACI - ТЕХНИКА ДЕДОМЕНА - 技术参数 - ТЕХНИКАЛЫК
КӨРСЕТКІШТЕР**



CHARGER: MCS CHA

Nominal Input Voltage: ~230 V AC 50-60 Hz

Max. Input Power: 75 W

Charging Volt.: 16,35 V \pm 0,25 V

Charging Current: 3,5 A

Temperature Function: -20 °C \pm 55 °C

CHARGER: MCS CHA

Nominal Input Voltage: ~120 V AC 50-60 Hz

Max. Input Power: 75 W


Charging Volt.: 16,35 V \pm 0,25 V


Charging Current: 3,5 A

Temperature Function: -20 °C \pm 55 °C

IMPORTANT: READ AND UNDERSTAND THIS OPERATIONAL MANUAL BEFORE PERFORMING ASSEMBLY, COMMISSIONING OR MAINTENANCE ON THIS HEATER. INCORRECT USE OF THE HEATER CAN CAUSE SERIOUS INJURY. KEEP THIS MANUAL FOR FURTHER REFERENCE.

►► 1. INFORMATION ON SAFETY (WARNINGS)

 **IMPORTANT:** This air heater has been designed for mobile and temporary professional applications. It has not been designed for domestic use nor for thermal comfort of human.

 **IMPORTANT:** This appliance is not suitable for use by persons (including children) with reduced physical, sensory and mental capacities or with lack of experience or knowledge unless supervised by a person responsible for their safety. Children must be supervised to make sure they do not play with the appliance.

 **DANGER:** Suffocation by carbon monoxide can be fatal.

The first symptoms of suffocation by carbon monoxide are similar to those of flu with headache, light-headedness and/or nausea. These symptoms could be caused by the faulty functioning of the heater. IF THESE SYMPTOMS OCCUR, GO OUTDOORS IMMEDIATELY and have the heater repaired by the technical support centre.

1.1. REFUELLING:

- 1.1.1. Personnel appointed to carry out refuelling must be qualified and fully familiar with the manufacturer's instructions and current regulations on how to refuel heaters safely.
- 1.1.2. Only use the type of fuel specified on the heater's identification plate.
- 1.1.3. Before refuelling, turn off the heater and wait for it to cool down.
- 1.1.4. The tanks used to store the fuel must be stored in a separate place.
- 1.1.5. Fuel tanks must be kept at a minimum distance from the heater, according to current standards.
- 1.1.6. The fuel must be stored in an area where the floor does not allow it to penetrate or drip onto flames underneath it, which may ignite the fuel.
- 1.1.7. The fuel must be stored in accordance with current regulations.

1.2. SAFETY:

- 1.2.1. Never use the heater in areas with petrol, paint solvents or other highly flammable vapours.
- 1.2.2. Comply with all local legislation and current regulations when using the heater.
- 1.2.3. Heaters used near tarpaulins, curtains or other similar covering materials must be a safe distance from them. It is advised to use fire-proof covering material.
- 1.2.4. Only use in well-ventilated areas. Set-up a suitable opening in line with current standards, with the purpose of introducing fresh air from outdoors.
- 1.2.5. Power on the heater only with a current which has the voltage and frequency values specified on the heater's identification plate.
- 1.2.6. Only use suitably earthed 3-wire extension leads.
- 1.2.7. Recommended safety distances between the heater and flammable substances: front output 2.5 m (8 ft); on the side, at the top and at the back = 1.5 m (5 ft).

- 1.2.8. Avoid fire hazards by placing the hot or functioning heater on a steady level surface.
- 1.2.9. Keep animals at a safe distance from the heater.
- 1.2.10. Disconnect the power supply or battery from the heater, when not in use.
- 1.2.11. When it is controlled by a thermostat, the heater can turn on at any time.
- 1.2.12. Never use the heater in frequently used rooms nor in bedrooms.
- 1.2.13. Never move, handle, refuel or conduct maintenance on the heater when it is hot, connected to the mains, battery-powered or in operation.
- 1.2.14. Keep the hot parts of the heater a suitable distance from inflammable or thermolabile materials (including the power supply cable).
- 1.2.15. If the power cable or battery is damaged, they must be replaced by a technical support centre to prevent any risk (dispose of the damaged material according to current regulations).
- 1.2.16. Make sure that the heater is turned off before connecting the power cable and/or inserting the rechargeable battery, in order to avoid risks.
- 1.2.17. Use only the original rechargeable batteries recommended by the manufacturer. The use of non-original rechargeable batteries can cause damage, injuries, burns, explosions, electric shocks, poisoning, or endanger life.
- 1.2.18. Keep the disconnected rechargeable battery at a safe distance from paper clips, coins, keys, nails, screws and any other small metal objects that could cause a short-circuit. A short-circuit between the contacts of the rechargeable battery can cause damage, injuries, burns, explosions or endanger life.
- 1.2.19. Incorrect use of the rechargeable battery can cause the battery fluid to leak. Avoid all contact with the battery. In the event of accidental contact, rinse yourself thoroughly with water. Seek immediate medical attention if the fluid comes into contact with your eyes. The fluid in the rechargeable battery can cause skin irritation or burns.
- 1.2.20. Incorrect use of the rechargeable battery can cause the battery to release fumes. Avoid inhaling these fumes at all costs. Ensure a good flow of fresh air and seek immediate medical attention in the event of accidental inhalation of fumes. The fumes can irritate the airways.
- 1.2.21. In order to avoid serious risk, do not attempt to open or disassemble the rechargeable battery.
- 1.2.22. In order to avoid serious risk, protect the rechargeable battery against heat (for example, constant direct sunlight or fire) water, humidity, etc.
- 1.2.23. Use the specific rechargeable battery only for this heater, in order to avoid hazardous overloading.
- 1.2.24. Use only original rechargeable batteries with the voltage rating indicated on the technical data plate affixed to the heater. The use of other types of rechargeable battery (like imitation batteries, regenerated batteries, batteries from other brands, etc.) poses the risk of injuries and/or explosions.
- 1.2.25. Use only original battery chargers to charge the rechargeable battery. Each battery must be charged

using its specific charger in order to avoid the risks of fire and explosion.

- ▶ 1.2.26. Use only the power supply methods recommended in this manual. It is prohibited to change the power supply method when the heater is running, in order to avoid serious damage.▶ 1.2.27. When the heater is managed by the thermostat or switches from power supply to battery power cable, the heater may turn off and go in stand-by mode (the display shows “[]”), pay close attention because the heater may automatically turn on again at any time and may cause serious damage to property and people.

▶▶ 2. UNPACKING

See Fig. 1

- ▶ 2.1. Remove all packaging material used to deliver the heater and dispose of it in compliance with current standards.
- ▶ 2.2. Remove all items from the packaging.
- ▶ 2.3. Check for any damage incurred during transport. If the heater appears damaged, immediately inform the dealer from whom it was purchased.

▶▶ 3. DESCRIPTION OF ARTICLES

▶ 3.1. POWER CABLE (where present):

THE POWER SUPPLY CABLE DOES NOT CHARGE THE BATTERY.

(Pic. 5) The heater can be connected to the mains by the power supply cable. Check the cable regularly for wear, in order to avoid serious damage. Observe all the warning messages relating to the power cable in this manual.

▶ 3.2. BATTERY (when applicable):

(Pic. 6)

NOTES: DEPENDING ON THE BATTERY CAPACITY (MEASURED IN Ah), IT IS NECESSARY TO USE AN ORIGINAL BATTERY CHARGER AND OF ADEQUATE POWER.

The heater can operate autonomously using an original Li-ion rechargeable battery, without a mains connection. The rechargeable battery is provided only partially charged. It is advisable, therefore, to fully charge the battery before initial use. Use only original batteries to power the heater. Observe all the warning messages relating to the battery in this manual.

▶ 3.3. BATTERY CHARGER (when applicable):

(Pic. 7) The battery charger is designed to charge original lithium-batteries. The operating parameters for the battery charger (see the data plate affixed on the battery charger) must be observed. Use the battery charger in completely dry, dust-free environments to charge only the original rechargeable batteries used to power this heater. The battery charger is designed to automatically charge the rechargeable battery when connected (Pic. 8). A LED light on the battery charger provides detailed diagnostics during the charging phase (Pic. 9). Observe all the warning messages relating to the battery charger in this manual.

▶▶ 4. FUEL

WARNING: The heater only works with DIESEL or KEROSENE.

Only use diesel or kerosene to avoid any fire or explosion hazard. Never use petrol, naphtha, solvents for paints, alcohol or other highly inflammable fuels.

Use non-toxic, anti-freeze additives in case of very low temperatures.

▶▶ 5. OPERATING PRINCIPLE

See Pic. 2

The air needed to ensure proper combustion is produced by the rotation of a fan inside the burner. The air flow comes out from the burner sleeve and mixes with the fuel that is sprayed at a high pressure by a nozzle. The nozzle-sprayed fuel is guaranteed by an electric pump that sucks the fuel from the tank and pushes it at high pressure to the nozzle.

▶▶ 6. OPERATION

WARNING: Carefully read the “SAFETY INFORMATION” before switching on the heater.

IMPORTANT: After the first time the heater does not switch on, make sure there is fuel in the tank, make sure the fuel filter is clean and make sure that the heater is positioned on a flat, stable surface.

IMPORTANT: This is a target infrared heater. Heats objects, not air.

IMPORTANT: To change type of power supply from battery to cable and vice-versa, turn off the heater by strictly following the entire procedure to avoid serious damages.

▶ 6.1. IGNITING THE HEATER:

- ▶ 6.1.1. Follow all the safety instructions.
- ▶ 6.1.2. Check if there is any fuel in the tank.
- ▶ 6.1.3. Close the tank cap.
- ▶ 6.1.4. Connect the power plug to the mains or charged battery (SEE VOLTAGE IN “TECHNICAL DATA TABLE”) (Pic. 10-11).
- ▶ 6.1.5. Turn the “ON/OFF” switch to “ON” (I) (A Pic. 3). The heater should turn on within a few seconds. If the heater does not start, see the troubleshooting paragraph (Par. 10).

PLEASE NOTE: IF THE HEATER SWITCHES OFF DUE TO LACK OF FUEL, TURN OFF THE HEATER, TOP UP THE TANK AND TURN IT ON AGAINST (SEE PAR. 5.1.).

▶ 6.2. TURNING OFF THE HEATER:

CAUTION: DO NOT REMOVE VOLTAGE OR DISCONNECT THE POWER CABLE OR REMOVE THE BATTERY UNTIL THE HEATER HAS COOLED COMPLETELY (approx. 5 min.).

- ▶ 6.2.1. Turn the “ON/OFF” switch to “OFF” (O) (A Pic. 3).

► 6.3. CONNECTING THE ROOM THERMOSTAT (optional):

CAUTION: THE ROOM THERMOSTAT (OPTIONAL) ONLY WORKS WHEN THE HEATER IS POWERED BY THE POWER CABLE.

CAUTION: WHEN THE HEATER IS MANAGED BY THE ROOM THERMOSTAT (OPTIONAL), THE HEATER'S SWITCH-OFF AND ON IS AUTOMATIC.

Remove the plug connected to the heater and connect the room thermostat (optional) (C Pic. 3).

►► 7. FUEL FILTER CLEANING

See Pic. 4

THE FILTER MAY NEED TO BE CLEANED DEPENDING ON THE QUALITY OF THE FUEL USED.

- 7.1. Remove the plug positioned on the tank (A Pic. 4).
- 7.2. Remove the filter from the tank.
- 7.3. Loosen the nut (B Pic. 4).
- 7.4. Remove the filter (C Pic. 4).
- 7.5. Clean the filter with clean fuel; make sure you do not damage it.
- 7.6. Put the filter back in the tank.

►► 9. DISPLAY ERRORS

See B Pic. 3

ERROR	CAUSE	SOLUTION
OPERATION ERROR		
F0	1. The "ON/OFF" switch is turned "ON" (I) when the heater is plugged in	1. After disconnecting the heater, see that the switch is in the "OFF" (O) position, plug the heater in and turn the switch "ON" (I)
PHOTOCELL ERROR		
F1	1. No fuel 2. Fuel is contaminated 3. Photocell is dirty or damaged 4. Fuel filter is dirty 5. Ignition error	1. Turn the switch "OFF" (O), refill the fuel tank 2. Turn the switch "OFF" (O) empty and refill the fuel tank. Clean the filter using clean fuel, do not damage the filter (SEE PARA. 6) 3. Contact the technical service center 4. SEE PARA. 6 5. Contact the technical service center
TEMPERATURE CONTROL SENSOR ERROR		
F2	1. Interrupted cable 2. Sensor is damaged	1. Contact the technical service center 2. Contact the technical service center
THERMOSTAT ERROR		
F3	1. Internal heater overheating 2. Antitilting sensor intervent	1. Turn the heater off, wait until it is cooled down 2. Place the heater on a level and stable surface
INCORRECT VOLTAGE		
F4	1. Incorrect voltage	1. Check voltage of your electric supply system
NO SWITCH-ON AFTER THREE ATTEMPTS		
FF	1. No fuel 2. Dirty fuel filter 3. Dirty or defective photocell 4. Dirty or defective nozzle 5. Anti-tilting sensor trip	1. Contact the technical service center 2. Contact the technical service center 3. Contact the technical service center 4. Contact the technical service center 5. Contact the technical service center
FLAT BATTERY		
PF	1. Flat battery	1. Recharge the battery
HEATER IN STAND-BY		
[]	1. Thermostat connected 2. Switching from cable to battery power supply	1. Thermostat temperature set below the room temperature 2. Automatic re-ignition

►► 8. STORAGE AND TRANSPORT

IN ORDER TO KEEP AND/OR TRANSPORT THE HEATER IN THE BEST WAY, THE FOLLOWING PROCEDURE MUST BE FOLLOWED:

- 8.1. Empty the fuel from the tank.
- 8.2. If you notice any residue, pour clean fuel into the tank and rinse again.
- 8.3. Close the tank cap and dispose of the fuel appropriately according to the Standards in force.
- 8.4. in order to keep the heater in the best way possible, it must be kept on a level surface to prevent the escape of fuel and in a dry place away from any possible external threats.

►► 10. PREVENTIVE MAINTENANCE SCHEDULE

WARNING: BEFORE INITIATING ANY REPAIR OR MAINTENANCE PROCEDURE UNPLUG THE FEEDER CABLE AND MAKE SURE THAT THE HEATER IS COOLED DOWN.

IF THE HEATER IS USED IN PARTICULARLY DUSTY ENVIRONMENTS, MAINTENANCE AND CLEANING MUST BE CARRIED OUT MORE FREQUENTLY.


COMPONENT	MAINTENANCE FREQUENCY	MAINTENANCE PROCEDURE
Fuel tank	Clean every 150-200 hours of operation or when necessary	Empty and rinse with fresh fuel
Nozzle	Clean or replace once per season or when necessary	Contact the technical service center
Photocell	Clean once per season or when necessary	Contact the technical service center
Fuel filter	Clean or replace twice per season or when necessary	Clean the fuel filter with clean fuel
Ignition device	Clean or replace every 1.000 hours of operation, or when necessary	Contact the technical service center
Fan blades	Clean when necessary	Contact the technical service center


►► 11. PROBLEM IDENTIFICATION

PROBLEM	POSSIBLE CAUSE	POSSIBLE SOLUTION
Heater doesn't run	<ol style="list-style-type: none"> 1. Heater blocked 2. The power switch is in the "OFF" (0) position 3. No power 4. Feeder cable unplugged 5. Blocked control card 6. Wrong thermostat setting 7. Temperature sensor override 8. Fuse damaged 	<ol style="list-style-type: none"> 1. Restart the heater 2. Turn the switch "ON" (I) 3A. Plug the feeder cable properly into the socket 3B. Check the power supply network 3C. Contact the technical service center 3D. Flat battery 4. Contact the technical service center 5A. Restart the heater 5B. Identify the display error 5C. Contact the technical service center 6. Calibrate the thermostat by setting it higher than ambient temperature 7A. Wait at least ten minutes then try to run ignition again 7B. Contact the technical service center 8. Contact the technical service center
Motor/pump runs but the flame does not start	<ol style="list-style-type: none"> 1. No fuel 2. Ignition device is dirty 3. Fuel filter is dirty 4. Nozzle is dirty 5. Photocell is dirty, damaged or installed improperly 6. Foreign substances present in the tank 7. Electrodes are used up or placed at an improper distance 	<ol style="list-style-type: none"> 1. Turn off the heater, refill the fuel tank then restart the heater 2. Contact the technical service center 3. Clean the filter using clean fuel 4. Contact the technical service center 5. Contact the technical service center 6. Empty and refill the fuel tank with clean fuel 7. Contact the technical service center
Fan blocked or spins too slowly	<ol style="list-style-type: none"> 1. Engine damaged 	<ol style="list-style-type: none"> 1. Contact the technical service center

IMPORTANTE: LEGGERE E COMPRENDERE QUESTO MANUALE OPERATIVO PRIMA DI EFFETTUARE L'ASSEMBLAGGIO, LA MESSA IN FUNZIONE O LA MANUTENZIONE DI QUESTO RISCALDATORE. L'USO ERRATO DEL RISCALDATORE PUÒ CAUSARE LESIONI GRAVI. CONSERVARE QUESTO MANUALE A TITOLO DI FUTURO RIFERIMENTO.

►► 1. INFORMAZIONI SULLA SICUREZZA (AVVERTENZE)

 **IMPORTANTE:** Questo riscaldatore d'aria è stato progettato per applicazioni professionali mobili e temporanee. Non è destinato all'uso domestico, né al comfort termico delle persone.

 **IMPORTANTE:** Questo apparecchio non è adatto all'uso da parte di persone (incluse bambini) con capacità fisiche, sensoriali e mentali ridotte, o inesperte, a meno che non vengano supervisionate da una persona responsabile per la loro sicurezza. I bambini devono essere controllati, per assicurarsi che non giochino con l'apparecchio.

 **PERICOLO:** L'asfissia da ossido di carbonio può risultare fatale.

I primi sintomi di asfissia da ossido di carbonio assomigliano a quelli dell'influenza, con cefalee, capogiri e/o nausea. Tali sintomi potrebbero essere causati dal funzionamento difettoso del riscaldatore. NEL CASO SI PRESENTASSERO QUESTI SINTOMI, USCIRE IMMEDIATAMENTE ALL'APERTO e far riparare il riscaldatore dal centro assistenza tecnica.

1.1. RIFORNIMENTO:

- 1.1.1. Il personale incaricato del rifornimento, deve essere qualificato ed avere totale dimestichezza con le istruzioni del fabbricante e con la normativa vigente in merito al rifornimento sicuro dei riscaldatori.
- 1.1.2. Usare solamente il tipo di combustibile espressamente specificato sulla targhetta identificativa del riscaldatore.
- 1.1.3. Prima di effettuare il rifornimento, spegnere il riscaldatore, ed attendere che si raffreddi.
- 1.1.4. Le cisterne di magazzinaggio del carburante devono trovarsi in una struttura separata.
- 1.1.5. Tutti i serbatoi del combustibile, devono trovarsi ad una distanza minima di sicurezza dal riscaldatore, secondo norme vigenti.
- 1.1.6. Il combustibile va conservato in locali il cui pavimento non permetta la penetrazione ed il gocciolio dello stesso su fiamme sottostanti, che possano causarne l'accensione.
- 1.1.7. La conservazione del combustibile va effettuata in conformità alla normativa vigente.

1.2. SICUREZZA:

- 1.2.1. Non usare mai il riscaldatore in locali nei quali siano presenti benzina, solventi per vernici o altri vapori altamente infiammabili.
- 1.2.2. Durante l'uso del riscaldatore, attenersi a tutte le ordinanze locali ed alla normativa vigente.
- 1.2.3. I riscaldatori usati in prossimità di teloni, tende o altri materiali simili di copertura, devono essere situati a distanza di sicurezza da essi. Si consiglia anche di usare materiali di copertura di tipo ignifugo.
- 1.2.4. Usare solamente in aree ben ventilate. Predisporre un'apertura adeguata secondo le norme vigenti, allo scopo di immettere aria fresca dall'esterno.
- 1.2.5. Alimentare il riscaldatore solamente con corrente avente tensione e frequenza specificate sulla targhetta identificativa del riscaldatore.
- 1.2.6. Usare solamente prolunghe a tre fili opportunamente collegate a massa.
- 1.2.7. Distanze minime di sicurezza, consigliate, intercorrente tra il riscaldatore e le sostanze infiammabili sono: uscita anteriore = 2,5 m (8 ft); di lato, in alto e sul retro = 1,5 m (5 ft).

- 1.2.8. Porre il riscaldatore caldo, o in funzione, su una superficie stabile e livellata, in modo da evitare i rischi di incendio.
- 1.2.9. Tenere gli animali a distanza di sicurezza dal riscaldatore.
- 1.2.10. Togliere l'alimentazione o la batteria dal riscaldatore, quando non lo si usa.
- 1.2.11. Quando è controllato da un termostato, il riscaldatore può accendersi in qualsiasi momento.
- 1.2.12. Non usare mai il riscaldatore in stanze frequentemente abitate né, in camere da letto.
- 1.2.13. Quando il riscaldatore è caldo, collegato alla rete elettrica, alimentato dalla batteria, in funzione non deve mai essere spostato, maneggiato, rifornito né soggetto ad alcun intervento di manutenzione.
- 1.2.14. Mantenere una adeguata distanza da materiali infiammabili, o termolabili (compreso il cavo di alimentazione) dalle parti calde del riscaldatore.
- 1.2.15. Se il cavo di alimentazione o la batteria divessero risultare danneggiati, devono essere sostituiti dal centro assistenza tecnica, in modo da prevenire ogni rischio (smaltire il materiale danneggiato secondo la normativa vigente).
- 1.2.16. Assicurarsi che il riscaldatore sia spento, prima di collegare il cavo di alimentazione e/o inserire la batteria ricaricabile, in modo da prevenire ogni rischio.
- 1.2.17. Utilizzare solo ed esclusivamente batterie ricaricabili originali esplicitamente previste. L'uso di batterie ricaricabili non previste può provocare danni o pericolo di vita a persone, lesioni, ustioni, esplosioni, elettroshock o avvelenamento.
- 1.2.18. Mantenere un adeguata distanza di sicurezza tra la batteria ricaricabile scollegata e fermagli, monete, chiavi, chiodi, viti e altri piccoli oggetti metallici che potrebbero provocare un eventuale cortocircuito. Un eventuale cortocircuito tra i contatti della batteria ricaricabile può provocare danni o pericolo di vita a persone, lesioni, ustioni, esplosioni, ecc..
- 1.2.19. L'errato impiego della batteria ricaricabile può provocare fuoriuscita di liquido dalla batteria. Evitarne assolutamente il contatto. In caso di contatto accidentale, sciacquare accuratamente con acqua. Rivolgersi immediatamente al medico, qualora il liquido dovesse entrare in contatto con gli occhi. Il liquido fuoriuscito dalla batteria ricaricabile potrà causare irritazioni cutanee o ustioni.
- 1.2.20. L'errato impiego della batteria ricaricabile può provocare fuoriuscita di vapori dalla batteria. Evitarne assolutamente di inalare questi vapori. Far entrare aria fresca e in caso di inalazione accidentale farsi visitare da un medico in caso di disturbi. I vapori possono irritare le vie respiratorie.
- 1.2.21. Al fine di evitare gravi rischi non tentare di aprire/smontare la batteria ricaricabile.
- 1.2.22. Al fine di evitare gravi rischi proteggere la batteria ricaricabile dal calore (per esempio dall'irradiazione solare continuo, dal fuoco, dall'acqua, dall'umidità, ecc.).
- 1.2.23. Utilizzare la batteria ricaricabile specifica esclusivamente con questo riscaldatore al fine di evitare sovraccarichi pericolosi.
- 1.2.24. Utilizzare esclusivamente batterie ricaricabili originali dotate della tensione indicata sulla targhetta dati tecnici del riscaldatore. In caso di impiego di altre batterie ricaricabili (per esempio batterie d'imitazione, batterie rigenerate, batterie di concorrenza, ecc.) esiste il pericolo di lesioni e/o esplosioni.
- 1.2.25. Caricare la batteria ricaricabile solo ed esclusivamente con caricabatteria originali. Ogni batteria necessita dello specifico caricabatteria al fine di evitare rischi d'incendio e di esplosione.
- 1.2.26. Utilizzare solo le modalità di alimentazione elettrica prevista in questo manuale. È vietato cambiare modalità di

alimentazione a riscaldatore in funzione, al fine di evitare gravi danni.

- ▶ 1.2.27. Quando il riscaldatore è gestito dal termostato o si passa dall'alimentazione elettrica a cavo all'alimentazione a batteria, il riscaldatore si potrebbe spegnere e entrare in modalità stand-by (nel display compare la segnalazione "[]"), porre la massima attenzione perchè il riscaldatore potrebbe riaccendersi automaticamente in qualsiasi momento e potrebbe causare gravi danni a cose e a persone.

▶▶ 2. DISIMBALLAGGIO

Vedi Fig. 1

- ▶ 2.1. Rimuovere tutti i materiali di imballaggio usati per confezionare e spedire il riscaldatore e smaltirli secondo le norme vigenti.
- ▶ 2.2. Estrarre tutti gli articoli dall'imballo.
- ▶ 2.3. Controllare eventuali danni subiti durante il trasporto. Se il riscaldatore appare danneggiato, informare immediatamente il concessionario presso il quale è stato acquistato.

▶▶ 3. DESCRIZIONE ARTICOLI

▶ 3.1. CAVO DI ALIMENTAZIONE (dove presente):

IL CAVO DI ALIMENTAZIONE NON HA FUNZIONE DI CARICABATTERIA.

(Fig. 5) Il riscaldatore può funzionare collegato alla rete elettrica tramite il cavo di alimentazione. Verificare periodicamente lo stato del cavo, al fine di evitare gravi danni. Rispettare tutte le avvertenze relative al cavo di alimentazione riportate nel presente manuale.

▶ 3.2. BATTERIA (dove presente):

(Fig. 6)

NOTE: A SECONDA DELLA CAPACITÀ DELLA BATTERIA (MISURATA IN Ah), È NECESSARIO UTILIZZARE UN CARICABATTERIA ORIGINALE E DI ADEGUATA POTENZA.

Il riscaldatore può funzionare in modo autonomo con una batteria ricaricabile originale al Li-ion, senza dove essere collegato alla rete elettrica. La batteria ricaricabile è fornita parzialmente carica e per questo si consiglia di eseguire un ciclo di ricarica completo prima dell'utilizzo della batteria. Utilizzare solo batterie originali per alimentare il riscaldatore. Rispettare tutte le avvertenze relative alla batteria riportate nel presente manuale.

▶ 3.3. CARICABATTERIA (dove presente):

(Fig. 7) Il caricabatteria è progettato per caricare batterie al Li-ion originali. E' necessario rispettare i parametri di funzionamento del caricabatteria (vedi targhetta dati applicata sul caricabatteria). Utilizzare il caricabatteria in luoghi completamente asciutti e protetti dalla polvere, per caricare esclusivamente batterie ricaricabili originali utilizzabili per alimentare questo riscaldatore. Il caricabatteria è predisposto per gestire in automatico il corretto ciclo di ricarica quando la batteria ricaricabile viene collegata (Fig. 8). Un indicatore luminoso posto sul caricabatteria permette di avere una dettagliata diagnostica durante la fase di ricerca (Fig. 9). Rispettare tutte le avvertenze relative alla caricabatteria riportate nel presente manuale.

▶▶ 4. COMBUSTIBILE

AVVERTENZA: Il riscaldatore funziona solo con DIESEL o KEROSENE.

Usare solamente diesel o kerosene, per evitare rischi di incendio o di esplosione. Non fare mai uso di benzina, nafta, solventi per vernici, alcool o altri combustibili altamente infiammabili. Usare additivi antigelo non tossici in caso di temperature molto basse.

▶▶ 5. PRINCIPIO DI FUNZIONAMENTO

Vedi Fig. 2

L'aria necessaria per garantire una corretta combustione viene prodotta dalla rotazione di una ventola interna al bruciatore. Il flusso d'aria esce dal canotto del bruciatore e si miscela con il combustibile che viene polverizzato da un ugello ad una elevata pressione. Il combustibile polverizzato dall'ugello è garantito da una pompa elettrica che aspira il combustibile dal serbatoio e lo spinge ad alta pressione all'ugello.

▶▶ 6. FUNZIONAMENTO

AVVERTENZA: Leggere attentamente le "INFORMAZIONI SULLA SICUREZZA", prima di accendere il riscaldatore.

IMPORTANTE: Dopo la prima mancata accensione del riscaldatore, verificare la presenza di combustibile nel serbatoio, verificare che il filtro del combustibile sia pulito e verificare che il riscaldatore sia posizionato su una superficie piana e stabile.

IMPORTANTE: Il presente dispositivo è un riscaldatore a infrarossi. Riscalda oggetti, non l'aria.

IMPORTANTE: Per cambiare tipologia di alimentazione elettrica da batteria a cavo e viceversa, spegnere il riscaldatore seguendo scrupolosamente tutta la procedura al fine di evitare gravi danni.

▶ 6.1. ACCENSIONE DEL RISCALDATORE:

- ▶ 6.1.1. Seguire tutte le istruzioni relative alla sicurezza.
- ▶ 6.1.2. Controllare la presenza di combustibile nel serbatoio.
- ▶ 6.1.3. Chiudere il tappo del serbatoio.
- ▶ 6.1.4. Collegare la spina di alimentazione alla rete elettrica o la batteria carica (VEDERE TENSIONE IN "TABELLA DATI TECNICI") (Fig. 10-11).
- ▶ 6.1.5. Portare l'interruttore "ON/OFF" in posizione "ON" (I) (A Fig. 3). Il riscaldatore dovrebbe accendersi entro pochi secondi. Se il riscaldatore non si avvia consulta il paragrafo individuazione problema (Parag. 10).

N.B.: IN CASO DI SPEGNIMENTO DEL RISCALDATORE DOVUTO ALL'ESAURIMENTO DEL COMBUSTIBILE, SPEGNERE IL RISCALDATORE, RABBOCCARE IL SERBATOIO E RIACCENDERLO (VEDI PARAG. 5.1.).

▶ 6.2. SPEGNIMENTO DEL RISCALDATORE:

ATTENZIONE: NON TOGLIERE LA TENSIONE O SCOLLEGARE IL CAVO DI ALIMENTAZIONE O RIMUOVERE LA BATTERIA FINO AL COMPLETO RAFFREDDAMENTO DEL RISCALDATORE (circa 5 min.).

- ▶ 6.2.1. Portare l'interruttore "ON/OFF" in posizione "OFF" (0) (A Fig. 3).

▶ 6.3. COLLEGAMENTO TERMOSTATO AMBIENTE (optional):

ATTENZIONE: IL TERMOSTATO AMBIENTE (OPTIONAL) FUNZIONA SOLO IN QUANDO IL RISCALDATORE È ALIMENTATO DAL CAVO DI ALIMENTAZIONE.

ATTENZIONE: QUANDO IL RISCALDATORE È GESTITO DAL TERMOSTATO AMBIENTE (OPTIONAL), LO SPEGNIMENTO E LA RIACCENSIONE DEL RISCALDATORE È AUTOMATICA.

Rimuovere il tappo collegato al riscaldatore e connettere il termostato ambiente (optional) (C Fig. 3).

►► 7. PULIZIA FILTRO COMBUSTIBILE

Vedi Fig. 4

A SECONDA DELLA QUALITA' DEL COMBUSTIBILE CHE VIENE IMPIEGATO, PUO' RENDERSI NECESSARIA LA PULIZIA DEL FILTRO.

- 7.1. Rimuovere il tappo posizionato sul serbatoio (A Fig. 4).
- 7.2. Estrarre il filtro dal serbatoio.
- 7.3. Svitare il dado (B Fig. 4).
- 7.4. Sfilare il filtro (C Fig. 4).
- 7.5. Pulire il filtro con combustibile pulito, facendo attenzione a non danneggiarlo.
- 7.6. Rimontare il filtro nel serbatoio.

►► 8. CONSERVAZIONE E TRASPORTO

AL FINE DI CONSERVARE E/O TRASPORTARE AL MEGLIO IL RISCALDATORE, SI CONSIGLIA DI SEGUIRE LA PROCEDURA SEGUENTE:

- 8.1. Svuotare il serbatoio dal combustibile.
- 8.2. Se si nota la presenza di residui, versare combustibile pulito nel serbatoio e scaricare nuovamente.
- 8.3. Chiudere il tappo del serbatoio e smaltire il combustibile in modo appropriato e secondo le norme vigenti.
- 8.4. Al fine di conservare al meglio il riscaldatore, si consiglia di mantenerlo in posizione livellata, per evitare la fuoriuscita del combustibile e di conservarlo in un luogo asciutto, e al riparo da possibili danni esterni.

►► 9. ERRORI DISPLAY

Vedi B Fig. 3

ERRORE	CAUSA	SOLUZIONE
ERRORE OPERATIVO		
F0	1. L'interruttore "ON/OFF" è in posizione "ON" (I) quando il riscaldatore viene collegato alla rete elettrica	1. Dopo aver scollegato il riscaldatore dalla rete elettrica posizionare l'interruttore in posizione "OFF" (O), ricollegare la spina alla rete elettrica e portare l'interruttore in posizione "ON" (I)
ERRORE FOTOCELLULA		
F1	1. Mancanza combustibile 2. Combustibile sporco 3. Fotocellula sporca o difettosa 4. Filtro combustibile sporco 5. Errore accensione	1. Posizionare l'interruttore in posizione "OFF" (O) e riempire il serbatoio di carburante 2. Posizionare l'interruttore in posizione "OFF" (O), svuotare e riempire il serbatoio di carburante. Pulire il filtro con combustibile pulito, facendo attenzione a non danneggiarlo (VEDI PARAG. 6) 3. Rivolgersi al centro di assistenza 4. VEDI PARAG. 6 5. Rivolgersi al centro di assistenza
ERRORE SENSORE CONTROLLO TEMPERATURA		
F2	1. Terminale interrotto 2. Sensore difettoso	1. Rivolgersi al centro di assistenza 2. Rivolgersi al centro di assistenza
ERRORE TERMOSTATO		
F3	1. Riscaldatore in sovratemperatura interna 2. Intervento sensore antitilting	1. Spegnerne il riscaldatore, ed attendere il completo raffreddamento del riscaldatore 2. Posizionare il riscaldatore su una superficie piana e stabile
TENSIONE NON ADEGUATA		
F4	1. Tensione non adeguata	1. Verificare la corretta tensione del vostro impianto
MANCATA ACCENSIONE PER TRE TENTATIVI		
FF	1. Mancanza combustibile 2. Filtro combustibile sporco 3. Fotocellula sporca o difettosa 4. Ugello sporco o difettoso 5. Intervento sensore antitilting	1. Rivolgersi al centro di assistenza 2. Rivolgersi al centro di assistenza 3. Rivolgersi al centro di assistenza 4. Rivolgersi al centro di assistenza 5. Rivolgersi al centro di assistenza
BATTERIA SCARICA		
PF	1. Batteria scarica	1. Ricaricare la batteria
RISCALDATORE IN STAND-BY		
[]	1. Termostato collegato 2. Passaggio dall'alimentazione a cavo alla batteria	1. Temperatura del termostato impostata sotto la temperatura ambiente 2. Riaccensione automatica

►► 10. PROGRAMMA DI MANUTENZIONE PREVENTIVA

AVVERTENZA: PRIMA SI EFFETTUARE QUALSIASI MANUTENZIONE O RIPARAZIONE, SCOLLEGARE IL CAVO DI ALIMENTAZIONE DALLA RETE ELETTRICA, ED ASSICURARSI CHE IL RISCALDATORE SIA FREDDO.

SE SI UTILIZZA IL RISCALDATORE IN AMBIENTI PARTICOLARMENTE POLVEROSI, È NECESSARIO FARE UNA MANUTENZIONE E UNA PULIZIA PIÙ FREQUENTE.

COMPONENTE	FREQUENZA MANUTENZIONE	PROCEDURA MANUTEZIONE
Serbatoio del combustibile	Pulire ogni 150-200 ore di lavoro o a seconda delle necessità	Svuotare e risciacquare il serbatoio con combustibile pulito
Ugello	Pulire o sostituire una volta per stagione di lavoro o a seconda delle necessità	Rivolgersi al centro di assistenza
Fotocellula	Pulire una volta per stagione di lavoro o a seconda delle necessità	Rivolgersi al centro di assistenza
Filtro del combustibile	Pulire o sostituire due volte per stagione di lavoro o a seconda delle necessità	Pulire il filtro con del combustibile pulito
Accenditore	Pulire o sostituire ogni 1.000 ore di lavoro o a seconda delle necessità	Rivolgersi al centro di assistenza
Pale della ventola	Pulire a seconda delle necessità	Rivolgersi al centro di assistenza

►► 11. INDIVIDUAZIONE PROBLEMA

PROBLEMA	POSSIBILE CAUSA	POSSIBILE SOLUZIONE
Il riscaldatore non parte	<ol style="list-style-type: none">1. Riscaldatore in blocco2. Interruttore in posizione "OFF" (0)3. Mancanza tensione 4. Cavo di alimentazione interrotto5. Scheda di controllo in blocco 6. Impostazione errata del termostato ambiente 7. Limite sensore temperatura intervenuto 8. Fusibile guasto	<ol style="list-style-type: none">1. Spegner e riaccendere il riscaldatore2. Portare l'interruttore in posizione "ON" (I)3A. Inserire correttamente il cavo di alimentazione alla presa di rete elettrica3B. Verificare l'impianto di rete3C. Rivolgersi al centro di assistenza3D. Batteria scarica4. Rivolgersi al centro di assistenza5A. Spegner e riaccendere il riscaldatore5B. Identificare l'errore su display5C. Rivolgersi al centro di assistenza6. Agire sul termostato ambiente, portandolo ad una temperatura superiore a quella dell'ambiente di lavoro7A. Attendere almeno dieci minuti e riprovare la fase di accensione7B. Rivolgersi al centro di assistenza8. Rivolgersi al centro di assistenza
Il motore/pompa parte ma la fiamma non si innesca	<ol style="list-style-type: none">1. Mancanza combustibile2. Accenditore sporco3. Filtro combustibile sporco4. Ugello sporco5. Fotocellula sporca, difettosa o non installata correttamente6. Presenza di sostanze estranee nel serbatoio7. Elettrodi consumati o a distanza errata	<ol style="list-style-type: none">1. Spegner il riscaldatore, rabboccare il serbatoio di combustibile e riaccenderlo2. Rivolgersi al centro di assistenza3. Pulire il filtro con del combustibile pulito4. Rivolgersi al centro di assistenza5. Rivolgersi al centro di assistenza 6. Svuotare e riempire il serbatoio con carburante pulito7. Rivolgersi al centro di assistenza
La ventola è bloccata o gira lentamente	<ol style="list-style-type: none">1. Motore guasto	<ol style="list-style-type: none">1. Rivolgersi al centro di assistenza

WICHTIG: DIESE ANLEITUNG IST VOR DEM BEGINN DER MONTAGE, INBETRIEBNAHME ODER WARTUNGSARBEITEN AN DEM GENERATOR ZU LESEN. UNSACHMÄSSIGE VERWENDUNG DES GENERATORS KANN ZU SCHWEREN VERLETZUNGEN FÜHREN. DIESE ANLEITUNG IST GRIFFBEREICH AUFZUBEWAHREN.

de

►► 1. INFORMATIONEN ZUR SICHERHEIT (WARNHINWEISE)



WICHTIGER HINWEIS: Dieses Luftheizgerät wurde für mobile und temporäre professionelle Anwendungen entwickelt. Es wurde weder für den häuslichen Gebrauch noch für den thermischen Komfort des Menschen entwickelt.



WICHTIGER HINWEIS: Dieses Gerät ist nicht geeignet für den Gebrauch durch Personen (einschließlich Kindern) mit eingeschränkten körperlichen, sensorischen und geistigen Fähigkeiten bzw. ohne ausreichende Fachkenntnis, es sei denn, sie werden durch eine für ihre Sicherheit verantwortliche Person beaufsichtigt. Kinder sind zu beaufsichtigen, damit sie nicht mit dem Gerät spielen.



GFAHR: Ersticken durch Kohlenmonoxid kann tödlichen Ausgang haben.

Die ersten Anzeichen einer Kohlenmonoxidvergiftung sind denen von Grippe mit Kopfschmerzen, Schwindel bzw. Übelkeit ähnlich. Diese Symptome können auf eine Betriebsstörung des Heizgeräts zurückzuführen sein. SOLLTEN DIESE SYMPTOME AUFTRETEN, SOFORT INS FREIE GEHEN und das Heizgerät durch den Kundendienst reparieren lassen.

1.1. NACHFÜLLEN DES BRENNSTOFFS:

- 1.1.1. Das Nachfüllen des Brennstoffs ist ausgebildetem Personal vorbehalten, das mit den Anleitungen des Herstellers und mit den geltenden Gesetzen bezüglich des sicheren Nachfüllens der Heizgeräte voll vertraut ist.
- 1.1.2. Ausschließlich die Brennstoffsorte verwenden, die auf dem am Heizgerät angebrachten Typenschild angegeben ist.
- 1.1.3. Vor dem Auffüllen das Heizgerät ausschalten und warten, bis es abgekühlt ist.
- 1.1.4. Die Brennstofflagerbehälter müssen sich in einem separaten Gebäude befinden.
- 1.1.5. Alle Brennstofftanks müssen sich gemäß geltenden Vorschriften in einem sicheren Abstand vom Heizgerät befinden.
- 1.1.6. Der Brennstoff ist in Räumen zu lagern, deren Fußböden so abgedichtet sind, dass ein Eindringen und Tropfen des Brennstoffs auf offene Flammen darunter nicht möglich ist, denn dadurch könnte es zum Entzünden des Brennstoffs kommen.
- 1.1.7. Für Aufbewahrung des Brennstoffes sind die geltenden Normen zu befolgen.

1.2. SICHERHEIT:

- 1.2.1. Das Heizgerät niemals in Räumen benutzen, in denen sich Benzin, Lösungsmittel für Farben oder andere hoch entzündliche Dämpfe befinden.
- 1.2.2. Während des Betriebs des Heizgeräts sind alle örtlichen Bestimmungen und geltenden Vorschriften zu beachten.
- 1.2.3. Beim Betrieb der Geräte ist ein Sicherheitsabstand von Planen, Vorhängen oder ähnlichen Materialien einzuhalten. Es wird auch empfohlen, Abdeckungen aus nicht brennbarem Material zu verwenden.
- 1.2.4. Ausschließlich in gut belüfteten Räumen verwenden. Es ist eine nach den geltenden Vorschriften ausreichende Öffnung für die Zuführung von Frischluft von außen vorzusehen.
- 1.2.5. Die Stromversorgung des Heizgeräts muss die auf dessen Typenschild angegebene Spannung und Frequenz aufweisen.
- 1.2.6. Nur dreidrigge, ordnungsgemäß geerdete Verlängerungskabel benutzen.

- 1.2.7. Empfohlene Mindest-Sicherheitsabstände zwischen Heizgerät und brennbaren Stoffen: Vorderseite = 2,5 m (8 ft.); seitlich, oben und hinten = 1,5 m (5 ft.).
- 1.2.8. Das Heizgerät muss, wenn es heiß oder in Betrieb ist, auf einer stabilen und ebenen Fläche stehen, um Brandgefahr zu vermeiden.
- 1.2.9. Halten Sie Haustiere in einem sicheren Abstand vom Gerät.
- 1.2.10. Die Versorgung oder die Batterie vom Heizgerät trennen, wenn es nicht verwendet wird.
- 1.2.11. Bei Steuerung durch einen Thermostat kann das Heizgerät in jedem beliebigen Moment eingeschaltet werden.
- 1.2.12. Benutzen Sie das Heizgerät niemals in stark frequentierten Wohnräumen und in Schlafzimmern.
- 1.2.13. Wenn das Heizgerät heiß, an das Stromnetz angeschlossen oder batteriebetrieben und in Betrieb ist, darf es niemals bewegt, gehandhabt, aufgefüllt oder gewartet werden.
- 1.2.14. Zwischen brennbaren bzw. wärmeempfindlichen Stoffen (einschließlich des Netzkabels) und den heißen Teilen des Heizgeräts ist ein ausreichender Abstand einzuhalten.
- 1.2.15. Wenn das Stromversorgungskabel oder die Batterie beschädigt sind, müssen sie von einem Kundendienstzentrum ausgetauscht werden, um allen Risiken vorzubeugen (das beschädigte Material muss den geltenden Normen gemäß entsorgt werden).
- 1.2.16. Vor dem Anschluss des Versorgungskabels und/oder Einschalten der aufladbaren Batterie sicherstellen, dass das Heizgerät ausgeschaltet ist, um Gefahrensituationen vorzubeugen.
- 1.2.17. Ausschließlich die originalen und eigens vorgesehenen aufladbaren Batterien verwenden. Die Verwendung anderer als die vorgesehenen Batterien kann zu selbst lebensgefährlichen Verletzungen an Personen führen, die durch Verbrennungen, Abschürfungen, Explosionen, Elektroschocks oder Vergiftungen hervorgerufen werden.
- 1.2.18. Klammern, Hartgeld, Schlüssel, Nägel, Schrauben und andere Metallgegenstände dürfen der aufladbaren Batterie nicht nahe kommen, da sie Kurzschluss bewirken könnten. Ein eventueller Kurzschluss zwischen den Batteriekontakten kann zu selbst lebensgefährlichen Verletzungen an Personen führen, die durch Verbrennungen, Explosionen usw. hervorgerufen werden.
- 1.2.19. Eine fehlerhafte Anwendung der aufladbaren Batterie kann Leckagen der Batterieflüssigkeit bewirken. Der Kontakt mit der Flüssigkeit ist unbedingt zu vermeiden. Im Falle eines versehentlichen Kontakts reichlich mit Wasser spülen. Bei Kontakt der Flüssigkeit mit den Augen unverzüglich einen Arzt rufen. Die ausgeflossene Batterieflüssigkeit kann Hautreizungen oder Verbrennungen verursachen.
- 1.2.20. Eine fehlerhafte Anwendung der aufladbaren Batterie kann Leckagen der Batteriedämpfe bewirken. Diese Dämpfe dürfen nicht eingeatmet werden. Bei versehentlichem Einatmen sofort frische Luft eintreten lassen und im Falle von Beschwerden einen Arzt aufsuchen. Die Dämpfe können die Atemwege irritieren.
- 1.2.21. Um keine schweren Risiken einzugehen die aufladbare Batterie weder zu öffnen noch zu demontieren versuchen.
- 1.2.22. Um keine schweren Risiken einzugehen die aufladbare Batterie vor Hitze schützen (z.B. andauernde Sonneneinstrahlung, Feuer, Wasser, Feuchtigkeit usw.).
- 1.2.23. Die spezifische aufladbare Batterie ausschließlich für dieses Heizgerät verwenden, um gefährliche Überlastungen zu vermeiden.
- 1.2.24. Ausschließlich originale aufladbare Batterien verwenden, deren Spannung den technischen Daten des Geräteschildes entspricht. Bei Verwendung anderer aufladbarer Batterien (z.B. gefälschte Batterien, regenerierte Batterien, Batterien der Konkurrenz usw.) besteht die Möglichkeit von Verletzungen und/oder Explosionen.

- ▶ 1.2.25. Die aufladbare Batterie ausschließlich unter Verwendung von Original-Ladegeräten aufladen. Für jede Batterie ist das spezifische Ladegerät zu verwenden, um Brand- oder Explosionsgefahr zu vermeiden.
- ▶ 1.2.26. Ausschließlich den in diesem Handbuch vorgesehenen Modus der elektrischen Versorgung anwenden. Der Wechsel des Versorgungsmodus darf nie bei in Betrieb stehendem Gerät ausgeführt werden, um schwere Schäden zu vermeiden.
- ▶ 1.2.27. Wenn das Heizgerät durch einen Thermostat gesteuert wird, oder wenn man von Stromversorgung auf Batterie übergeht, könnte sich das Heizgerät ausschalten oder auf Standby übergehen (auf dem Display erscheint dann die Meldung "[]"), sehr gut aufpassen, denn das Heizgerät könnte sich jederzeit wieder automatisch einschalten und schwere Schäden an Personen und Sachen bewirken.

▶▶ 2. AUSPACKEN

Siehe Abb. 1

- ▶ 2.1. Alle für Verpackung und Versand des Heizgeräts verwendeten Materialien müssen entfernt und vorschriftsgemäß entsorgt werden.
- ▶ 2.2. Nehmen Sie alle Artikel aus der Verpackung.
- ▶ 2.3. Kontrollieren, ob Transportschäden vorliegen. Wenn das Heizgerät beschädigt ist, sofort den Vertragshändler informieren, bei dem es erworben wurde.

▶▶ 3. BESCHREIBUNG DER ARTIKEL

▶ 3.1. NETZKABEL (falls vorhanden):

DAS NETZKABEL DIENST NICHT ALS LADEGERÄT.

(Abb. 5) Das Heizgerät funktioniert auch durch Anschluss des Versorgungskabels an das Stromnetz. Das Stromversorgungskabel regelmäßig überprüfen, um schwere Schäden zu vermeiden. Die in diesem Handbuch enthaltenen Hinweise bezüglich des Stromversorgungskabels beachten.

▶ 3.2. BATTERIE (wo vorhanden):

(Abb. 6)

ANMERKUNGEN: JE NACH DER GRÖSSE DER BATTERIE (MASSANGABEN IN Ah) MUSS EIN ORIGINALES BATTERIELADEGERÄT MIT ANGEMESSENER LEISTUNG BENUTZT WERDEN.

Das Heizgerät funktioniert autonom mit einer originalen Li-Ion Batterie ohne Anschluss an das Stromnetz. Die aufladbare Batterie wird mit einer Teilladung geliefert, es ist daher empfehlenswert, sie vor der Verwendung vollständig zu laden. Zur Versorgung des Heizgeräts nur Original-Batterien verwenden. Die in diesem Handbuch enthaltenen Hinweise bezüglich der Batterie beachten.

▶ 3.3. LADEGERÄT (wo vorhanden):

(Abb. 7) Das Batterieladegerät wurde zum Aufladen von originalen Li-ion-Batterien entwickelt. Es ist unabdingbar, dass die Betriebsparameter des Ladegeräts beachtet werden (vgl. hierzu das Schild am Ladegerät). Das Ladegerät in einer vollständig trockenen und staubfreien Umgebung ausschließlich zum Laden der aufladbaren Original-Batterien benutzen, die zur Versorgung dieses Heizgeräts verwendbar sind. Das Ladegerät ist so ausgelegt, dass es nach Anschließen an die Batterie einen ordnungsgemäßen Ladezyklus automatisch steuert (Abb. 8) betätigen. Am Ladegerät ist eine Leuchtanzeige angebracht, die eine genaue Diagnose während des Aufladevorgangs ermöglicht (Abb. 9). Die in diesem Handbuch enthaltenen Hinweise bezüglich des Batterieladegeräts beachten.

▶▶ 4. BRENNSTOFF

WARNUNG: Das Heizgerät funktioniert ausschließlich mit DIESEL oder PETROLEUM.

Nur Diesel oder Petroleum verwenden, um Brand- oder Explosionsrisiken zu vermeiden. Benutzen Sie niemals Benzin, Heizöl,

Lösungsmittel für Farben, Alkohol oder andere hoch entzündliche Brennstoffe.

Verwenden Sie bei sehr niedrigen Temperaturen ungiftige Frostschutzzusätze.

▶▶ 5. FUNKTIONSGRUNDSATZ

Siehe Abb. 2

Die für eine korrekte Verbrennung notwendige Luft wird durch Drehen eines im Brenner befindlichen Flügelrades erzeugt. Der Luftstrom tritt durch die Pinole des Brenners aus und wird mit dem Brennstoff vermischt, der durch eine Düse mit hohem Druck zerstäubt wird. Der durch die Düse zerstäubte Brennstoff wird durch eine Elektropumpe garantiert, die den Brennstoff aus dem Tank ansaugt und ihn mit hohem Druck zur Düse leitet.

▶▶ 6. BETRIEB

WARNUNG: Vor dem Einschalten/Zünden des Heizgerätes sind die "SICHERHEITSHINWEISE" aufmerksam durchzulesen.

WICHTIGER HINWEIS: Nach dem ersten Zündversager des Heizelements prüfen, ob sich Brennstoff im Behälter befindet. Kontrollieren, ob der Brennstofffilter sauber ist und das Heizelement auf einer ebenen und stabilen Fläche abgestellt ist.

WICHTIGER HINWEIS: Die vorliegende Vorrichtung ist ein Infrarot-Heizgerät. Sie heizt Gegenstände, nicht die Luft.

WICHTIGER HINWEIS: Um die Art der Versorgung von Batterie auf Netzstrom und umgekehrt zu wechseln, das Heizgerät ausschalten und dabei alle Verfahren streng beachten, um schwere Schäden zu vermeiden.

▶ 6.1. INBETRIEBNAHME DES HEIZGERÄTS:

- ▶ 6.1.1. Beachten Sie sämtliche Sicherheitshinweise.
- ▶ 6.1.2. Kontrollieren Sie, ob sich Brennstoff im Tank befindet.
- ▶ 6.1.3. Schließen Sie den Tankdeckel.
- ▶ 6.1.4. Den Netzversorgungsstecker oder die aufgeladene Batterie anschließen (SIEHE SPANNUNG IN „TABELLE DER TECHNISCHEN DATEN“) (Abb. 10-11).
- ▶ 6.1.5. Den „EIN/AUS“-Schalter auf „EIN“ (!) stellen (A Abb. 3). Das Heizgerät sollte sich innerhalb weniger Sekunden einschalten. Wenn das Heizgerät nicht startet, den Abschnitt zur Ermittlung des Problems einsehen (Abschn. 10).

ANM.: SOLLTE DAS HEIZGERÄT AUSGEHEN, WEIL DER BRENNSTOFF AUFGEBRAUCHT IST, DAS HEIZGERÄT AUSSCHALTEN, DEN TANK AUFFÜLLEN UND ES DANN WIEDER EINSCHALTEN (SIEHE ABSCHN. 5.1.).

▶ 6.2. ABSCHALTEN DES HEIZGERÄTS:

ACHTUNG: DIE SPANNUNG ODER DAS STROMVERSORGUNGSKABEL NICHT TRENNEN ODER DIE BATTERIE NICHT ENTFERNEN, BEVOR DAS HEIZGERÄT KOMPLETT ABGEKÜHLT IST (circa 5 Minuten).

- ▶ 6.2.1. Den Schalter „EIN/AUS“-Schalter auf „AUS“ (0) stellen (A Abb. 3).

▶ 6.3. ANSCHLUSS RAUMTHERMOSTAT (optional):

ACHTUNG: DER RAUMTHERMOSTAT (OPTIONAL) FUNKTIONIERT NUR, WENN DAS HEIZGERÄT MIT DEM STROMVERSORGUNGSKABEL GESPEIST WIRD.

ACHTUNG: WENN DAS HEIZGERÄT ÜBER DEN RAUMTHERMOSTAT GESTEUERT WIRD (OPTIONAL), ERFOLGT DAS AUSSCHALTEN UND ERNEUTE EINSCHALTEN DES HEIZGERÄTS AUTOMATISCH.

Den am Heizgerät angebrachten Deckel entfernen und den

Raumthermostat (optional) anschließen (C Abb. 3).

►►7. REINIGUNG DES BRENNSTOFFFILTERS

Siehe Abb. 4

JE NACH QUALITÄT DES EINGESETZTEN BRENNSTOFFS KANN EINE REINIGUNG DES FILTERS NOTWENDIG WERDEN:

- 7.1. Den auf dem Tank positionierten Deckel entfernen (A Abb. 4).
- 7.2. Den Filter aus dem Tank herausziehen.
- 7.3. Die Mutter aufschrauben (B Abb. 4).
- 7.4. Den Filter herausziehen (C Abb. 4).
- 7.5. Den Filter mit sauberem Brennstoff reinigen und dabei aufpassen, dass er nicht beschädigt wird.
- 7.6. Den Filter wieder in den Tank montieren.

►►8. UMGANG UND TRANSPORT UM DAS HEIZGERÄT AM BESTEN ZU LAGERN BZW. ZU TRANSPORTIEREN, SOLLTE NACH DEM FOLGENDEN VERFAHREN VORGEGANGEN WERDEN:

- 8.1. Den Brennstofftank entleeren.
- 8.2. Sollten Reste zurückbleiben, sauberen Brennstoff in den Tank gießen und erneut abfließen lassen.
- 8.3. Tankdeckel schließen und Brennstoff in geeigneter Weise und vorschriftsgemäß entsorgen.
- 8.4. Das Heizgerät sollte am besten in gerader Stellung gelagert werden, um das Austreten von Brennstoff zu vermeiden, sowie an einem trockenen Ort, geschützt vor externen Beschädigungen.

►►9. FEHLER DER ANZEIGE

Siehe B Abb. 3

FEHLER	URSACHE	LÖSUNG
BETRIEBSFEHLER		
F0	1. "ON/OFF"-Schalter ist in der „ON“ (I)-Stellung, wenn der Generator an die Netzversorgung angeschlossen wird	1. Nach Trennung des Generators von der Netzversorgung den Schalter in die "OFF" (0)-Stellung bringen, den Stecker wieder an Netz anschließen und den Schalter in die "ON" (I)-Stellung bringen
FEHLER FOTOZELLE		
F1	1. Kraftstoffmangel 2. Kraftstoff verunreinigt 3. Fotozelle verunreinigt oder beschädigt 4. Kraftstofffilter verunreinigt 5. Zündungsfehler	1. Den Schalter in die "OFF" (0)-Stellung bringen, den Behälter mit Kraftstoff auffüllen 2. Den Schalter in die "OFF" (0)-Stellung bringen, Kraftstoff ablassen und dann den Behälter wieder auffüllen. Den Filter mit sauberem Kraftstoff reinigen, dabei achten, dass der Filter nicht beschädigt wird (SIEHE ABSCHNITT 6) 3. Service-Zentrum anrufen 4. SIEHE ABSCHNITT 6 5. Service-Zentrum anrufen
FEHLER TEMPERATURSENSOR		
F2	1. Kabel unterbrochen 2. Sensor defekt	1. Service-Zentrum anrufen 2. Service-Zentrum anrufen
FEHLER THERMOSTAT		
F3	1. Innere Überhitzung des Generators 2. Sensor Umkippsicherung	1. Generator ausschalten und abwarten, bis er abkühlt 2. Den Ofen auf einer ebenen und stabilen Oberfläche positionieren
UNGEEIGNETE SPANNUNG		
F4	1. Ungeeignete spannung	1. Die korrekte Spannung Ihrer Stromanlage überprüfen
DREIFACHES ZÜNDVERSAGEN		
FF	1. Kein Brennstoff vorhanden 2. Brennstofffilter verschmutzt 3. Fotozelle verschmutzt oder defekt 4. Düse verschmutzt oder defekt 5. Antitilting-Sensor ausgelöst	1. Service-Zentrum anrufen 2. Service-Zentrum anrufen 3. Service-Zentrum anrufen 4. Service-Zentrum anrufen 5. Service-Zentrum anrufen
BATTERIE LEER		
PF	1. Batterie leer	1. Die Batterie laden
HEIZGERÄT IN STANDBY		
[]	1. Thermostat angeschlossen 2. Übergang von Kabelversorgung zu Batteriebetrieb	1. Temperatur des Thermostats unterhalb der Raumtemperatur eingestellt 2. Automatische erneute Einschaltung

►► 10. TERMINPLAN DER VORSORGEWARTUNG

HINWEIS: VOR DEM BEGINN VON WARTUNGS- ODER INSTANDSETZUNGSTÄTIGKEITEN DIE VERSOR- GUNGSLEITUNG VOM NETZ TRENNEN UND SICHERSTELLEN, DASS DER GENERATOR ABGEKÜHLT IST.

WENN DAS HEIZGERÄT IN SEHR STAUBIGER UMGEBUNG EINGESETZT WIRD, MUSS ES ÖFTERS GEWARTET UND GEREINIGT WERDEN.

de

BAUTEIL	MÖGLICHE URSACHE	MÖGLICHE LÖSUNG
Kraftstoffbehälter	Alle 150-200 Betriebsstunden oder bei Bedarf reinigen	Behälter entleeren und mit sauberen Kraftstoff spülen
Düse	Mindestens einmal pro Betriebssaison oder bei Bedarf reinigen oder ersetzen	Service-Zentrum anrufen
Fotozelle	Einmal pro Betriebssaison oder nach Bedarf rei- nigen	Service-Zentrum anrufen
Kraftstofffilter	Zweimal pro Betriebssaison oder nach Bedarf reinigen oder ersetzen	Kraftstofffilter mit sauberen Kraftstoff reinigen
Zündeinrichtung	Alle 1.000 Betriebsstunden oder nach Bedarf rei- nigen oder ersetzen	Service-Zentrum anrufen
Rotorschaukel	Nach Bedarf reinigen	Service-Zentrum anrufen


►► 11. STÖRUNGSSUCHE


STÖRUNG	MÖGLICHE URSACHE	MÖGLICHE LÖSUNG
Generator startet nicht	<ol style="list-style-type: none"> 1. Generator gesperrt 2. Schalter in der "OFF" (0)-Stellung 3. Keine Spannung 4. Versorgungsleitung getrennt 5. Steuerungskarte gesperrt 6. Falsche Thermostat-Einstellung 7. Ansprechen des Temperatursensors 8. Defekte Sicherung 	<ol style="list-style-type: none"> 1. Generator aus- und wieder einschalten 2. Schalter in die "ON" (I)-Stellung bringen 3A. Die Versorgungsleitung korrekt an die Buchse der Netzversorgung anschließen 3B. Versorgungsnetz prüfen 3C. Service-Zentrum anrufen 3D. Batterie leer 4. Service-Zentrum anrufen 5A. Generator aus- und wieder einschalten 5B. Fehler an der Anzeige feststellen 5C. Service-Zentrum anrufen 6. Thermostat justieren und entsprechend einstellen, die Höchsttemperatur muss höher als Umgebungs- temperatur sein. 7A. Abwarten mindestens 10 Minuten und dann erneut versuchen in die Zündphase zu wechseln 7B. Service-Zentrum anrufen 8. Service-Zentrum anrufen
Motor/Pumpe startet, aber die Flamme wird nicht gezündet	<ol style="list-style-type: none"> 1. Kraftstoffmangel 2. Zündgerät verunreinigt 3. Kraftstoff verunreinigt 4. Düse verunreinigt 5. Fotozelle verunreinigt, defekt oder falsch eingesetzt 6. Fremdkörper im Behälter 7. Elektroden verbraucht oder im falschen Abstand 	<ol style="list-style-type: none"> 1. Generator ausschalten, Behälter mit Kraftstoff auffüllen und erneut Generator einschalten 2. Service-Zentrum anrufen 3. Filter mit sauberem Kraftstoff reinigen 4. Service-Zentrum anrufen 5. Service-Zentrum anrufen 6. Behälter entleeren und mit sauberem Kraftstoff auffüllen 7. Service-Zentrum anrufen
Rotor ist versperrt oder rotiert zu langsam	<ol style="list-style-type: none"> 1. Motor defekt 	<ol style="list-style-type: none"> 1. Service-Zentrum anrufen


IMPORTANTE: HAY QUE LEER EL PRESENTE MANUAL DE INSTRUCCIONES ANTES DE EMPEZAR LA INSTALACIÓN, ENCENDIDO O EL MANTENIMIENTO DEL GENERADOR. LA UTILIZACIÓN INCORRECTA DEL GENERADOR PUEDE CAUSAR IMPORTANTES DAÑOS. HAY QUE GUARDAR ESTE MANUAL PARA SUS FUTURAS CONSULTAS.

es

►► 1. INFORMACIONES SOBRE LA SEGURIDAD (ADVERTENCIAS)

 **IMPORTANTE:** Este generador de aire caliente ha sido diseñado para aplicaciones profesionales móviles y temporales. No ha sido diseñado para uso doméstico ni para el bienestar térmico de las personas.

 **IMPORTANTE:** Este aparato no es apto para que lo usen personas (incluidos los niños) con capacidades físicas, sensoriales y mentales reducidas, o inexpertas, a no ser que estén vigilados por una persona responsable por su seguridad. Los niños deben estar bajo control, para asegurarse de que no jueguen con el equipo.

 **PELIGRO:** El monóxido de carbono puede provocar asfixia de forma mortal.

Los primeros síntomas de asfixia por óxido de carbono se asemejan a los de la gripe, con cefaleas, mareos y/o náuseas. Estos síntomas podrían ser ocasionados por el funcionamiento defectuoso del calentador. **SI SE PRESENTAN ESTOS SÍNTOMAS, SALGA INMEDIATAMENTE AL AIRE LIBRE** y haga reparar el calentador por el centro de asistencia técnica.

1.1. ABASTECIMIENTO:

- 1.1.1. El personal encargado del abastecimiento debe ser personal cualificado y estar totalmente familiarizado con las instrucciones del fabricante y con la normativa vigente en materia del abastecimiento seguro de los calentadores.
- 1.1.2. Use únicamente el tipo de combustible que se especifica expresamente en la placa de identificación del calentador.
- 1.1.3. Antes de efectuar el abastecimiento, apague el calentador y espere hasta que se enfríe.
- 1.1.4. Las cisternas de almacenamiento de carburante deben encontrarse en una estructura separada.
- 1.1.5. Todos los depósitos de combustible deben encontrarse a una distancia de seguridad mínima del calentador, según las normas vigentes.
- 1.1.6. El combustible debe conservarse en locales cuyo suelo no permita la penetración y el goteo de dicho combustible sobre llamas subyacentes, capaces de ocasionar el encendido de estas.
- 1.1.7. La conservación del combustible debe efectuarse según la normativa vigente.

1.2. SEGURIDAD:

- 1.2.1. Nunca utilice el calentador en locales con presencia de gasolina, disolventes para pinturas u otros vapores altamente inflamables.
- 1.2.2. Durante el uso del calentador, respete todas las ordenanzas locales y la normativa vigente.
- 1.2.3. Los calentadores utilizados en las cercanías de lonas, cortinas u otros materiales similares de cobertura, deben estar situados a una distancia de seguridad de dichos materiales. Se aconseja además utilizar materiales de cobertura de tipo ignífugo.
- 1.2.4. Utilícelo únicamente en áreas bien ventiladas. Prevea una abertura adecuada según las normas vigentes, para permitir la entrada de aire fresco desde el exterior.
- 1.2.5. Alimente el calentador únicamente con corriente con la tensión y la frecuencia especificadas en la placa de identificación del calentador.

- 1.2.6. Utilice únicamente prolongaciones de tres cables adecuadamente conectadas a masa.
- 1.2.7. Las distancias mínimas de seguridad, aconsejadas, existentes entre el calentador y las sustancias inflamables son: salida delantera = 2,5 m (8 ft.); de lado, en alto y en la parte trasera = 1,5 m (5 ft.).
- 1.2.8. Coloque el calentador caliente, o en funcionamiento, sobre una superficie estable y nivelada, para evitar riesgos de incendio.
- 1.2.9. Mantenga los animales a una distancia de seguridad del calentador.
- 1.2.10. Desconecte la alimentación o la batería del calentador cuando no lo use.
- 1.2.11. El calentador puede encenderse en cualquier momento cuando esté controlado por un termostato.
- 1.2.12. Nunca utilice el calentador en habitaciones frecuentemente habitadas ni en dormitorios.
- 1.2.13. Cuando el calentador esté caliente, conectado a la red eléctrica conectado a la batería, en funcionamiento, nunca lo desplace, lo manipule ni lo abastezca, ni tampoco realice ninguna intervención de mantenimiento sobre este.
- 1.2.14. Mantenga una distancia adecuada de las partes calientes del calentador con los materiales inflamables o termolábiles (incluido el cable de alimentación).
- 1.2.15. Si el cable de alimentación o la batería se dañan, debe sustituirlos el centro de asistencia técnica, para prevenir cualquier riesgo (elimine el material dañado en base a la normativa vigente).
- 1.2.16. Asegúrese de que el calentador esté apagado, antes de conectar el cable de alimentación y/o introducir la batería recargable, para prevenir cualquier tipo de riesgo.
- 1.2.17. Utilice única y exclusivamente baterías recargables originales explícitamente previstas. El uso de baterías recargables no previstas puede provocar daños o peligros para las personas, lesiones, quemaduras, explosiones, descargas eléctricas o envenenamientos.
- 1.2.18. Mantenga una distancia de seguridad adecuada entre la batería recargable desconectada y pasadores, monedas, llaves, clavos, tornillos y otros objetos pequeños metálicos que podrían provocar un cortocircuito. Un cortocircuito entre los contactos de la batería recargable puede provocar daños o peligros para la vida de las personas, así como lesiones, quemaduras, explosiones, etc..
- 1.2.19. El uso erróneo de la batería recargable puede provocar fugas de líquido de la batería. Evite el contacto. En caso de contacto accidental, lávese abundantemente con agua. Consulte de inmediato a un médico, si el líquido ha entrado en contacto con sus ojos. Si la batería pierde líquido, este último puede provocar irritaciones cutáneas o quemaduras.
- 1.2.20. El uso incorrecto de la batería recargable puede provocar la salida de vapores de la batería. Evite a cualquier costa inhalar estos vapores. Deje entrar aire fresco y, en caso de inhalación accidental, visite a un médico. Los vapores pueden irritar las vías respiratorias.
- 1.2.21. Para evitar riesgos graves, no intente abrir/desmontar la batería recargable.
- 1.2.22. Para evitar riesgos graves, proteja la batería recargable del calor (por ejemplo, de la luz solar continua, del fuego, del agua, de la humedad, etc.).
- 1.2.23. Utilice la batería recargable específica exclusivamente con este calentador para evitar sobrecargas peligrosas.
- 1.2.24. Utilice exclusivamente baterías recargables originales con la tensión indicada en la placa de datos técnicos del calentador. Si utiliza otro tipo de baterías recargables

(por ejemplo, baterías de imitación, baterías regeneradas, baterías de la competencia, etc.) existe el peligro de lesiones y/o explosiones.

- ▶ 1.2.25. Cargue la batería recargable única y exclusivamente cargadores de baterías originales. Cada batería necesita su cargador específico para evitar riesgos de incendio y de explosión.
- ▶ 1.2.26. Utilice solo las modalidades de alimentación eléctrica previstas en este manual. Está prohibido cambiar la modalidad de alimentación con el calentador en funcionamiento, para evitar daños graves.
- ▶ 1.2.27. Cuando el calentador se gestiona con el termostato o se pasa de la alimentación eléctrica a la de batería, el calentador se puede apagar y puede entrar en modalidad stand-by (aparece en la pantalla la señal "[]"), ponga la máxima atención porque puede que el calentador se encienda de nuevo automáticamente en cualquier momento y esto puede provocar graves daños a cosas y a las personas.

▶▶ 2. DESEMBALAJE

Vea Fig. 1

- ▶ 2.1. Retire todos los materiales del embalaje utilizados para embalar y expedir el calentador y elimínelos según las normas vigentes.
- ▶ 2.2 Saque todos los artículos del embalaje.
- ▶ 2.3 Controle posibles daños durante el transporte. Si el calentador estuviera dañado, informe inmediatamente al concesionario donde lo ha comprado.

▶▶ 3. DESCRIPCIÓN DE LOS ARTÍCULOS

▶ 3.1. CABLE DE ALIMENTACIÓN (donde esté presente): EL CABLE DE ALIMENTACIÓN NO DEBE SER UTILIZADO COMO CARGADOR DE BATERÍAS.

(Fig. 5) El calentador puede funcionar conectado a la red eléctrica mediante el cable de alimentación. Compruebe periódicamente el estado del cable, para evitar daños graves. Respete todas las advertencias acerca del cable de alimentación, referidas en este manual.

▶ 3.2. BATERÍA (de estar presente):

(Fig. 6)

NOTAS: EN BASE A LA CAPACIDAD DE LA BATERÍA (MEDIDA EN Ah) ES NECESARIO USA UN CARGADOR DE BATERÍAS ORIGINAL Y CON LA POTENCIA ADECUADA.

El calentador puede funcionar de forma autónoma con una batería recargable original de Litio-ión, sin necesidad de conectarlo a la red eléctrica. La batería recargable se suministra parcialmente cargada y por ello, se aconseja ejecutar un ciclo de recarga completo antes de su uso. Utilice solo baterías originales para alimentar el calentador. Respete todas las advertencias acerca de la batería referidas en este manual.

▶ 3.3. CARGADOR DE BATERÍAS (cuando esté presente):

(Fig. 7) El cargador de baterías ha sido proyectado para recargar las baterías de Litio-ión originales. Es necesario respetar los parámetros de funcionamiento del cargador de baterías (véase la placa de datos fijada en el cargador). Utilice el cargador de baterías en lugares completamente secos y protegidos del polvo, para cargar exclusivamente baterías recargables originales idóneas para alimentar este aparato. El cargador de baterías está preparado para gestionar de forma automática el ciclo de carga correcto cuando la batería recargable se conecta (Fig. 8). Un indicador luminoso ubicado en el cargador de baterías permite disponer de un diagnóstico detallado durante la fase de búsqueda (Fig. 9). Respete todas las advertencias acerca del cargador de baterías referidas en este manual.

▶▶ 4. COMBUSTIBLE

ADVERTENCIA: El calentador funciona solo con DIÉSEL o QUEROSENO.

Use únicamente diésel o queroseno, para evitar riesgos de incendio o de explosión. Nunca utilice gasolina, nafta, disolventes para pinturas, alcohol u otros combustibles altamente inflamables.

Use aditivos antihielo no tóxicos en caso de temperaturas muy bajas.

▶▶ 5. PRINCIPIOS DE FUNCIONAMIENTO

Vea Fig. 2

El aire necesario para garantizar una combustión correcta, se produce con la rotación de un ventilador interno que lleva el quemador. El flujo de aire sale del conducto del quemador y se mezcla con el combustible, que se rocía con una boquilla a alta presión. El combustible rociado por la boquilla está asegurado gracias a una bomba eléctrica, que aspira el combustible desde el depósito y lo empuja a la boquilla, a alta presión.

▶▶ 6. FUNCIONAMIENTO

ADVERTENCIA: Lea atentamente la "INFORMACIÓN DE SEGURIDAD" antes de encender el calentador.

IMPORTANTE: Después del primer fallo del encendido del calentador, compruebe la presencia de combustible en el depósito, compruebe que el filtro del combustible esté limpio y compruebe que el calefactor esté colocado en una superficie llana y estable.

IMPORTANTE: El presente dispositivo es un calentador de rayos infrarrojos. Calienta objetos, no el aire.

IMPORTANTE: Para cambiar de tipo de alimentación eléctrica, de batería a cable o viceversa, apague el calentador siguiendo cuidadosamente el procedimiento para evitar graves daños.

▶ 6.1. ENCENDIDO DEL CALENTADOR:

- ▶ 6.1.1. Siga todas las instrucciones relativas a la seguridad.
- ▶ 6.1.2. Controle la presencia de combustible en el depósito.
- ▶ 6.1.3. Cierre el tapón del depósito.
- ▶ 6.1.4. Conecte el cable de alimentación a la red eléctrica o a la batería cargada (VEA LA TENSIÓN EN LA "TABLA DE DATOS TÉCNICOS") (Fig. 10-11).
- ▶ 6.1.5. Sitúe el interruptor "ON/OFF" en la posición "ON" (I) (A Fig. 3). El calentador debería encenderse pocos segundos después. Si el calentador no se pone en marcha consulte el apartado, localización del problema apart. 10).

NOTA: EN EL CASO DE APAGADO DEL CALENTADOR DEBIDO A QUE SE HA AGOTADO EL COMBUSTIBLE, APAGUE EL CALENTADOR, ABASTEZCA EL DEPÓSITO Y RESTABLEZCA (VÉASE EL APARTADO 5.1.).

▶ 6.2. APAGADO DEL CALENTADOR:

ATENCIÓN: NO quite la tensión ni desconecte el cable de alimentación ni retire la batería hasta que no se haya enfriado completamente el calentador (unos 5 min.).

- ▶ 6.2.1. Sitúe el interruptor "ON/OFF" en la posición "OFF" (0) (A Fig. 3).

► **6.3. CONEXIÓN DEL TERMOSTATO AMBIENTE (opcional):**

ATENCIÓN: EL TERMOSTATO AMBIENTE (OPCIONAL) SOLO FUNCIONA CUANDO EL CALENTADOR ESTÁ ALIMENTADO CON EL CABLE DE ALIMENTACIÓN.

ATENCIÓN: CUANDO EL CALENTADOR SE GESTIONA CON EL TERMOSTATO AMBIENTE (OPCIONAL) EL APAGADO Y EL ENCENDIDO DE NUEVO DEL CALENTADOR ES AUTOMÁTICO.

Retire el tapón conectado al calefactor y conecte el termostato ambiente remoto (opcional) (C Fig. 3).

►► **7. LIMPIEZA DEL FILTRO DEL COMBUSTIBLE**

Vea Fig. 4

EN BASE A LA CALIDAD DEL COMBUSTIBLE QUE SE UTILIZA, PUEDE SER NECESARIO REALIZAR LA LIMPIEZA DEL FILTRO:

- 7.1. Retire el tapón situado en el depósito (A Fig. 4).
- 7.2. Saque el filtro del depósito.

- 7.3. Desenrosque la tuerca (B Fig. 4).
- 7.4. Saque el filtro (C Fig. 4).
- 7.5. Limpie el filtro con combustible limpio, procurando no dañarlo.
- 7.6. Vuelva a montar el filtro en el depósito.

►► **8. CONSERVACIÓN Y TRANSPORTE PARA CONSERVAR Y/O TRANSPORTAR LO MEJOR POSIBLE EL CALENTADOR SE ACONSEJA SEGUIR EL PROCEDIMIENTO SIGUIENTE:**

- 8.1. Vaciar el depósito del combustible.
- 8.2. Si nota que hay residuos, llene con combustible limpio el depósito y descargue de nuevo.
- 8.3. Cierre el tapón del depósito y elimine el combustible de manera apropiada en base a las normas vigentes.
- 8.4. Para conservar mejor el calentador se recomienda mantenerlo nivelado, para evitar que se pierda combustible y conservarlo en un lugar seco, protegido de posibles daños externos.

►► **8. ERRORES DE LA PANTALLA LCD**

Vea B Fig. 3

ERROR	CAUSA	SOLUCIÓN
ERROR OPERATIVO		
F0	1. El interruptor "ON/OFF" se encuentra en la posición "ON" (I) cuando el generador queda conectado a la red eléctrica	1. Una vez desconectado el generador de la red eléctrica, colocar el interruptor en la posición "OFF" (0), enchufar nuevamente a la red eléctrica y colocar el interruptor en la posición "ON" (I)
ERROR DE FOTOCÉLULA		
F1	1. Falta de combustible 2. El combustible con suciedad 3. La fotocélula sucia o dañada 4. El filtro de combustible sucio 5. Error del encendido	1. Poner el interruptor en la posición "OFF" (0), llenar el depósito de combustible 2. Poner el interruptor en la posición "OFF" (0) vaciar y seguidamente volver a llenar el depósito de combustible. Limpiar el filtro con un combustible limpio, teniendo cuidado para no dañarlo (VER PÁR. 6) 3. Contactar con el servicio técnico 4. VER PÁR. 6 5. Contactar con el servicio técnico
ERROR DEL SENSOR DE CONTROL DE TEMPERATURA		
F2	1. Cable interrumpido 2. El sensor dañado	1. Contactar con el servicio técnico 2. Contactar con el servicio técnico
ERROR DEL TERMOSTATO		
F3	1. Sobrecalentación interior del generador 2. Sensor anti-vuelco	1. Desconectar el generador y esperar hasta que se enfríe totalmente 2. Coloque la estufa sobre una superficie llana y estable
TENSIÓN NO ADECUADA		
F4	1. Tensión no adecuada	1. Verifique la correcta tensión de su instalación
FALLO DEL ENCENDIDO DURANTE TRES TENTATIVOS		
FF	1. Falta de combustible 2. Filtro del combustible sucio 3. Fotocélula sucia o defectuosa 4. Tobera sucia o defectuosa 5. Intervención del sensor antitilting	1. Contactar con el servicio técnico 2. Contactar con el servicio técnico 3. Contactar con el servicio técnico 4. Contactar con el servicio técnico 5. Contactar con el servicio técnico
BATERÍA DESCARGADA		
PF	1. Batería descargada	1. Recargue la batería
CALENTADOR EN STAND-BY		
[]	1. Termostato conectado 2. Paso de la alimentación de cable a batería	1. Temperatura del termostato configurada por debajo de la temperatura ambiente 2. Encendido de nuevo automático

►► 9. PROCEDIMIENTO DE MANTENIMIENTO DE PREVENCIÓN

ATENCIÓN: ANTES DE EMPEZAR CUALQUIER PROCEDIMIENTO DE MANTENIMIENTO O REPARACIÓN, DESCONECTAR EL CABLE ALIMENTADOR Y ASEGURARSE DE QUE EL GENERADOR ESTÁ FRÍO.

SI SE USA EL CALENTADOR EN AMBIENTES CON MUCHO POLVO, ES NECESARIO HACER EL MANTENIMIENTO Y LA LIMPIEZA CON MAYOR FRECUENCIA.

COMPONENTE	FRECUENCIA DE MANTENIMIENTO	PROCEDIMIENTO DE MANTENIMIENTO
Depósito de combustible	Limpiar cada 150-200 horas de funcionamiento o en función de las necesidades	Vaciar y aclarar el depósito utilizando para ello un combustible limpio
Tobera	Limpiar o cambiar una vez durante cada temporada de funcionamiento o en función de las necesidades	Contactar con el servicio técnico
Fotocélula	Limpiar una vez por temporada de funcionamiento o en función de las necesidades	Contactar con el servicio técnico
Filtro de combustible	Limpiar o cambiar dos veces durante cada temporada de funcionamiento o en función de las necesidades	Limpiar el filtro de combustible utilizando para ello un combustible limpio
Filtro de combustible	Limpiar o cambiar cada 1.000 horas de funcionamiento o en función de las necesidades	Contactar con el servicio técnico
Palas del rotor	Limpiar en función de las necesidades	Contactar con el servicio técnico

es


►► 10. IDENTIFICACIÓN DEL PROBLEMA


PROBLEMA	POSIBLE CAUSA	POSIBLE SOLUCIÓN
El generador no arranca	<ol style="list-style-type: none"> 1. El generador bloqueado 2. El interruptor en la posición "OFF" (0) 3. Falta de tensión 4. El cable alimentador desconectado 5. La tarjeta de control bloqueada 6. La configuración del termostato de habitación errónea 7. Intervención del sensor de temperatura 8. El fusible dañado 	<ol style="list-style-type: none"> 1. Desconectar y volver a conectar el generador 2. Poner el interruptor en la posición "ON" (I) 3A. Introducir correctamente el cable alimentador en el enchufe de la red eléctrica 3B. Verificar la instalación de red 3C. Contactar con el servicio técnico 3D. Batería descargada 4. Contactar con el servicio técnico 5A. Desconectar y volver a conectar el generador 5B. Identificar el error en la pantalla 5C. Contactar con el servicio técnico 6. Regular el termostato de habitación, seleccionando la temperatura superior a la del ambiente 7A. Esperar por lo menos durante 10 minutos, y seguidamente volver a probar pasar a la fase de encendido 7B. Contactar con el servicio técnico 8. Contactar con el servicio técnico
Motor/bomba arranca pero no sale la llama	<ol style="list-style-type: none"> 1. Falta de combustible 2. El aparato de encendido sucio 3. El filtro de combustible sucio 4. La tobera sucia 5. La fotocélula está sucia, dañada o instalada de manera incorrecta 6. La presencia de sustancias ajenas en el depósito 7. Los electrodos gastados u colocados a una distancia incorrecta 	<ol style="list-style-type: none"> 1. Apagar el generador, llenar el depósito de combustible y volver a encender el generador 2. Contactar con el servicio técnico 3. Limpiar el filtro utilizando el combustible limpio 4. Contactar con el servicio técnico 5. Contactar con el servicio técnico 6. Vaciar y volver a llenar el depósito con un combustible limpio 7. Contactar con el servicio técnico
El rotor está bloqueado o gira demasiado rápido	<ol style="list-style-type: none"> 1. El motor dallado 	<ol style="list-style-type: none"> 1. Contactar con el servicio técnico


IMPORTANT: LA PRESENTE NOTICE D'UTILISATION DOIT ETRE LUE AVANT DE COMMENCER LE MONTAGE, LA MISE EN MARCHE OU L'ENTRETIEN DU GENERATEUR. L'UTILISATION INCORRECTE DU GENERATEUR PEUT PROVOQUER DE GRAVES BLESSURES. LA PRESENTE NOTICE DOIT ETRE CONSERVEE POUR DES CONSULTATIONS ULTERIEURES.

►► 1. INFORMATIONS SUR LA SÉCURITÉ (AVERTISSEMENTS)

fr

 **IMPORTANT: Cet réchauffeur d'air a été conçu pour des applications professionnelles mobiles et temporaires. Il n'a pas été conçu pour un usage domestique ni pour le confort thermique humain.**

 **IMPORTANT : Cet appareil n'est pas adapté pour être utilisé par des personnes (y compris les enfants) ayant des capacités physiques, sensorielles et mentales réduites, ou par des personnes inexpérimentées, à moins qu'elles ne soient supervisées par une personne responsable de leur sécurité. Les enfants doivent être surveillés, afin de s'assurer qu'ils ne jouent pas avec l'appareil.**

 **DANGER : L'asphyxie par le monoxyde de carbone peut être fatale.**

Les premiers symptômes de l'asphyxie par le monoxyde de carbone ressemblent à ceux de la grippe, avec des maux de tête, des vertiges et/ou des nausées. Ces symptômes pourraient être causés par un fonctionnement défectueux de l'appareil de chauffage. AU CAS OU CES SYMPTÔMES SE MANIFESTERAIENT, SORTIR IMMÉDIATEMENT A L'EXTÉRIEUR et faire réparer le réchauffeur par un centre d'assistance technique.

1.1. RAVITAILLEMENT :

- 1.1.1. Le personnel préposé au ravitaillement doit être qualifié et avoir une parfaite connaissance des instructions du fabricant et de la réglementation en vigueur relative au ravitaillement des réchauffeurs en toute sécurité.
- 1.1.2. Utiliser uniquement le type de carburant expressément spécifié sur la plaque signalétique du réchauffeur.
- 1.1.3. Avant d'effectuer le ravitaillement, éteindre le réchauffeur et attendre qu'il refroidisse.
- 1.1.4. Les citernes de stockage du carburant doivent se trouver dans une structure séparée.
- 1.1.5. Tous les réservoirs de combustible doivent être situés à une distance de sécurité minimum du réchauffeur, conformément aux normes en vigueur.
- 1.1.6. Le combustible doit être conservé dans des lieux dont le sol ne permet pas la pénétration et l'égouttement de celui-ci sur des flammes sous-jacentes qu'il pourrait attiser.
- 1.1.7. La conservation du combustible doit être effectuée conformément à la réglementation en vigueur.

1.2. SÉCURITÉ :

- 1.2.1. Ne jamais utiliser le réchauffeur dans des locaux contenant de l'essence, des décapants pour peintures ou d'autres vapeurs hautement inflammables.
- 1.2.2. Pendant l'utilisation du réchauffeur, respecter tous les arrêtés locaux et la réglementation en vigueur.
- 1.2.3. Les réchauffeurs utilisés à proximité de bâches, de rideaux ou d'autres matériaux de couverture similaires doivent être séparés de ceux-ci par une distance de sécurité. Il est également conseillé d'utiliser des matériaux de couverture de type ignifuges.
- 1.2.4. Utiliser uniquement dans des zones bien ventilées. Prévoir une ouverture appropriée conformément aux normes en vigueur, afin de permettre l'introduction d'air frais provenant de l'extérieur.
- 1.2.5. N'alimenter le réchauffeur qu'avec du courant ayant la tension et la fréquence spécifiées sur la plaque d'identification de l'appareil.
- 1.2.6. Utiliser uniquement des rallonges à trois fils correctement reliées à la terre.
- 1.2.7. Distances minimales de sécurité conseillées, qui séparent le réchauffeur et les substances inflammables sont les suivantes : sortie avant = 2,5 m (8 ft.) ; de côté, en haut et à l'arrière = 1,5 m (5 ft.).
- 1.2.8. Placer le réchauffeur chaud, ou en marche, sur une surface stable et nivelée, de manière à éviter les risques d'incendie.
- 1.2.9. Garder les animaux à une distance de sécurité du réchauffeur.
- 1.2.10. Retirez l'alimentation ou la batterie de l'appareil de chauffage lorsqu'il n'est pas utilisé.
- 1.2.11. Lorsqu'il est contrôlé par un thermostat, le réchauffeur peut s'allumer à tout moment.
- 1.2.12. Ne jamais utiliser le réchauffeur dans des pièces souvent habitées ni dans des chambres à coucher.
- 1.2.13. Quand le réchauffeur est chaud, ou branché au réseau électrique, alimenté par la batterie, ne jamais le déplacer, le manipuler, le ravitailler ou le soumettre à quelque intervention de maintenance que ce soit.
- 1.2.14. Maintenir les parties chaudes du réchauffeur à une distance appropriée des matériaux inflammables ou thermolabiles (y compris le câble d'alimentation.)
- 1.2.15. Si le câble d'alimentation ou la batterie sont endommagés, ils doivent être remplacés par le centre de service après-vente pour éviter tout risque (éliminer les équipements endommagés conformément aux réglementations en vigueur).
- 1.2.16. S'assurer que le réchauffeur soit éteint avant de brancher la prise électrique à l'alimentateur et/ou d'insérer la batterie rechargeable, de manière à prévenir tout risque.
- 1.2.17. Utiliser exclusivement les batteries rechargeables originales spécialement prévues. L'utilisation de batteries rechargeables autres que celles prévues peut provoquer des dommages et des explosions ou entraîner des lésions, des brûlures, l'électrochoc, l'empoisonnement et même la mort.
- 1.2.18. Maintenir une distance de sécurité appropriée entre la batterie rechargeable déconnectée et des trombones, des pièces, des clefs, des clous, des vis et de tout autre petit objet en métal qui pourraient provoquer un court-circuit. Un court-circuit éventuel entre les contacts de la batterie rechargeable pourrait provoquer des dommages et des explosions ou entraîner des lésions, des brûlures, l'électrochoc, l'empoisonnement et même la mort.
- 1.2.19. Un mauvais emploi de la batterie rechargeable peut provoquer une fuite de liquide de la batterie. Éviter absolument tout contact. En cas de contact accidentel, rincer soigneusement à l'eau. En cas de contact du liquide avec les yeux, consulter immédiatement un médecin. Le liquide s'échappé de la batterie rechargeable pourrait causer des irritations cutanées ou des brûlures.
- 1.2.20. L'emploi erroné de la batterie rechargeable pourrait causer l'échappement de vapeurs de la batterie. Il faut absolument éviter d'inhaler ces vapeurs. Aérer la pièce et, en cas d'inhalation accidentelle et de troubles, consulter un médecin. Les vapeurs peuvent irriter les voies respiratoires.
- 1.2.21. Afin d'éviter des risques graves ne pas essayer d'ouvrir/démonter la batterie rechargeable.
- 1.2.22. Afin d'éviter des risques graves, protéger la batterie rechargeable de la chaleur (par exemple de l'exposition continue aux rayons de soleil, au feu, à l'eau, à l'humidité, etc.).
- 1.2.23. Utiliser la batterie rechargeable spécialement prévue exclusivement avec ce réchauffeur afin d'éviter des surcharges dangereuses.
- 1.2.24. Utiliser exclusivement des batteries rechargeables originales avec le voltage indiqué sur la plaque signalétique du réchauffeur. L'utilisation de batteries rechargeables autres que celles prévues (par exemple des batteries non originales, des batteries régénérées, des batteries de la concurrence, etc.) peut entraîner un risque de lésions et/ou d'explosions.

- ▶ 1.2.25. Charger la batterie rechargeable en utilisant exclusivement des chargeurs de batterie originaux. Afin d'éviter tout risque d'incendie et d'explosion, chaque batterie nécessite d'un chargeur de batterie spécifique.
- ▶ 1.2.26. Utiliser exclusivement les modes d'alimentation électriques prévus dans le présent manuel. Il est interdit de changer le mode d'alimentation lorsque le réchauffeur est en fonction afin d'éviter de dommages importants.
- ▶ 1.2.27. Lorsque le chauffage est actionné par le thermostat ou passe de l'alimentation électrique à l'alimentation électrique de la batterie, le chauffage peut s'éteindre et entrer en mode veille (l'affichage indiquera « [] »), faites très attention parce que le radiateur peut s'allumer automatiquement à tout moment et causer des dommages sérieux aux personnes et aux choses.

▶▶ 2. DÉBALLAGE

Voir la Fig. 1

- ▶ 2.1. Enlever tous les matériaux d'emballage utilisés pour conditionner et expédier l'appareil et les éliminer conformément aux normes en vigueur.
- ▶ 2.2. Retirer tous les articles de l'emballage.
- ▶ 2.3. Contrôler les dégâts éventuellement subis pendant le transport. Si le réchauffeur est endommagé, informer immédiatement le concessionnaire auprès duquel il a été acheté.

▶▶ 3. DESCRIPTION DES COMPOSANTS

▶ 3.1. CÂBLE D'ALIMENTATION (si présent) :

LE CÂBLE D'ALIMENTATION N'A PAS LA FONCTION DE CHARGEUR.

(Fig. 5) Le réchauffeur peut fonctionner lorsqu'il est branché au réseau électrique au moyen d'un câble d'alimentation. Vérifier périodiquement l'état du câble afin d'éviter tout dommage important. Respecter tous les avertissements relatifs au câble d'alimentation fournis dans le présent manuel.

▶ 3.2. BATTERIE (si présente) :

(Fig. 6)

REMARQUES : SELON LA CAPACITÉ DE LA BATTERIE (MESURÉE EN Ah) IL FAUT UTILISER UN CHARGEUR ORIGINAL AYANT LA PUISSANCE ADÉQUATE.

Le réchauffeur peut fonctionner de manière autonome avec une batterie rechargeable originale au lithium-ion, sans devoir être branchée au réseau électrique. La batterie rechargeable est fournie partiellement chargée ; il est donc conseillé de la recharger complètement avant de l'utiliser pour la première fois. Utiliser exclusivement des batteries originales pour alimenter le réchauffeur. Respecter tous les avertissements relatifs à la batterie fournis dans le présent manuel.

▶ 3.3. CHARGEUR DE BATTERIE (si présent) :

(Fig. 7) Le chargeur de batterie est conçu pour charger les batteries au Li-ion originales. Il faut respecter les paramètres de fonctionnement du chargeur (voir plaque signalétique présente sur le chargeur de batterie). Utiliser le chargeur de batterie dans des endroits complètement secs et non poussiéreux pour charger exclusivement des batteries rechargeables originales utilisables pour alimenter ce réchauffeur. Le chargeur de batterie est prévu pour gérer de manière autonome le cycle de chargement correct lorsque la batterie rechargeable y est connectée (Fig. 8). Un voyant situé sur le chargeur de batterie permet d'avoir un diagnostic complet durant la phase de chargement de la batterie (Fig. 9). Respecter tous les avertissements relatifs au chargeur de batterie fournis dans le présent manuel.

▶▶ 4. COMBUSTIBLE

AVERTISSEMENT : Le réchauffeur fonctionne uniquement avec du DIESEL ou du KÉROSÈNE.

Utiliser uniquement du diesel ou du kérosène, afin d'éviter tout risque d'incendie ou d'explosion. Ne jamais utiliser de l'essence, du mazout, des décapants pour peintures, de l'alcool ou d'autres combustibles hautement inflammables.

En cas de très basses températures, utiliser des additifs antigel non toxiques.

▶▶ 5. PRINCIPE DE FONCTIONNEMENT

Voir la Fig. 2

L'air nécessaire pour assurer une bonne combustion est généré par la rotation d'un ventilateur interne à l'intérieur du brûleur. Le flux d'air sort du tuyau d'échappement du brûleur et se mélange au carburant qui est pulvérisé par une buse à haute pression. Le carburant pulvérisé par buse est garanti par une pompe électrique qui aspire le carburant du réservoir et le pousse à haute pression au niveau de la buse.

▶▶ 6. FONCTIONNEMENT

AVERTISSEMENT : Lire attentivement les "INFORMATIONS SUR LA SÉCURITÉ", avant d'allumer le réchauffeur.

IMPORTANT : Après le premier échec de démarrage du chauffage, contrôler la présence de carburant de le réservoir, vérifier que le filtre du combustible soit propre et vérifier que le chauffage soit placé sur une surface plane et stable.

IMPORTANT : Cet appareil est un chauffage infrarouge. Chauffe des objets, pas de l'air.

IMPORTANT : Pour changer le type d'alimentation électrique de la batterie au câble et inversement, éteignez l'appareil de chauffage en suivant toutes les procédures avec soin pour éviter de graves dommages.

▶ 6.1. ALLUMAGE DU RÉCHAUFFEUR :

- ▶ 6.1.1. Suivre toutes les instructions relatives à la sécurité.
- ▶ 6.1.2. Contrôler la présence de combustible dans le réservoir.
- ▶ 6.1.3. Fermer le bouchon du réservoir.
- ▶ 6.1.4. Brancher la fiche d'alimentation au réseau électrique ou la batterie chargée (VOIR TENSION DANS LE « TABLEAU DES DONNÉES TECHNIQUES ») (Fig. 10-11).
- ▶ 6.1.5. Mettre l'interrupteur « ON/OFF » en position « ON » (I) (A Fig. 3). Le réchauffeur devrait s'allumer après quelques secondes. Si le réchauffeur ne démarre pas, consultez le paragraphe de recherche de problème (Par. 10).

N.B. : EN CAS D'ARRÊT DU RÉCHAUFFEUR DÙ A L'ÉPUISEMENT DU COMBUSTIBLE, ÉTEINDRE LE RÉCHAUFFEUR, REMPLIR LE RÉSERVOIR ET RÉINITIALISER LE RÉCHAUFFEUR (VOIR PARAGR. 5.1.).

▶ 6.2. EXTINCTION DU RÉCHAUFFEUR :

ATTENTION : NE RETIREZ PAS LA TENSION, NE DÉBRANCHEZ PAS LE CORDON D'ALIMENTATION ET NE RETIREZ PAS LA BATTERIE JUSQU'AU REFROIDISSEMENT COMPLET DU CHAUFFE-EAU (environ 5 minutes).

- ▶ 6.2.1. Mettre l'interrupteur « ON/OFF » en position « OFF » (0) (A Fig. 3).

► 6.3. BRANCHEMENT DU THERMOSTAT D'AMBIANCE (en option) :

ATTENTION : LE THERMOSTAT AMBIANT (OPTIONNEL) FONCTIONNE SEULEMENT LORSQUE LA CHALEUR EST ALIMENTÉE PAR LE CORDON D'ALIMENTATION.

ATTENTION : LORSQUE LE RADIATEUR EST EN FONCTION DU THERMOSTAT (OPTIONNEL), LE RETARDEMENT ET L'EFFACEMENT DU RÉCEPTEUR SONT AUTOMATIQUES.

Retirer le bouchon connecté au réchauffeur et connecter le thermostat d'ambiance à distance (option) (C Fig. 3).

►► 7. NETTOYAGE FILTRE COMBUSTIBLE

Voir la Fig. 4

SELON LA QUALITÉ DU COMBUSTIBLE EMPLOYÉ, LE NETTOYAGE DES FILTRES PEUT ÊTRE NÉCESSAIRE .

- 7.1. Retirez le bouchon du réservoir (A Fig. 4).
- 7.2. Extraire le filtre du réservoir.

- 7.3. Dévisser l'écrou (B Fig. 4).
- 7.4. Retirer le filtre (C Fig. 4).
- 7.5. Nettoyer le filtre avec un combustible propre, en faisant attention à ne pas l'endommager.
- 7.6. Remonter le filtre dans le réservoir.

►► 8. CONSERVATION ET TRANSPORT

AFIN DE CONSERVER ET/OU TRANSPORTER LE GÉNÉRATEUR DE MANIÈRE OPTIMALE, IL EST CONSEILLÉ DE SUIVRE LA PROCÉDURE SUIVANTE :

- 8.1. Vider le réservoir du combustible.
- 8.2. Si l'on constate la présence de résidus, verser du combustible propre dans le réservoir et le vidanger à nouveau.
- 8.3. Fermer le bouchon du réservoir et éliminer le carburant de manière appropriée et conformément aux normes en vigueur.
- 8.4. Afin de conserver le générateur de manière optimale, il est conseillé de le garder en position horizontale, pour éviter l'écoulement du carburant, et dans un lieu sec, à l'abri d'éventuels dommages extérieurs.

►► 9. ERREURS DE L'AFFICHEUR

Voir B Fig. 3

ERREUR	CAUSE	SOLUTION
ERREUR OPERATIONNELLE		
F0	1. L'interrupteur "ON/OFF" est en position "ON" (I) quand le générateur est branché au réseau électrique	1. Mettre l'interrupteur en position "OFF" (0) après le débranchement du générateur du réseau électrique et remettre la fiche de contact dans le réseau électrique et mettre l'interrupteur en position "ON" (I)
ERREUR DE LA PHOTOCELLULE		
F1	1. Manque de combustible 2. Combustible pollué 3. Photocellule encrassée ou endommagée 4. Filtre du combustible encrassé 5. Erreur de l'inflammation	1. Mettre l'interrupteur en position "OFF" (0), remplir le réservoir de combustible 2. Mettre l'interrupteur en position "OFF" (0) et remplir à nouveau le réservoir de combustible. Nettoyer le filtre à l'aide d'un combustible propre en faisant attention de ne pas l'endommager (VOIR CHAPITRE 6) 3. Se tourner vers le centre d'aide technique 4. VOIR CHAPITRE 6 5. Se tourner vers le centre d'aide technique
ERREUR DU CAPTEUR DE CONTROLE DE TEMPERATURE		
F2	1. Câble interrompu 2. Capteur endommagé	1. Se tourner vers le centre d'aide technique 2. Se tourner vers le centre d'aide technique
ERREUR DU THERMOSTAT		
F3	1. Surchauffe intérieure du générateur 2. Capteur anti-basculement	1. Arrêter le générateur et attendre jusqu'à son refroidissement total 2. Placer le radiateur sur une surface plate et stable
TENSION INCORRECTE		
F4	1. Tension incorrecte	1. Vérifier la bonne tension de votre installation
ÉCHEC D'ALLUMAGE PENDANT TROIS TENTATIVES		
FF	1. Absence de combustible 2. Filtre du carburant sale 3. Photocellule sale ou défectueuse 4. Buse sale ou défectueuse 5. Intervention détecteur anti-tilting	1. Se tourner vers le centre d'aide technique 2. Se tourner vers le centre d'aide technique 3. Se tourner vers le centre d'aide technique 4. Se tourner vers le centre d'aide technique 5. Se tourner vers le centre d'aide technique
BATTERIE DÉCHARGÉE		
PF	1. Batterie déchargée	1. Recharger la batterie
APPAREIL DE CHAUFFAGE EN PAUSE		
[]	1. Thermostat branché 2. Passage de l'alimentation par câble à la batterie	1. Température du thermostat réglée sous la température ambiante 2. Rallumage automatique

►► 10. PLANNING DE L'ENTRETIEN PRESERVATEUR

ATTENTION: AVANT DE COMMENCER DES TRAVAUX QUELCONQUES D'ENTRETIEN OU DE REPARATION, IL FAUT DEBRANCHER LE CABLE D'ALIMENTATION DU RESEAU ELECTRIQUE ET S'ASSURER QUE LE GENERATEUR EST REFROIDI.

SI VOUS UTILISEZ LE RÉCHAUFFEUR DANS DES LOCAUX PARTICULIÈREMENT POUSSIÉREUX, IL EST NÉCESSAIRE D'EFFECTUER L'ENTRETIEN ET LE NETTOYAGE PLUS SOUVENT.

ELEMENT	FREQUENCE DE L'ENTRETIEN	PROCEDURE DE L'ENTRETIEN
Réservoir du combustible	Nettoyer toutes les 150-200 heures de travail ou selon les besoins	Vider et rincer le réservoir en utilisant un combustible propre
Tuyère	Nettoyer ou changer une fois durant une saison de travail ou selon les besoins	Se tourner vers le centre d'aide technique
Photocellule	Nettoyer une fois durant une saison de travail ou selon les besoins	Se tourner vers le centre d'aide technique
Filtre du combustible	Nettoyer ou changer deux fois durant une saison de travail ou selon les besoins	Nettoyer le filtre du combustible en utilisant pour cela un combustible propre
Appareil d'allumage	Nettoyer ou changer toutes les 1.000 heures de travail ou selon les besoins	Se tourner vers le centre d'aide technique
Ailettes du rotor	Nettoyer selon les besoins	Se tourner vers le centre d'aide technique


fr

►► 11. IDENTIFICATION DU PROBLEME


PROBLEME	CAUSE POSSIBLE	SOLUTION POSSIBLE
Le générateur ne se met pas en marche	<ol style="list-style-type: none"> Générateur bloqué L'interrupteur se trouve en position "OFF" (0) Pas de tension Câble d'alimentation débranché Carte de commande bloquée Mauvaise position du thermostat Intervention du capteur de température Fusible endommagé 	<ol style="list-style-type: none"> Arrêter et mettre à nouveau en marche le générateur Mettre l'interrupteur en position "ON" (I) 3A. Bien introduire le câble d'alimentation dans la prise de contact du réseau électrique 3B. Vérifier l'installation électrique 3C. Se tourner vers le centre d'aide technique 3D. Batterie déchargée 4. Se tourner vers le centre d'aide technique 5A. Arrêter et mettre à nouveau en marche le générateur 5B. Identifier l'erreur sur l'afficheur 5C. Se tourner vers le centre d'aide technique 6. Régler le thermostat en le mettant sur une température plus haute que la température de l'environnement de travail 7A. Attendre au moins dix minutes et ensuite essayer à nouveau de passer à la phase d'allumage 7B. Se tourner vers le centre d'aide technique 8. Se tourner vers le centre d'aide technique
Le moteur/la pompe se met en marche mais la flamme ne s'allume pas	<ol style="list-style-type: none"> Manque de combustible L'appareil d'allumage est encrassé Le filtre du combustible est encrassé La tuyère est encrassée La photocellule est encrassée, endommagée ou incorrectement installée Présence d'autres substances dans le réservoir Electrodes usées ou se trouvant dans une mauvaise distance 	<ol style="list-style-type: none"> Eteindre le générateur, remplir le réservoir de combustible et à nouveau mettre en marche le générateur Se tourner vers le centre d'aide technique Nettoyer le filtre à l'aide d'un combustible propre Se tourner vers le centre d'aide technique Se tourner vers le centre d'aide technique Nettoyer et à nouveau remplir le réservoir de combustible propre Se tourner vers le centre d'aide technique
Le rotor est bloqué ou tourne trop lentement	<ol style="list-style-type: none"> Moteur endommagé 	<ol style="list-style-type: none"> Se tourner vers le centre d'aide technique

BELANGRIJK: LEES DE INSTRUCTIES IN DEZE HANDLEIDING AANDACHTIG DOOR VOORDAT U BEGINT MET DE MONTAGE, HET OPSTARTEN OF DE ONDERHOUD VAN DE GENERATOR. ONJUIST GEBRUIK VAN DE GENERATOR KAN LEIDEN TOT ERNSTIG LETSEL. BEWAAR DE HANDLEIDING GOED VOOR LATERE RAADPLEGING.

►► 1. INFORMATIE BETREFFENDE DE VEILIGHEID (WAARSCHUWINGEN)

 **BELANGRIJK:** Dit luchtverwarmingstoestel is ontworpen voor mobiele en tijdelijke professionele toepassingen. Het is niet ontworpen voor huishoudelijk gebruik of om mensen warmtecomfort te bieden.

 **BELANGRIJK:** Dit toestel is niet geschikt om gebruikt te worden door personen (kinderen inbegrepen) met beperkte fysieke, zintuiglijke en mentale capaciteiten, of zonder ervaring, tenminste als ze niet onder toezicht staan van een persoon die verantwoordelijk is voor hun veiligheid. Zorg dat kinderen onder toezicht staan zodat ze niet met het apparaat spelen.

 **GEVAAR:** Koolmonoxidevergiftiging kan fataal zijn.

De eerste symptomen van koolmonoxidevergiftiging lijken op die van griep, met hoofdpijn, duizeligheid en/of braken. Dergelijke symptomen kunnen veroorzaakt worden door een slechte werking van de verwarmers. ALS DEZE SYMPTOMEN ZICH ZOUDE VOORDOEN, MOET MEN ONMIDDELIJK NAAR BUITEN GAAN en de verwarmers door de technische dienst laten repareren.

1.1. BIJTANKEN:

- 1.1.1. Het personeel belast met het bijtanken, moet gekwalificeerd zijn en volledig vertrouwd zijn met de instructies van de fabrikant en met de geldende normen wat betreft het veilig bijtanken van verwarmers.
- 1.1.2. Gebruik uitsluitend het type brandstof dat op het identificatieplaatje van de verwarmers is gespecificeerd.
- 1.1.3. Vooraleer bij te tanken, dient u de verwarmers uit te zetten en wachten tot die is afgekoeld.
- 1.1.4. De tanks voor opslag van brandstof moeten in een afzonderlijke structuur zijn ondergebracht.
- 1.1.5. Brandstoftanks moeten minstens op een veilige afstand van de verwarmers zijn, volgens de geldende normen.
- 1.1.6. Bewaar de brandstof in lokalen waar de vloer geen penetratie toelaat of waar er druppels op vlammen eronder kunnen vallen, wat ontsteking kan veroorzaken.
- 1.1.7. Het bewaren van de brandstof dient te gebeuren in overeenstemming met de geldende normen.

1.2. VEILIGHEID:

- 1.2.1. Gebruik de verwarmers nooit in lokalen waarin benzine, solventen voor verf of andere licht ontvlambare dampen aanwezig zijn.
- 1.2.2. Tijdens het gebruik van het verwarmingstoestel dient u zich te houden aan alle plaatselijke verordeningen en aan de geldende normen.
- 1.2.3. Verwarmers gebruikt in de buurt van zeilen, gordijnen of andere, gelijkaardige afdekmaterialen, moeten op veilige afstand ervan worden opgesteld. Het is ook aanbevolen om brandvertragende afdekmaterialen te gebruiken.
- 1.2.4. Alleen in goed geventileerde zones gebruiken. Voorzie een geschikte opening volgens de geldende normen, om verse lucht van buiten aan te voeren.
- 1.2.5. Voed het verwarmingstoestel uitsluitend met stroom waarvan spanning en frequentie overeenkomen met de specificatie op het identificatieplaatje van het toestel.
- 1.2.6. Gebruik uitsluitend verlengsnoeren met drie draden die op correcte wijze op massa zijn aangesloten.
- 1.2.7. Aanbevolen minimale veilige afstanden tussen de verwarmers en ontvlambare stoffen zijn: uitgang vooraan = 2,5 m; opzij, bovenaan en achteraan = 1,5 m.

- 1.2.8. Zet de warme verwarmers of de verwarmers in werking op een stabiel, waterpas oppervlak, om brandgevaar te vermijden.
- 1.2.9. Houd dieren op veilige afstand van het verwarmingstoestel.
- 1.2.10. Koppel de voeding of de batterij los van de verwarmers wanneer die niet gebruikt wordt.
- 1.2.11. Wanneer de verwarmers door een thermostaat wordt aangestuurd, kan die op elk willekeurig ogenblik inschakelen.
- 1.2.12. De verwarmers nooit gebruiken in vaak bewoonde kamers of in slaapkamers.
- 1.2.13. Wanneer de verwarmers warm is, of op het elektrische net aangesloten, gevoed wordt door de batterij of in werking is, mag die nooit worden verplaatst, verhandeld, bijgetankt of onderworpen aan een onderhoudsinterventie.
- 1.2.14. Houd voldoende afstand tussen ontvlambare of thermolabele materialen (met inbegrip van de voedingskabel) en de warme delen van het verwarmingstoestel.
- 1.2.15. Als de voedingskabel of de batterij beschadigd zijn, moeten deze vervangen worden door het technisch assistentiecentrum, om risico's te voorkomen (het beschadigde materiaal moet afgedankt worden in overeenstemming met de geldende wetgeving).
- 1.2.16. Controleer of de verwarmers uit staat vooraleer de stekker in het stopcontact te steken en/of de herlaadbare batterij te plaatsen, om alle risico's te vermijden.
- 1.2.17. Gebruik enkel en alleen uitdrukkelijk voorziene, oorspronkelijke herlaadbare batterijen. Het gebruik van niet-voorzien herlaadbare batterijen kan schade veroorzaken of een gevaar betekenen voor het leven van personen, letsels en brandwonden veroorzaken, en ontploffingen, elektrische schokken of vergiftiging.
- 1.2.18. Houd voldoende veilige afstand tussen de losgekoppelde herlaadbare batterij en sluitingen, muntstukken, sleutels, spijkers, schroeven en andere kleine metalen voorwerpen die eventueel kortsluiting kunnen veroorzaken. Een eventuele kortsluiting tussen de contacten van de herlaadbare batterij kan schade veroorzaken of levensgevaarlijk zijn, en letsels, brandwonden, ontploffingen, enz. veroorzaken.
- 1.2.19. Een verkeerd gebruik van de herlaadbare batterij kan de batterijvloeistof doen lekken. Vermijd absoluut contact met deze vloeistof. Bij toevallig contact moet u zorgvuldig met water afspoelen. Wendt u onmiddellijk tot een arts wanneer de vloeistof met uw ogen in contact zou komen. Gelekte batterijvloeistof kan huidirritatie en brandwonden veroorzaken.
- 1.2.20. Een verkeerd gebruik van de herlaadbare batterij kan dampen uit de batterij doen ontsnappen. Vermijd absoluut om deze dampen in te ademen. Laat verse lucht binnen in het lokaal; in geval de dampen toevallig werden ingeademd, moet u een arts raadplegen indien u ademhalingsstoornissen ondervindt. Deze dampen kunnen de luchtwegen irriteren.
- 1.2.21. Teneinde ernstige risico's te vermijden, mag u niet proberen om de herlaadbare batterij te openen of te demonteren.
- 1.2.22. Teneinde ernstige risico's te vermijden, moet u de herlaadbare batterij tegen warmte beschermen (bijvoorbeeld tegen continue blootstelling aan zonnestralen, tegen vuur, tegen water, tegen vocht, enz.).
- 1.2.23. Gebruik de specifieke herlaadbare batterij uitsluitend voor deze verwarmers teneinde gevaarlijke overbelasting te vermijden.
- 1.2.24. Gebruik uitsluitend originele herlaadbare batterijen die voorzien zijn voor de spanning aangegeven op het plaatje met technische gegevens van de verwarmers. In geval andere herlaadbare batterijen worden gebruikt (bijvoorbeeld namaakbatterijen, geregenereerde batterijen, batterijen van

concurrenten, enz.) bestaat er gevaar voor letsels en/of ontploffingen.

- ▶ 1.2.25. Laad de herlaadbare batterij enkel en alleen op met oorspronkelijke batterijladers. Iedere batterij vereist een specifieke batterijlader om brandgevaar en risico voor ontploffing te vermijden.
- ▶ 1.2.26. Gebruik uitsluitend de werkwijzen voor elektrische voeding zoals voorzien in deze handleiding. Het is verboden om van werkwijze voor de voeding te wijzigen wanneer de verw warmer in werking is, teneinde ernstige schade te vermijden.
- ▶ 1.2.27. Wanneer de verw warmer geregeld wordt door de thermostaat of men overschakelt van de elektrische voeding met kabel op die met batterij, kan de verw warmer uitschakelen en in de modaaliteit stand-by komen (op de display verschijnt de signalering “[]”). Let goed op want de verw warmer kan zich automatisch weer inschakelen op om het even welk moment en dit kan ernstige schade toebrengen aan personen en voorwerpen.

▶▶2. UITPAKKEN

Zie Fig. 1

- ▶ 2.1. Haal alle verpakkingsmateriaal weg, gebruikt om het verwarmingstoestel te verpakken en te versturen, en verwijder die volgens de geldende normen.
- ▶ 2.2. Haal alle artikelen uit de verpakking.
- ▶ 2.3. Controleer of er tijdens het transport geen schade is opgetreden. Als het verwarmingstoestel beschadigd lijkt, moet men onmiddellijk de concessiehouder verwittigen, waar het toestel werd aangekocht.

▶▶3. BESCHRIJVING VAN DE ARTIKELEN

▶ 3.1. VOEDINGSKABEL (waar aanwezig):

DE VOEDINGSKABEL DIENT NIET ALS BATTERIJLADER. (Fig. 5) De verw warmer kan voor zijn werking worden aangesloten op het elektriciteitsnet via de voedingskabel. Controleer regelmatig de staat van de kabel, om ernstige schade te voorkomen. Respecteer alle waarschuwingen met betrekking tot de voeding die in deze handleiding staan vermeld.

▶ 3.2. BATTERIJ (indien aanwezig):

(Fig. 6)

OPMERKING: NAARGELANG DE CAPACITEIT VAN DE BATTERIJ (GEMETEN IN Ah) MOET MEN GEBRUIK MAKEN VAN EEN ORIGINELE BATTERIJLADER MET GEPAST VERMOMGEN.

De verw warmer kan op autonome wijze werken met een oorspronkelijke, herlaadbare Li-ion-batterij, zonder op het elektriciteitsnet te moeten worden aangesloten. De herlaadbare batterij wordt gedeeltelijk geladen geleverd; het is bijgevolg aanbevolen om een volledige oplaadcyclus uit te voeren alvorens de batterij te gaan gebruiken. Gebruik uitsluitend oorspronkelijke batterijen om de verw warmer te voeden. Respecteer alle waarschuwingen met betrekking tot de batterij die in deze handleiding staan vermeld.

▶ 3.3. BATTERIJLADER (indien aanwezig):

(Fig. 7) De batterijlader is ontworpen om de oorspronkelijke herlaadbare Li-ion batterijen op te laden. Het is noodzakelijk om de werkingsparameters van de batterijlader te respecteren (zie gegevensplaatje dat op de batterijlader is aangebracht). Gebruik de batterijlader op plaatsen die volledig droog zijn en tegen stof beschermd, om uitsluitend oorspronkelijke herlaadbare batterijen op te laden die gebruikt kunnen worden om deze verw warmer te voeden. De batterijlader is voorzien om op automatische wijze de oplaadcyclus te beheren wanneer de herlaadbare batterij wordt aangesloten (Fig. 8). Een verlichte indicator op de batterijlader zorgen voor een gedetailleerde diagnose tijdens het zoeken (Fig. 9). Respecteer alle waarschuwingen met betrekking tot de batterijlader die in deze handleiding staan vermeld.

▶▶4. BRANDSTOF

WAARSCHUWING: De verw warmer werkt alleen op DIESEL of KEROSINE.

Gebruik uitsluitend diesel of kerosine, om brandgevaar of ontploffingsgevaar te vermijden. Maak nooit gebruik van benzine, nafta, solventen voor verfstoffen, alcohol of andere zeer ontvlambare brandstoffen.

Gebruik niet-giftige antivriesadditieven bij zeer lage temperaturen.

▶▶5. WERKINGSPRINCIPE

Zie Fig. 2

De zone noodzakelijk om borg te staan voor een correcte verbranding wordt geproduceerd door de rotatie van een interne waaier in de brander. De luchtstroom komt uit de brander en vermengt zich met de brandstof die verneveld wordt door een spuitmond aan hoge druk. De door de spuitmond vernevelde brandstof wordt gegarandeerd door een elektrische pomp die de brandstof aanzuigt vanuit het reservoir en die aan hoge druk naar de spuitmond duwt.

▶▶6. WERKING

WAARSCHUWING: Lees aandachtig de "INLICHTINGEN BETREFFENDE DE VEILIGHEID" vooraleer de verw warmer aan te zetten.

BELANGRIJK: Wanneer de verw warmer een eerste keer niet inschakelt, moet u controleren of er brandstof in de tank aanwezig is, controleren of de brandstoffilter netjes is en controleren of de verw warmer op een vlak, stabiel oppervlak is geplaatst.

BELANGRIJK: Deze inrichting is een infraroodverw warmer. Verw armt voorwerpen, niet de lucht.

BELANGRIJK: Om de typologie van elektrische voeding met batterij op kabel en omgekeerd te veranderen, zet de verw warmer uit door de procedure strikt op te volgen, om ernstige schade te voorkomen.

▶ 6.1. INSCHAKELING VAN DE VERWARMER:

- ▶ 6.1.1. Volg alle instructies met betrekking tot de veiligheid.
- ▶ 6.1.2. Controleer of er brandstof in de tank aanwezig is.
- ▶ 6.1.3. Sluit de dop van de tank.
- ▶ 6.1.4. Sluit de stekker van de voeding aan op het elektriciteitsnet of de opgeladen batterij (ZIE SPANNING IN "TABEL TECHNISCHE GEGEVENS") (Fig. 10-11).
- ▶ 6.1.5. Zet de schakelaar "ON/OFF" in de stand "ON" (I) (A Fig. 3). De verw warmer moet binnen enkele seconden aangaan. Als de verw warmer niet start, lees de relatieve paragraaf om het probleem op te sporen (Parag. 10).

N.B.: WANNEER DE VERWARMER UITGAAT OMDAT DE BRANDSTOF OP IS, MOET U DE VERWARMER UITZETTEN, DE TANK BIJVULLEN EN WEER AANZETTEN (ZIE PARAG. 5.1.).

▶ 6.2. UITSCHAKELING VAN DE VERWARMER:

AANDACHT: NEEM DE SPANNING NIET WEG, KOPPEL DE VOEDINGSKABEL NIET LOS EN VERWIJDER DE BATTERIJ NIET TOT DE VERWARMER VOLLEDIG AFGEKOELD IS (ongeveer 5 min.).

- ▶ 6.2.1. Zet de schakelaar "ON/OFF" in de stand "OFF" (O) (A Fig. 3).

► 6.3. AANSLUITING OMGEVINGSTHERMOSTAAT (optie):

AANDACHT: DE OMGEVINGSTHERMOSTAAT (OPTIE) WERKT ALLEEN WANNEER DE VERWARMER GEVOED WORDT MET DE VOEDINGSKABEL.

AANDACHT: WANNEER DE VERWARMER GEREGLD WORDT DOOR DE OMGEVINGSTHERMOSTAAT (OPTIE), ZAL DE VERWARMER AUTOMATISCH UIT- EN WEER INSCHAKELLEN.

Verwijder de dop die op de verwarmer is aangesloten en verbind de omgevingsthermostaat (optioneel) (C Fig. 3).

- 7.4. Verwijder de filter (C Fig. 4).
- 7.5. Reinig de filter met schone brandstof, let op dat u de filter niet beschadigt.
- 7.6. Hermonteer de filter in de tank.

►► 8. BEWARING EN TRANSPORT OM DE VERWARMER ZO GOED MOGELIJK OP TE SLAAN EN/OF TE VERVOEREN, IS HET AANBEVOLEN DE VOLGENDE PROCEDURE TE VOLGEN:

- 8.1. Ledig de brandstoftank.
- 8.2. Indien u vaststelt dat er residuen zijn, giet u zuivere brandstof in de tank en laat u die opnieuw af.
- 8.3. Sluit de dop van de tank en verwerk de brandstof op correcte wijze volgens de geldende normen.
- 8.4. Om de verwarmer zo goed mogelijk te bewaren, is het aanbevolen deze in vlakke positie te houden, om te vermijden dat er brandstof uitloopt, en om die op een droge plaats op te slaan, beschermt tegen mogelijke externe schade.

►► 7. REINIGING BRANDSTOFFILTER

Zie Fig. 4
AFHANKELIJK VAN DE KWALITEIT VAN DE BRANDSTOF DIE GEBRUIKT WORDT, KAN HET NODIG WORDEN OM DE FILTER TE REINIGEN.

- 7.1. Verwijder de dop op de tank (A Fig. 4).
- 7.2. Haal de filter uit de tank.
- 7.3. Draai de moer los (B Fig. 4).

►► 9. FOUTMELDINGEN OP DE DISPLAY

Zie B Fig. 3

FOUT	OORZAAK	OPLOSSING
OPERATIONELE FOUT		
F0	1. De "ON/OFF" schakelaar staat in de positie "ON" (I) wanneer de generator wordt aangesloten op het elektriciteitsnet	1. Haal de stekker uit het stopcontact, zet de ON/OFF schakelaar in de positie "OFF" (0) en sluit het apparaat opnieuw aan op het elektriciteitsnet en zet de "ON/OFF" schakelaar in de positie "ON" (I)
FOTOCEL FOUT		
F1	1. Te weinig brandstof 2. De brandstof is verontreinigd 3. De fotocel is verontreinigd of beschadigd 4. Het brandstoffilter is verontreinigd 5. Ontstekingsfout	1. Zet de "ON/OFF" schakelaar in de positie "OFF" (0) en brandstoftank bijvullen 2. Zet de "ON/OFF" schakelaar in de positie "OFF" (0), de brandstoftank leegmaken en vervolgens weer bijvullen. Reinig het filter met behulp van schoon brandstof. Wees voorzichtig om het filter niet te beschadigen (ZIE SECTIE 6) 3. Raadpleeg een erkende servicedienst 4. ZIE SECTIE 6 5. Raadpleeg een erkende servicedienst
TEMPERATUURSENSOR FOUT		
F2	1. Kabel onderbroken 2. De sensor is beschadigd	1. Raadpleeg een erkende servicedienst 2. Raadpleeg een erkende servicedienst
ERREUR DU THERMOSTAT		
F3	1. Interne oververhitting van de generator 2. Sensor anti-tipping	1. Generator uitschakelen en wachten totdat het apparaat volledig is afgekoeld 2. Zet de kachel op een vlak en stabiel oppervlak
SPANNING NIET GESCHIKT		
F4	1. Spanning niet geschikt	1. Controleer of uw systeem de correcte spanning heeft
GEEN ONTSTEKING NA DRIE POGINGEN		
FF	1. Geen brandstof 2. Brandstoffilter is vuil 3. Fotocel is vuil of defect 4. Straalpijp is vuil of defect 5. Interventie anti-tilting-sensor	1. Raadpleeg een erkende servicedienst 2. Raadpleeg een erkende servicedienst 3. Raadpleeg een erkende servicedienst 4. Raadpleeg een erkende servicedienst 5. Raadpleeg een erkende servicedienst
PLATTE BATTERIJ		
PF	1. Platte batterij	1. Laad de batterij op
VERWARMER IN STAND-BY		
[]	1. Aangesloten thermostaat 2. Overschakeling van voeding met kabel op batterij	1. Temperatuur van de thermostaat ingesteld onder de omgevingstemperatuur 2. Automatische herinschakeling

►► 10. PREVENTIEF ONDERHOUDSSCHEMA

LET OP: VOORDAT ER ENIGE ONDERHOUDS- OF REPARATIEWERKZAAMHEDEN WORDEN UITGEVOERD, DIENT EERST DE STEKKER UIT HET STOPCONTACT TE WORDEN GEHAALD EN GECONTROLEERD TE WORDEN OF DE GENERATOR VOLLEDIG IS AFGEKOELD.

ALS DE VERWARMER IN BIJZONDER STOFFIGE RUIMTES GEBRUIKT WORDT, IS HET NODIG HET ONDERHOUD EN DE REINIGING VAKER UIT TE VOEREN.

ONDERDEEL	FREQUENTIE VAN ONDERHOUDSWERKZAAMHEDEN	ONDERHOUDS-PROCEDURE
Brandstoftank	Reinigen na 150-200 uur werk of afhankelijk van de behoefte	Tap alle brandstof af uit de tank en spoel de tank met schone brandstof
Mondstuk	Reinigen of vervangen eenmaal per seizoen of afhankelijk van de behoefte	Raadpleeg een erkende servicedienst
Fotocel	Reinigen eenmaal per seizoen of afhankelijk van de behoefte	Raadpleeg een erkende servicedienst
Brandstoffilter	Reinigen of vervangen tweemaal per seizoen of afhankelijk van de behoefte	Reinig het brandstoffilter met schone brandstof
Ontstekingsapparaat	Reinigen of vervangen na 1.000 uur werk of afhankelijk van de behoefte	Raadpleeg een erkende servicedienst
Rotorbladen	Reinigen afhankelijk van de behoefte	Raadpleeg een erkende servicedienst


nl


►► 11. PROBLEEMOPSPORING


PROBLEEM	MOGELIJKE OORZAAK	MOGELIJKE OPLOSSING
De generator start niet	<ol style="list-style-type: none"> 1. Geblokkeerde generator 2. De schakelaar staat in de positie "OFF" (0) 3. Geen spanning 4. Het snoer is niet aangesloten op het elektriciteitsnet 5. Geblokkeerde alarmprint 6. Verkeerde instelling van de kamerthermostaat 7. Interventie van de temperatuursensor 8. Beschadigde zekering 	<ol style="list-style-type: none"> 1. De generator uitschakelen en weer opstarten 2. Zet de schakelaar in de positie "ON" (I) 3A. Steek de stekker van het snoer goed in het stopcontact 3B. Controleer de netwerkinstallatie 3C. Raadpleeg een erkende servicedienst 3D. Platte batterij 4. Raadpleeg een erkende servicedienst 5A. De generator uitschakelen en weer opstarten 5B. Identificeer de foutmelding op de display 5C. Raadpleeg een erkende servicedienst 6. Stel de kamerthermostaat goed in - voer een hogere temperatuur in dan de werkomgeving 7A. Wacht minstens tien minuten en probeer vervolgens opnieuw over te gaan tot de ontstekingsfase 7B. Raadpleeg een erkende servicedienst 8. Raadpleeg een erkende servicedienst
De motor/pomp werkt wel, maar de vlam gaat niet aan	<ol style="list-style-type: none"> 1. Te weinig brandstof 2. Het ontstekingsapparaat is verontreinigd 3. Het brandstoffilter is verontreinigd 4. Het mondstuk is verontreinigd 5. De fotocel is verontreinigd, beschadigd of is onjuist geïnstalleerd 6. Aanwezigheid van vreemde stoffen in de tank 7. Versleten elektroden of op onjuiste afstand geplaatst 	<ol style="list-style-type: none"> 1. Schakel de generator uit, vul de brandstoftank en start de generator weer op 2. Raadpleeg een erkende servicedienst 3. Maak het filter schoon met schone brandstof 4. Raadpleeg een erkende servicedienst 5. Raadpleeg een erkende servicedienst 6. Tap alle brandstof af uit de tank en vul de tank weer met schone brandstof 7. Raadpleeg een erkende servicedienst
De rotor is geblokkeerd of	<ol style="list-style-type: none"> 1. De motor is beschadigd 	<ol style="list-style-type: none"> 1. Raadpleeg een erkende

IMPORTANTE: LEIA E COMPREENDA ESTE MANUAL OPERATIVO ANTES DE EFETUAR A MONTAGEM, A COLOCAÇÃO EM FUNÇÃO OU A MANUTENÇÃO DESTA GERADOR. O USO INCORRETO DO GERADOR PODE CAUSAR LESÕES GRAVES. CONSERVE ESTE MANUAL PARA FUTURAS CONSULTAS.

▶▶ 1. INFORMAÇÕES SOBRE A SEGURANÇA (ADVERTÊNCIAS)

 **IMPORTANTE:** Este aquecedor de ar foi projetado para aplicações profissionais temporárias e móveis. Não foi concebido para uso doméstico nem para conforto térmico de humanos.

 **IMPORTANTE:** Este aparelho não é adequado para o uso de pessoas (inclusive crianças) com capacidades físicas, sensoriais e mentais reduzidas, ou inexperientes, a menos que sejam supervisionadas por uma pessoa responsável pela segurança destas mesmas pessoas. As crianças devem ser vigiadas para que não brinquem com o aparelho.

 **PERIGO:** A asfixia por monóxido de carbono pode ser fatal.

Os primeiros sintomas de asfixia por monóxido de carbono assemelham-se aos da gripe, com cefaleias, tonturas e/ou náusea. Tais sintomas podem ser causados pelo funcionamento defeituoso do aquecedor. CASO SURJAM TAIS SINTOMAS, SAIR IMEDIATAMENTE AO AR LIVRE E solicitar à assistência técnica o conserto do gerador.

1.1. ABASTECIMENTO:

- ▶ 1.1.1. O pessoal encarregado do fornecimento deve ser qualificado e ter total domínio das instruções do fabricante e das normas vigentes em matéria de abastecimento seguro dos geradores.
- ▶ 1.1.2. Usar somente o tipo de combustível expressamente especificado na placa de identificação do gerador.
- ▶ 1.1.3. Antes de efetuar o reabastecimento, desligue o gerador, e espere que esfrie.
- ▶ 1.1.4. Os tanques de armazenamento do combustível devem ficar em uma estrutura separada.
- ▶ 1.1.5. Todos os reservatórios do combustível devem estar a uma distância mínima de segurança do gerador, de acordo com as normas vigentes,
- ▶ 1.1.6. O combustível deve ser conservado em locais cujo pavimento não permita a penetração e o gotejamento do mesmo sobre chamas situadas em locais abaixo dele, que possam causar o seu acendimento.
- ▶ 1.1.7. A conservação do combustível deve ser efetuada em conformidade com a norma vigente.

1.2. SEGURANÇA:

- ▶ 1.2.1. Nunca utilizar o gerador em locais nos quais haja a presença de gasolina, solventes para tintas ou outros vapores altamente inflamáveis.
- ▶ 1.2.2. Durante o uso do aquecedor, respeitar todas as ordens locais e a normativa vigente.
- ▶ 1.2.3. Os geradores usados nas proximidades de toldos, cortinas, ou outros materiais semelhantes de cobertura, devem estar posicionados a uma distância mínima de segurança. Aconselha-se também de utilizar materiais de cobertura de tipo ignífugo.
- ▶ 1.2.4. Utilizar somente em áreas bem ventiladas. Preparar uma abertura adequada conforme as normas vigentes, a fim de introduzir ar fresco de fora.
- ▶ 1.2.5. Alimentar o gerador somente com corrente que tenha tensão e frequência especificadas na placa de identificação do aquecedor.
- ▶ 1.2.6. Usar apenas extensões de três fios adequadamente ligadas à massa.

- ▶ 1.2.7. Distâncias mínimas de segurança aconselhadas entre o gerador e as substâncias inflamáveis são: saída dianteira = 2,5 m (8 ft); de lado, na parte superior e atrás = 1,5 m (5 ft).
- ▶ 1.2.8. Colocar o gerador quente ou em funcionamento sobre uma superfície estável e nivelada, a fim de evitar riscos de incêndio.
- ▶ 1.2.9. Manter os animais a uma distância de segurança do aquecedor.
- ▶ 1.2.10. Tirar a alimentação ou a bateria do aquecedor quando não está a ser usado.
- ▶ 1.2.11. Quando é controlado por um termóstato, o gerador pode ligar a qualquer momento.
- ▶ 1.2.12. Nunca usar o gerador em aposentos frequentemente habitados, nem em quartos de dormir.
- ▶ 1.2.13. Quando o gerador está quente, conectado à rede elétrica, alimentado pela bateria ou em funcionamento nunca deve ser deslocado, manuseado ou submetido a nenhuma intervenção de manutenção.
- ▶ 1.2.14. Manter uma distância adequada dos materiais inflamáveis, ou termo lábeis (inclusive o cabo de alimentação) das partes quentes do aquecedor.
- ▶ 1.2.15. Se o cabo de alimentação ou a bateria estejam danificados, devem ser substituídos pelo centro de assistência técnica, de modo a prevenir qualquer risco (eliminar o material danificado de acordo com as normas em vigor).
- ▶ 1.2.16. Certificar-se de que o aquecedor esteja desligado antes de conectar o cabo de alimentação e/ou inserir a bateria recarregável, de modo a prevenir quaisquer riscos.
- ▶ 1.2.17. Utilizar exclusivamente as baterias recarregáveis originais explicitamente previstas. O uso de baterias recarregáveis não previstas pode provocar danos ou perigos de vida a pessoas, lesões, queimaduras, explosões, choques elétricos ou envenenamento.
- ▶ 1.2.18. Manter uma adequada distância de segurança entre a bateria recarregável desconectada e grampos, moedas, chaves, pregos, parafusos e outros pequenos objetos metálicos que poderiam provocar um eventual curto-circuito. Um eventual curto-circuito entre os contactos da bateria recarregável pode provocar danos ou perigo de vida a pessoas, lesões, queimaduras, explosões, etc..
- ▶ 1.2.19. O incorreto uso da bateria recarregável pode provocar vazamento de líquido da bateria. Evitar absolutamente o contacto com o líquido. Em caso de contacto accidental, enxaguar cuidadosamente com água. Procurar imediatamente um médico, se o líquido entrar em contacto com os olhos. O líquido vazado da bateria recarregável pode provocar irritações cutâneas ou queimaduras.
- ▶ 1.2.20. O incorreto uso da bateria recarregável pode provocar saída de vapores da bateria. Evitar absolutamente a inalação destes vapores. Deixar entrar ar fresco e em caso de inalação accidental procurar um médico em caso de mal estar. Os vapores podem irritar as vias respiratórias.
- ▶ 1.2.21. Para evitar graves riscos nunca tentar de abrir/desmontar a bateria recarregável.
- ▶ 1.2.22. Para evitar graves riscos proteger a bateria recarregável do calor (por exemplo irradiação solar contínua, fogo, água, humidade, etc).
- ▶ 1.2.23. Utilizar a bateria recarregável específica exclusivamente com este aquecedor para evitar perigosas sobrecargas.
- ▶ 1.2.24. Utilizar exclusivamente baterias recarregáveis dotadas da tensão indicada na placa dados técnicos do aquecedor. Se forem usadas outras baterias recarregáveis (por exemplo baterias de imitação, baterias regeneradas, bate-

rias da concorrência, etc.) há perigo de lesões e/ou explosões.

- ▶ 1.2.25. Carregar a bateria recarregável somente com carregadores de bateria originais. Cada bateria precisa do específico carregador de bateria para evitar riscos de incêndio e de explosão.
- ▶ 1.2.26. Utilizar somente as modalidades de alimentação elétrica previstas neste manual. É proibido trocar a modalidade de alimentação com o aquecedor em função, para evitar graves danos.
- ▶ 1.2.27. Quando o aquecedor é gerido pelo termostato ou se passa da alimentação elétrica com cabo à alimentação de bateria, o aquecedor se poderá desligar e entrar em modalidade stand-by (no ecrã aparece a sinalização “[]”), prestar a máxima atenção porque o aquecedor poderá reacender-se automaticamente a qualquer momento e poderá causar graves danos a objetos e a pessoas.

▶▶ 2. DESEMBALAGEM

Veja Fig. 1

- ▶ 2.1. Remover todos os materiais de embalagem utilizados para embalar e enviar o aquecedor e eliminá-los segundo as normas em vigor.
- ▶ 2.2. Extrair todos os artigos da embalagem.
- ▶ 2.3. Controlar eventuais danos sofridos durante o transporte. Se o aquecedor aparentar danos, informar imediatamente o concessionário junto ao qual foi adquirido.

▶▶ 3. DESCRIÇÃO ITENS

▶ 3.1. CABO DE ALIMENTAÇÃO (onde presente):

O CABO DE ALIMENTAÇÃO NÃO TEM A FUNÇÃO DE CARREGADOR DE BATERIA

(Fig. 5) O aquecedor pode funcionar ligado à rede elétrica através do cabo de alimentação. Verificar periodicamente o estado do cabo para evitar graves danos. Respeitar todas as advertências relativas ao cabo de alimentação referidas neste manual.

▶ 3.2. BATERIA (onde presente):

(Fig. 6)

NOTA: CONFORME A CAPACIDADE DA BATERIA (MEDIDA EM Ah), É NECESSÁRIO USAR UM CARREGADOR DE BATERIA ORIGINAL E DE POTÊNCIA ADEQUADA.

O aquecedor pode funcionar de modo autónomo com uma bateria recarregável original Li-ion, sem precisar ser conectado à rede elétrica. A bateria recarregável é fornecida parcialmente carregada e por esse motivo aconselha-se efetuar o ciclo de recarga completo antes de usar a bateria. Utilizar somente baterias originais para alimentar o aquecedor. Respeitar todas as advertências relativas à bateria referidas neste manual.

▶ 3.3. CARREGADOR DE BATERIAS (onde presente):

(Fig. 7) O carregador de bateria foi concebido para recarregar as baterias DE Li-ion originais. É preciso respeitar os parâmetros de funcionamento do carregador de bateria (ver placa dados aplicada no carregador de bateria). Utilizar o carregador de bateria em locais totalmente secos e protegidos de pó para carregar exclusivamente baterias recarregáveis originais que podem ser utilizadas para alimentar este aquecedor. O carregador de bateria é predisposto para gerir de modo automático o correto ciclo de recarga quando a bateria recarregável é conectada (Fig. 8). Um indicador luminoso colocado no carregador de bateria permite ter um diagnóstico pormenorizado durante a fase de busca (Fig. 9). Respeitar todas as advertências relativas ao carregador de bateria referidas neste manual.

▶▶ 4. COMBUSTÍVEL

ADVERTÊNCIA: O gerador funciona somente com GASÓLEO ou QUEROSENE.

Usar somente gasóleo ou querosene, para evitar riscos de incêndio ou de explosão. Nunca utilizar de gasolina, nafta, solventes para tintas, álcool ou outros combustíveis altamente inflamáveis.

Usar aditivos anticongelantes não tóxicos em caso de temperaturas muito baixas.

▶▶ 5. PRINCÍPIO DE FUNCIONAMENTO

Veja Fig. 2

O ar necessário para garantir uma correta combustão é produzido pela rotação de uma ventoinha interna ao queimador. O fluxo do ar sai do tubo do queimador e mistura-se com o combustível que é pulverizado por um bico a pressão elevada. O combustível pulverizado pelo bico é garantido por uma bomba elétrica que aspira o combustível pelo reservatório e o empurra a alta pressão para o bico.

▶▶ 6. FUNCIONAMENTO

ADVERTÊNCIA: Ler atentamente as "INFORMAÇÕES SOBRE A SEGURANÇA" antes de ligar o gerador.

IMPORTANTE: Depois da primeira falha de acendimento do gerador verificar a presença de combustível no reservatório, certificar-se que o filtro de combustível esteja limpo e certificar-se que o gerador esteja posicionado em uma superfície plana e estável.

IMPORTANTE: O presente dispositivo é um aquecedor a infravermelhos. Aquece objetos, não o ar.

IMPORTANTE: Para alterar o tipo de alimentação elétrica da bateria ao cabo e vice-versa, desligar o aquecedor seguindo rigorosamente todo o procedimento de modo a evitar danos graves.

▶ 6.1. LIGAÇÃO DO GERADOR:

- ▶ 6.1.1. Seguir todas as instruções relacionadas à segurança.
- ▶ 6.1.2. Controlar a presença de combustível no reservatório.
- ▶ 6.1.3. Fechar a tampa do reservatório.
- ▶ 6.1.4. Ligar a ficha de alimentação à rede elétrica ou à bateria carregada (VER A TENSÃO NA "TABELA DADOS TÉCNICOS") (Fig. 10-11).
- ▶ 6.1.5. Colocar o interruptor "ON/OFF" na posição "ON" (I) (A Fig. 3). O gerador deverá ligar dentro de poucos segundos. Se o aquecedor não se inicializar consultar o parágrafo para a identificação do problema (Parág. 10).

N.B.: EM CASO DE DESLIGAMENTO DO GERADOR DEVIDO A ESGOTAMENTO DE COMBUSTÍVEL, DESLIGAR O AQUECEDOR, ABASTECER O RESERVATÓRIO E VOLTAR A ACENDÊ-LO (VER PARÁG. 5.1.).

▶ 6.2. DESLIGAMENTO DO GERADOR:

ATENÇÃO: NÃO TIRAR A TENSÃO OU DESLIGAR O CABO DE ALIMENTAÇÃO OU REMOVER A BATERIA ATÉ AO COMPLETO ARREFECIMENTO DO AQUECEDOR (cerca de 5 minutos).

- ▶ 6.2.1. Colocar o interruptor "ON/OFF" na posição "OFF" (0) (A Fig. 3).

▶▶ 6.3. LIGAÇÃO DO TERMÓSTATO AMBIENTE (opcional):

ATENÇÃO: O TERMÓSTATO AMBIENTE (OPCIONAL) FUNCIONA APENAS QUANDO O AQUECEDOR ESTÁ ALIMENTADO PELO CABO DE ALIMENTAÇÃO.

ATENÇÃO: QUANDO O AQUECEDOR É GERIDO PELO TERMÓSTATO AMBIENTE (OPCIONAL), O DESLIGAMENTO E O REACENDIMENTO DO AQUECEDOR É AUTOMÁTICO.

Remover a tampa conectada ao aquecedor e ligar o termostato ambiente (opcional) (C Fig. 3).

- ▶ 7.2. Extrair o filtro do reservatório.
- ▶ 7.3. Desapertar a porca (B Fig. 4).
- ▶ 7.4. Remover o filtro (C Fig. 4).
- ▶ 7.5. Limpar o filtro com combustível limpo, prestando atenção para não danificá-lo.
- ▶ 7.6. Montar novamente o filtro no reservatório.

▶▶ 8. CONSERVAÇÃO E TRANSPORTE
A FIM DE CONSERVAR E/OU TRANSPORTAR DA MELHOR FORMA O AQUECEDOR, ACONSELHA-SE SEGUIR O PROCEDIMENTO SEGUINTE:

- ▶ 8.1. Esvaziar o reservatório do combustível.
- ▶ 8.2. Ao notar a presença de resíduos, colocar combustível limpo no reservatório e descarregar novamente.
- ▶ 8.3. Fechar a tampa do reservatório e eliminar o combustível de modo apropriado e segundo as normas vigentes.
- ▶ 8.4. A fim de conservar da melhor forma o aquecedor, aconselha-se mantê-lo em posição nivelada, para evitar o vazamento de combustível, e conservá-lo em um local seco, reparado de possíveis danos externos.

pt

▶▶ 7. LIMPEZA DO FILTRO COMBUSTÍVEL

Veja Fig. 4

DE ACORDO COM A QUALIDADE DO COMBUSTÍVEL QUE É UTILIZADO, A LIMPEZA DO FILTRO PODE SER NECESSÁRIA.

- ▶ 7.1. Remover a tampa posicionada no reservatório (A Fig. 4).

▶▶ 9. ERROS DO ECRÃ

Veja B Fig. 3

ERRO	CAUSA	SOLUÇÃO
ERRO OPERACIONAL		
F0	1. O interruptor "ON/OFF" está na posição "ON" (I) quando o gerador for conectado à rede elétrica	1. Após desconectar o gerador da rede elétrica, posicione o interruptor no posicionamento "OFF" (O), reconecte a ficha na rede elétrica e coloque o interruptor em "ON" (I)
ERRO FOTOCÉLULA		
F1	1. Não há combustível 2. Carburante sujo 3. Focélula suja ou avariada 4. Filtro de combustível sujo 5. Erro de acendimento	1. Posicione o interruptor na posição "OFF" (O) e encha o reservatório de carburante 2. Posicione o interruptor na posição "OFF" (O), esvazie e encha o reservatório de carburante (VER PARÁG. 6) 3. Dirija-se ao centro de assistência 4. VER PARÁG. 6 5. Dirija-se ao centro de assistência
ERRO SENSOR DE CONTROLO DE TEMPERATURA		
F2	1. Cabo interrompido 2. Sensor avariado	1. Dirija-se ao centro de assistência 2. Dirija-se ao centro de assistência
ERRO TERMÓSTATO		
F3	1. Gerador em sobreaquecimento interno 2. Sensor anti-inversão	1. Desligue o gerador e aguarde que o aparelho esteja completamente arrefecido 2. Posicionar a estufa em uma superfície plana e estável
TENSÃO NÃO ADEQUADA		
F4	1. Tensão não adequada	1. Verificar a tensão correta do seu sistema
FALHA DE ACENDIMENTO EM TRÊS TENTATIVAS		
FF	1. Falta de combustível 2. Filtro de combustível sujo 3. Focélula suja ou defeituosa 4. Bico sujo ou defeituoso 5. Intervenção do sensor antitilting	1. Dirija-se ao centro de assistência 2. Dirija-se ao centro de assistência 3. Dirija-se ao centro de assistência 4. Dirija-se ao centro de assistência 5. Dirija-se ao centro de assistência
BATERIA DESCARREGADA		
PF	1. Bateria descarregada	1. Recarregar a bateria
AQUECEDOR EM STAND-BY		
[]	1. Termostato ligado 2. Passagem da alimentação com cabo à bateria	1. Temperatura do termostato configurada abaixo da temperatura ambiente 2. Reacendimento automático

►► 10. PROGRAMA DE MANUTENÇÃO PREVENTIVA

ADVERTÊNCIA: ANTES DE EFETUAR QUALQUER MANUTENÇÃO OU REPARO, DESLIGUE O CABO DE ALIMENTAÇÃO DA REDE ELÉTRICA E CERTIFIQUE-SE DE O GERADOR ESTEJA ARREFECIDO.

SE O AQUECEDOR FOR USADO EM AMBIENTES PARTICULARMENTE EMPOEIRADOS, É NECESSÁRIO EFETUAR OPERAÇÕES DE MANUTENÇÃO E LIMPEZA MAIS FREQUENTES.

COMPONENTE	FREQUÊNCIA DE MANUTENÇÃO	PROCEDIMENTO DE MANUTENÇÃO
Reservatório de combustível	Limpe a cada 150-200 horas de trabalho ou conforme a necessidade	Esvazie e enxague o reservatório com combustível limpo
Bico ejetor	Limpe ou substitua uma vez em cada estação de trabalho ou conforme a necessidade	Consulte o centro de assistência
Fotocélula	Limpe uma vez em cada estação de trabalho ou conforme a necessidade	Consulte o centro de assistência
Filtro do combustível	Limpe ou substitua duas vezes por estação de trabalho ou conforme a necessidade	Limpe o filtro com combustível limpo
Acendedor	Limpe ou substitua a cada 1.000 horas de trabalho ou conforme a necessidade	Consulte o centro de assistência
Pás da ventoinha	Limpe de acordo com a necessidade	Consulte o centro de assistência


pt


►► 11. IDENTIFICAÇÃO DE PROBLEMAS

PROBLEMA	POSSÍVEL CAUSA	POSSÍVEL SOLUÇÃO
O gerador não se ativa	<ol style="list-style-type: none"> Gerador em bloqueio Interruptor em posição "OFF" (0) Ausência de tensão Cabo de alimentação interrompido Placa de controlo em bloqueio Configuração errada do termóstato ambiente Intervenção do limite do sensor temperatura Fusível avariado 	<ol style="list-style-type: none"> Desligue e ligue novamente o gerador Coloque o interruptor na posição "ON" (I) 3A. Insira corretamente o cabo de alimentação à ficha de rede elétrica 3B. Verifique o sistema de rede 3C. Dirija-se ao centro de assistência 3D. Bateria descarregada 4. Dirija-se ao centro de assistência 5A. Desligue e ligue novamente o gerador 5B. Identifique o erro no ecrã 5C. Dirija-se ao centro de assistência 6. Atue no termóstato ambiente, colocando-o em uma temperatura superior ao do ambiente de trabalho 7A. Aguarde pelo menos dez minutos e tente ligar novamente 7B. Dirija-se ao centro de assistência 8. Dirija-se ao centro de assistência
O motor/bomba aciona-se mas a chama não se acende	<ol style="list-style-type: none"> Não há combustível Acendedor sujo Filtro de combustível sujo Bico ejetor sujo Fotocélula suja, defeituosa ou não instalada corretamente Presença de substâncias estranhas no reservatório Eléctrodos consumidos ou posicionados em distância incorreta 	<ol style="list-style-type: none"> Desligue o gerador, abasteça o reservatório de combustível e ligue novamente o aparelho Dirija-se ao centro de assistência Limpe o filtro com combustível limpo Dirija-se ao centro de assistência Dirija-se ao centro de assistência Esvazie e encha novamente o reservatório com combustível limpo Dirija-se ao centro de assistência
A ventoinha está bloqueada ou gira lentamente	<ol style="list-style-type: none"> Motor avariado 	<ol style="list-style-type: none"> Dirija-se ao centro de assistência

VIGTIGT: DENNE INSTRUKTION SKAL LÆSSES OMHYGGELIGT FØR MONTERING, TÆNDING ELLER VEDLIGEHOOLDELSE AF GENERATOREN. FORKERT BRUG AF GENERATOREN KAN MEDFØRE ALVORLIGE SKADER. DENNE INSTRUKTION SKAL GEMMES FOR SENERE BRUG OG KONSULTATION.

►► 1. INFORMATIONER VEDRØRENDE SIKKERHED (ADVARSLER)

 **VIGTIGT:** Denne luftvarmer er designet til mobile og midlertidige professionel anvendelse. Den er ikke designet til husholdningsbrug eller til termisk komfort for mennesker.

 **VIGTIGT:** Apparatet bør ikke anvendes af personer (inkl. børn) med nedsatte fysiske, sensoriske og mentale evner eller uerfarne personer, medmindre de bliver overvåget af en person, der er ansvarlig for deres sikkerhed. Børn skal være under opsyn for at sikre, at de ikke leger med apparatet.

 **FARE:** Iltmangel på grund af kulilte-dampe kan være dødeligt.

De første symptomer på kulilteforgiftning minder om symptomerne for influenza med hovedpine svimmelhed og/eller kvalme. Disse symptomer kan skyldes en defekt på varmeapparatet. HVIS DISSE SYMPTOMER SKULLE OPSTÅ, SKAL MAN STRAKS SØGE UD I DEN FRI LUFT og få varmeapparatet repareret af et teknisk servicecenter.

1.1. BRÆNDSTOFPÅFYLDNING:

- 1.1.1. Personalet, der påfylder brændstof, skal være kvalificeret og fuldt fortrolig med fabrikantens anvisninger og med de gældende regler for sikker brændstofpåfyldning af varmeapparater.
- 1.1.2. Anvend kun den type brændstof, der udtrykkeligt er angivet på varmeapparatets typeskilt.
- 1.1.3. Sluk varmeapparatet og vent til det er kølet ned før brændstofpåfyldning.
- 1.1.4. Beholderne til opbevaring af brændstoffet skal opbevares i en anden bygning.
- 1.1.5. Alle brændstoftanke skal befinde sig på sikker afstand af varmeapparatet i henhold til gældende regler.
- 1.1.6. Brændstoffet skal opbevares i rum, hvor gulvet ikke tillader gennemtrængning og drypning af brændstof på underliggende flammer der kan antænde brændstoffet.
- 1.1.7. Opbevaring af brændstof skal udføres i henhold til de gældende regler.

1.2. SIKKERHED:

- 1.2.1. Anvend aldrig varmeapparatet i rum, hvor der er benzin, opløsningsmidler eller andre letantændelige dampe.
- 1.2.2. Under brugen af varmeapparatet skal alle lokale vedtægter og gældende lovgivning følges.
- 1.2.3. Varmeapparater, der anvendes i nærheden af presenninger, telte eller lignende afdækningsmaterialer skal placeres i sikker afstand fra disse. Det anbefales også at bruge brandsikre afdækningsmaterialer.
- 1.2.4. Må kun anvendes i godt ventilerede rum. Sørg for, at der er en passende åbning i henhold til de gældende regler for at sikre, at der kommer frisk luft ind udefra.
- 1.2.5. Varmeapparatet må kun få strøm fra en strømkilde med den spænding og frekvens der er angivet på varmeapparatets mærkeplade.
- 1.2.6. Anvend kun forlængerledninger med korrekt jordforbindelse.

- 1.2.7. De mindste anbefalede sikkerhedsafstande mellem varmeapparatet og brændbare stoffer er: udløb foran = 2,5 m (8 ft.); på siden, ovenpå og på bagsiden = 1,5 m (5 ft.).
- 1.2.8. Placer varmeapparatet på et fast, plant underlag, når det er i drift eller er varmt, for at undgå risikoen for brand.
- 1.2.9. Hold kæledyr på sikker afstand af varmeapparatet.
- 1.2.10. Kobl strømtilførslen eller batteriet fra varmeapparatet, når det ikke er i brug.
- 1.2.11. Når varmeapparatet er styret af en termostat, kan det tænde til enhver tid.
- 1.2.12. Anvend aldrig varmeapparatet i rum, hvor man opholder sig meget, eller i soveværelser.
- 1.2.13. Varmeapparatet må aldrig flyttes, håndteres, eller udsættes for brændstofpåfyldning eller vedligeholdelse, når det er varmt, tilsluttet elektricitetsnettet eller batteriet eller er i drift.
- 1.2.14. Oprethold tilstrækkelig afstand til brændbare materialer eller varmelabile materialer (herunder det strømførende kabel) fra de varme dele af varmeapparatet.
- 1.2.15. Hvis strømkablet eller batteriet forekommer beskadiget, skal det udskiftes af servicecenteret for at forebygge enhver risiko (det beskadigede materiale skal bortskaffes i overensstemmelse med gældende regler).
- 1.2.16. For at undgå enhver risiko bør varmeapparatet være slukket, inden strømforsyningskablet og/eller det genopladelige batteri tilsluttes.
- 1.2.17. Anvend udelukkende originale og udtrykkeligt specificerede genopladelige batterier til varmeapparatet. Brugen af forkerte batterier kan medføre personska- de eller livsfare, kvæstelser, forbrændinger, eksplosion, elektrochok eller forgiftning.
- 1.2.18. Oprethold sikker afstand mellem det genopladelige batteri og papirclips, mønter, nøgler, søm, skruer eller andre små metalgenstande, der eventuelt kan forårsage kortslutning. En eventuel kortslutning mellem kontakterne på batteriet kan forårsage skader eller livsfare for personer, forbrændinger, eksplosioner, osv..
- 1.2.19. Forkert brug af det genopladelige batteri kan forårsage lækage af batterivæske. Enhver kontakt med batterivæske må absolut undgås. Ved uheld med batterivæske skylles grundigt med vand. Hvis batterivæsken kommer i kontakt med øjnene skal der straks søges læge. Batterivæske der løber ud af det genopladelige batteri kan forårsage hudirritationer og forbrændinger.
- 1.2.20. Forkert brug af det genopladelige batteri kan forårsage lækage af dampe fra batteriet. Indånding af sådanne dampe må absolut undgås. Sørg for rigelig udluftning hvis dampene fra batteriet indåndes og ved ildebefindende skal der straks søges læge. Dampene fra batteriet kan irritere luftvejene.
- 1.2.21. For at undgå alvorlige risici bør det genopladelige batteri aldrig åbnes eller skilles ad.
- 1.2.22. For at undgå alvorlige risici bør batteriet beskyttes fra varme (fx solenergi, fra kontinuerlig påvirkning fra solens stråler, ild, vand, fugt, osv.).
- 1.2.23. For at undgå farlig overbelastning bør det for varmeapparatet specifikke genopladelige batteri kun anvendes med varmeapparatet.
- 1.2.24. Brug kun originale genopladelige batterier med den rette spændingsangivelse, som angivet på typeskil-

tet af varmeapparatet. I tilfælde af brug af andre genopladelige batterier (f.eks. imitationer af batterimodellen, regenererede batterier, batterier fra konkurrenter, osv.) er der fare for personskade og/eller eksplosion.

- ▶ 1.2.25. Det genopladelige batteri bør kun genoplades med originale opladere. Ethvert batteri skal oplades med sin specifikke oplader for at undgå risiko for brand og eksplosion.
- ▶ 1.2.26. Der bør kun anvendes strømforsyning som foreskrevet i denne vejledning. For at undgå alvorlige skader er det forbudt at ændre strømforsyning mens varmeapparatet er i funktion.
- ▶ 1.2.27. Når varmeapparatet er styret af en termostat, eller der skiftes fra strømforsyning via strømkablet til batteriet, kan det slukke eller gå på stand-by (på displayet vises tegnet "[]"), vær yderst forsigtig, da varmeapparatet kan tænde på et hvilket som helst tidspunkt og forårsage alvorlig skade på personer og ejendom.

▶▶ 2. UDPAKNING

Se Fig. 1

- ▶ 2.1. Al emballage, der anvendes til at emballere og sende varmeapparatet fjernes og bortskaffes i henhold til gældende normer.
- ▶ 2.2. Fjern alle genstande fra emballagen.
- ▶ 2.3. Kontroller for eventuelle skader forårsaget under transporten. Hvis apparatet er beskadiget skal forhandleren, hvor apparatet er købt, straks informeres.

▶▶ 3. BESKRIVELSE TILBEHØR

▶ 3.1. STRØMKABEL (hvis til stede):

STRØMFORSYNINGSKABLET HAR INGEN GENOPLADELIG VIRKNING PÅ BATTERIET.

(Fig. 5). Varmeapparatet kan fungere, når det tilsluttes elnettet ved hjælp af strømforsyningskablet. For at undgå alvorlige skader, bør kablet kontrolleres regelmæssigt. Alle advarsler vedrørende strømforsyningskablet, beskrevet i denne vejledning, bør overholdes.

▶ 3.2. BATTERI (hvor dette medfølger):

(Fig. 6)

BEMÆRKNINGER: DER SKAL ANVENDES EN ORIGINAL OG TILSTRÆKKELIG STÆRK OPLADER ALT EFTER BATTERIETS KAPACITET (MÅLT I Ah).

Varmeapparatet kan fungere selvstændigt med et originalt og genopladeligt Li-ion-batteri, uden at være tilsluttet elnettet. Det genopladelige batteri leveres delvist opladet og derfor anbefales det at udføre en komplet opladning af batteriet før det tages i brug. Der bør kun anvendes originale batterier til varmeapparatet. Alle advarsler vedrørende batteriet, beskrevet i denne vejledning, bør overholdes.

▶ 3.3. OPLADER TIL BATTERIER (hvor dette medfølger):

(Fig. 7) Opladeren er konstrueret til at oplade de originale Li-ion-batterier. Det er nødvendigt at respektere parametrene for opladeren (se typeskiltet på opladeren). Opladeren skal anvendes på steder hvor der er helt tørt og beskyttet mod støv, og kun til at genoplade de originale genopladelige batterier, der anvendes til at give strøm til dette varmeapparat. Opladeren er konstrueret til automatisk at styre den korrekte opladning af batteriet, når batteriet er tilsluttet (Fig. 8). En indikator placeret på opladeren gør det muligt at foretage en detaljeret vurdering under opladning (Fig.

9). Alle advarsler vedrørende opladeren, beskrevet i denne vejledning, bør overholdes.

▶▶ 4. BRÆNDSTOF

ADVARSEL: Varmeapparatet virker kun med DIESEL eller PETROLEUM.

Anvend kun diesel eller petroleum for at undgå risiko for brand eller eksplosion. Der må aldrig anvendes benzin, nafta, opløsningsmidler, sprit eller andre letantændelige brændstoffer.

Anvend ikke-giftige frostvæskeadditiver i tilfælde af meget lave temperaturer.

▶▶ 5. DRIFTSPRINCIP

Se Fig. 2

Den luft, der er nødvendig for at sikre en korrekt forbrænding, leveres af en blæser inde i brænderen. Luftstrømmen kommer ud af brænderens rør og blandes med det brændstof, der forstøves af en dyse ved højt tryk. Brændstoffet, som forstøves af dysen, leveres af en elektrisk pumpe, der suger brændstoffet op af tanken og leder det til dysen med højt tryk.

▶▶ 6. BRUG

ADVARSEL: Læs "SIKKERHEDSINFORMATIONERNE" før varmeapparatet tændes.

VIGTIGT: Efter første manglende opstart af varmeren skal det kontrolleres, at der er brændstof i tanken, at brændstoffilteret er rent, og at varmeapparatet er placeret på en flad, stabil overflade.

VIGTIGT: Denne enhed er et infrarødt varmeapparat. Den opvarmer ting, ikke luft.

VIGTIGT: Sluk varmeapparatet ved at følge hele proceduren omhyggeligt for at skifte strømforsyning fra batteri til kabel eller omvendt for at undgå alvorlige skader.

▶ 6.1. TÆNDING AF VARMEAPPARATET:

- ▶ 6.1.1. Følg alle sikkerhedsinstrukser.
- ▶ 6.1.2. Kontroller, at der er brændstof i tanken.
- ▶ 6.1.3. Luk tankdækslet.
- ▶ 6.1.4. Sæt stikket i stikkontakten eller tilslut det opladede batteri (SE SPÆNDING I "TEKNISKE DATATABEL") (Fig. 10-11).
- ▶ 6.1.5. Sæt "ON/OFF" afbryderen på "ON" (I) (A Fig. 3). Varmeapparatet kan tænde inden for få sekunder. Hvis varmeapparatet ikke tænder, henvises til afsnittet identifikation af problem (afsnit 10).

N.B.: HVIS VARMEAPPARATET SLUKKER FORDI DER MANGLER BRÆNDSTOF, SKAL DET SLUKKES, HVOREFTER DER PÅFYLDES BRÆNDSTOF, OG DET TÆNDES IGEN (SE AFSNIT 5.1.).

▶ 6.2. SLUKNING AF VARMEAPPARATET:

GIV AGT: UNDLAD AT AFBRYDE STRØMMEN, FRAKOBLE STRØMFORSYNINGSKABLET ELLER FJERNE BATTERIET, FØR VARMEAPPARATET ER HELT AFKØLET (cirka 5 min.).

- ▶ 6.2.1. Sæt "ON/OFF" afbryderen på "OFF" (0) (A Fig. 3).

► **6.3. TILSLUTNING AF RUMTERMOSTAT (ekstraudstyr):**

GIV AGT: RUMTERMOSTATEN (EKSTRAUDSTYR) VIRKER KUN, NÅR VARMEAPPARATET STRØMFORSYNES MED KABEL.

GIV AGT: NÅR VARMEAPPARATET STYRES AF RUMTERMOSTATEN (EKSTRAUDSTYR), SKER SLUKNING OG TÆNDING AF VARMEAPPARATET AUTOMATISK.

Fjern proppen fra varmeapparatet og tilslut rumtermostaten (ekstraudstyr) (C Fig. 3).

►► **7. RENGØRING AF BRÆNDSTOFFILTER**

Se Fig. 4

AFHÆNGIGT AF KVALITETEN AF DET BRÆNDSTOF, DER BRUGES, KAN DET BLIVE NØDVENDIGT AT RENGØRE FILTERET.

- 7.1. Tag tankdækslet af (A Fig. 4).
- 7.2. Tag filteret ud af tanken.

- 7.3. Løsn møtrikken (B Fig. 4).
- 7.4. Træk filteret ud (C Fig. 4).
- 7.5. Rens filteret med rent brændstof, og vær opmærksom på ikke at beskadige det.
- 7.6. Sæt filteret tilbage i tanken.

►► **8. OPBEVARING OG TRANSPORT FOR AT OPBEVARE OG/ELLER TRANSPORTERE VARMEAPPARATET PÅ BEDST MULIG MÅDE ANBEFALES DET AT FØLGE NEDENSTÅENDE PROCEDURE:**

- 8.1. Tøm tanken for brændstof.
- 8.2. Hvis der er rester skal man hælde rent brændstof i tanken og tømme den igen.
- 8.3. Luk tankdækslet og bortskaf brændstoffet korrekt og i henhold til gældende regler.
- 8.4. For at opbevare varmeapparatet på bedst mulig måde, anbefales det at opbevare det i vandret position for at forhindre, at der løber brændstof ud, på et tørt, beskyttet sted.

►► **9. FEJL PÅ DISPLAYET**

Se B Fig. 3

FEJL	ÅRSAG	LØSNING
BETJENINGSFEJL		
F0	1. "ON/OFF" knappen er indstillet i "ON" position (I) når generatoren er tilsluttet til elnettet	1. Afbryd generatoren fra elnettet og indstil knappen i "OFF" position (O), tilslut til stikkontakten og sæt knappen i "ON" position (I)
FEJL I FOTOCELLEN		
F1	1. Mangel af brændstof 2. Brændstof er forurenede 3. Fotocellen er blevet beskadiget eller forurenede 4. Brændstoffiltret er forurenede 5. Fejl i tænderen	1. Sæt knappen i "OFF" position (O), fyld tanken med brændstoffet 2. Sæt knappen i "OFF" position (O) tøm tanken og fyld igen med brændstoffet. Rens filtret med rent brændstof og pas på ikke at beskadige det (KIG STYKKE. 6) 3. Kontakt teknisk service 4. KIG STYKKE. 6 5. Kontakt teknisk service
FEJL I KONTROL FOR TEMPERATURSENSOREN		
F2	1. Kabel afbrudt 2. Sensoren er beskadiget	1. Kontakt teknisk service 2. Kontakt teknisk service
FEJL AF TERMOSTATEN		
F3	1. Indvendig overophedning af generatoren 2. Tiltensor	1. Sluk generatoren og vent til den bliver helt afkølet 2. Placér brændeovnen på en flad og stabil overflade
UEGNET SPÆNDING		
F4	1. Uegnet spænding	1. Kontroller, at spændingen i jeres anlæg er korrekt
MANGLENDE OPSTART EFTER TRE FORSØG		
FF	1. Mangel på brændstof 2. Brændstoffilteret er beskidt 3. Fotocellen er beskidt eller defekt 4. Dyse snavset eller defekt 5. Aktivering af anti-vælte sensor	1. Kontakt teknisk service 2. Kontakt teknisk service 3. Kontakt teknisk service 4. Kontakt teknisk service 5. Kontakt teknisk service
BATTERIET ER AFLADET		
PF	1. Batteriet er afladet	1. Oplad batteriet
VARMEAPPARATET ER PÅ STAND-BY		
[]	1. Termostat er tilsluttet 2. Overgang fra strømforsyning med kabel til batteri	1. Termostatens temperatur er indstillet under omgivelsernes temperatur 2. Automatisk genstart

►► 10. FOREBYGGENDE VEDLIGEHOLDELSSESSKEMA

**OBS: BEMÆRK VENLIGST: FØR DU STARTER MED VEDLIGEHOLDELSesarbejde eller reparatio-
ner, afbryd kablet fra elnettet og tjek, om generatoren er kold.**

**HVIS VARMEAPPARATET ANVENDES I SÆRLIGT STØVEDE OMGIVELSER, ER DET NØDVENDIGT AT UD-
FØRE HYPPIGERE INDGREB MED VEDLIGEHOLDELSE OG RENGØRING.**

ELEMENT	HYPPIGHED AF VEDLIGEHOLDELSE	VEDLIGEHOLDELSESPROCEDUR
Brændstoftank	Skal rengøres efter 150-200 timers drift afhængigt af forurening	Tøm tanken og skyld ved hjælp af rent brændstof
Dyse	Skal rengøres eller udskiftes en gang i løbet af en arbejdsæson afhængigt af forurening	Kontakt teknisk service
Fotocelle	Skal rengøres en gang i løbet af arbejdsæsonen, afhængigt af brug	Kontakt teknisk service
Brændstoffilter	Skal rengøres en gang i løbet af arbejdsæsonen, afhængigt af brug	Rengør brændstoffiltret ved hjælp af rent brændstof
Tændersystem	Skal rengøres eller udskiftes hver 1.000 timers arbejde, eller afhængigt af brug	Kontakt teknisk service
Rotorblade	Skal rengøres afhængigt af brug	Kontakt teknisk service


da


►► 11. FEJLFINDING


FEJL	MULIG ÅRSAG	MULIG LØSNING
Generatoren ikke starter	<ol style="list-style-type: none"> 1. Generatoren er blokeret 2. Knappen er indstillet i "OFF" position (0) 3. Mangel af strøm 4. Kablet er afbrudt 5. Betjeningskortet er blokeret 6. Forkert indstilling af rumtermostaten 7. Aktivering af temperatursensoren 8. Defekt sikring 	<ol style="list-style-type: none"> 1. Sluk og tænd for generatoren 2. Knappen skal sættes på i "ON" position (I) 3A. Indfør kablet korrekt i stikkontakten 3B. Tjek elnettet 3C. Kontakt teknisk service 3D. Batteriet er afladet 4. Kontakt teknisk service 5A. Sluk og tænd for generatoren 5B. Find fejl på displayet 5C. Kontakt teknisk service 6. Reguler rumtermostaten ved at indstille den på højere temperatur end den, som er i rummet 7A. Vent i cirka 10 minutter og derefter prøv at gå videre til tænding fase 7B. Kontakt teknisk service 8. Kontakt teknisk service
Motoren/pumpen starter, men flammen kommer ikke frem	<ol style="list-style-type: none"> 1. Mangel af brændstof 2. Tændingenheden er forurenet 3. Brændstoffiltret er forurenet 4. Dysen er forurenet 5. Fotocellen er forurenet, beskadiget eller forkert monteret 6. Tilstedeværelse af fremmede stoffer i tanken 7. Slidte elektroder eller indstillet i en forkert afstand 	<ol style="list-style-type: none"> 1. Sluk for generatoren, fyld den med brændstoffet og tænd igen 2. Kontakt teknisk service 3. rens filtret ved hjælp af rent brændstof 4. Kontakt teknisk service 5. Kontakt teknisk service 6. Tøm tanken og fyld igen med brændstoffet 7. Kontakt teknisk service
Rotoren er blokeret eller drejer for langsomt	<ol style="list-style-type: none"> 1. Motoren er beskadiget 	<ol style="list-style-type: none"> 1. Kontakt teknisk service

**HUOM: LUE ALLA OLEVAT OHJEET ENNEN GENERAATTORIN ASENNUKSEN, KÄYTTÖÖN-
OTON TAI HUOLLON ALOITTAMISTA. GENERAATTORIN VÄÄRINKÄYTTÖ VOI AIHEUTTAA
VAKAVAN LOUKKAANTUMISVAARAN. TÄTÄ KÄYTTÖOHJETTA ON SÄILYTETTÄVÄ TULEVAN
KÄYTÖN VARALTA.**

►► 1. TURVALLISUUS-TIEDOT (VAROITUKSET)

 **TÄRKEÄÄ:** Lämmityslaite on tarkoitettu liikkuviin ja väliaikaisiin ammattimaisiin sovelluksiin. Sitä ei ole tarkoitettu kotitalouskäyttöön eikä henkilökohtaiseen lämmitykseen.

 **TÄRKEÄÄ:** Tämä laite ei sovellu fyysisesti tai henkisesti rajoittuneiden henkilöiden käyttöön (lapset mukaan lukien) tai henkilöiden, joilla ei ole käyttöön liittyvää kokemusta, ellei heidän toimintaansa valvo ja opeta heidän turvallisuudesta vastaavat henkilöt. Lapsia on valvottava, jotta he eivät leiki laitteella.

 **VAARA:** Hiilimonoksidin hengittäminen voi aiheuttaa kuolemanvaaran.

Ensimmäiset häikämyrkytyksen oireet muistuttavat influenssaa sisältäen päänsärkyä, huimausta ja/tai pahoinvointia. Kyseiset oireet voivat johtua lämmityslaitteen viallisesta toiminnasta. JOS NÄITÄ OIREITA ILMENEE, SIIRRY HETI ULKOILMAAN ja anna lämmityslaite korjattavaksi tekniseen huoltokeskukseen.

1.1. TANKKAUS:

- 1.1.1. Tankkauksesta huolehtivan henkilöstön on oltava ammattitaitoinen ja tunnettava valmistajan antamat ohjeet sekä generaattoreiden turvalliseen tankkaamiseen liittyvät voimassa olevat määräykset.
- 1.1.2. Käytä yksinomaan lämmityslaitteen kilvessä mainittua polttoainetyyppeä.
- 1.1.3. Ennen tankkauksen suorittamista sammuta lämmityslaite ja odota, että se jäähtyy.
- 1.1.4. Polttoaineen varastointisäiliöitä on pidettävä erillisessä rakennuksessa.
- 1.1.5. Kaikkien polttoainesäiliöiden on oltava minimin turvaetäisyyden päässä lämmityslaitteesta voimassa olevien lakien mukaisesti.
- 1.1.6. Polttoainetta on säilytettävä tiloissa joiden lattia ei salli sen tunkeutumista ja tihkumista alla oleviin liekkeihin, jotka voivat saada sen syttymään.
- 1.1.7. Polttoainetta on säilytettävä voimassa olevien asetusten mukaisesti.

1.2. TURVALLISUUS:

- 1.2.1. Älä koskaan käytä lämmityslaitetta tiloissa joissa on bensiiniä, maaleille tarkoitettuja liuotainaineita tai muita erittäin tulenarkoja höyryjä.
- 1.2.2. Lämmityslaitteen käytön aikana noudata kaikkia paikallisia määräyksiä ja voimassa olevia lakeja.
- 1.2.3. Lähellä pressuja, verhoja tai muita samankaltaisia peitemateriaaleja käytettyjä lämmityslaitteita on pidettävä turvaetäisyydellä niistä. Palonkestävien peitemateriaalien käyttö on lisäksi suositeltavaa.
- 1.2.4. Käytä yksinomaan kunnolla tuuletetuissa tiloissa. Valmistele sopiva ilmanottoaukko voimassa olevien määräysten mukaisesti, jotta raikasta ilmaa saataisiin ulkoa.
- 1.2.5. Syötä lämmityslaitetta yksinomaan sen tunnistekilvessä merkityllä sähköjännitteellä ja -taajuudella.
- 1.2.6. Käytä yksinomaan kolmijohdin jatkojohtoja, jotka on maadoitettu.

- 1.2.7. Suositeltavat vähimmäisturvaetäisyydet lämmittimen ja syttyvien aineiden välillä ovat: edessä = 2,5 m; sivussa, yläpuolella ja takana = 1,5 m.
- 1.2.8. Aseta kuuma, käynnissä oleva lämmityslaite vakaalle ja tasaiselle pinnalle, jotta tulipalovaaraa voitaisiin välttää.
- 1.2.9. Pidä eläimiä turvaetäisyydellä lämmityslaitteesta.
- 1.2.10. Poista lämmityslaitteen virransyöttö tai akku, kun sitä ei käytetä.
- 1.2.11. Termostaatin ohjaama lämmityslaite voi käynnistyä minä hetkenä hyvänsä.
- 1.2.12. Älä koskaan käytä lämmityslaitetta yleisesti asu-tiloissa tiloissa tai makuuhuoneissa.
- 1.2.13. Kun lämmityslaite on kuuma, sähköverkkoon tai akkuun kytketty tai käynnissä, sitä ei saa koskaan siirtää, käsitellä, tankata tai huoltaa mitään osin.
- 1.2.14. Pidä riittävä etäisyys lämmityslaitteen kuumien osien ja tulenarkojen tai lämpöherkkien materiaalien välillä.
- 1.2.15. Jos virtajohto tai akku ovat vaurioituneet, ne on vaihdettava teknisessä huollossa kaikkien riskien välttämiseksi (hävitä vaurioitunut materiaali voimassa olevien määräysten mukaan).
- 1.2.16. Varmista että lämmitin on sammunut ennen virtajohdon liittämistä ja/tai ladattavan akun asettamista, kaikkien riskien välttämiseksi.
- 1.2.17. Käytä vain ja ainoastaan erityisesti määrättyjä alkuperäisiä ladattavia akkuja. Ladattavien akkujen väärä käyttö voi aiheuttaa henkilövahinkoja tai hengenvaaran, tapaturmia, palovammoja, räjähdyksiä, sähköiskuja tai myrkytyksiä.
- 1.2.18. Säilytä sopiva turvaetäisyys irrotetun ladattavan akun ja liittimien, kolikoiden, avainten, naulojen, ruuvien ja muiden pienten metallisten esineiden välillä, koska ne voivat aiheuttaa oikosulun. Mahdollinen oikosulku ladattavan akun koskettimien välillä voi aiheuttaa henkilövahinkoja tai hengenvaaran, tapaturmia, palovammoja, räjähdyksiä, jne.
- 1.2.19. Ladattavan akun väärä käyttö voi aiheuttaa akkuneiteiden ulos valumisen. Vältä kosketusta ehdottomasti. Vahingossa tapahtuneen kosketuksen jälkeen huuhtelee huolellisesti vedellä. Mene välittömästi lääkäriin, jos neste pääsee kosketuksiin silmien kanssa. Ladattavasta akusta valunut neste voi aiheuttaa ihoärsytystä tai palovammoja.
- 1.2.20. Ladattavan akun väärä käyttö voi aiheuttaa akun höyryjen ulostulon. Vältä ehdottomasti hengittämästä näitä höyryjä. Tuuleta tila ja sisäänhengityksen tapauksessa mene lääkäriin mahdollisten vammojen varalta. Höyryt voivat ärsyttää hengitysteitä.
- 1.2.21. Vakavien riskien välttämiseksi älä yritä avata/purkaa ladattavaa akkua.
- 1.2.22. Vakavien riskien välttämiseksi suojaa ladattava akku lämmöltä (esim. jatkuvalta auringonvalolta, tulelta, vedeltä, kosteudelta, jne.).
- 1.2.23. Käytä ladattavaa akkua, joka on tarkoitettu erityisesti tälle lämmittimelle, välttääksesi vaarallisia ylikuormituksia.
- 1.2.24. Käytä vain alkuperäisiä ladattavia akkuja, joiden jännite vastaa lämmittimen teknisessä tietokyltissä annettuja tietoja. Jos käytät muita ladattavia akkuja (esimerkiksi akkukopioita, regeneroituja akkuja, kilpailevia akkuja, jne.), ne voivat aiheuttaa vammoja ja/tai räjähdysvaaran.

- ▶ 1.2.25. Lataa ladattava akku vain ja ainoastaan alkuperäisellä akkulaturilla. Jokainen akku vaatii tietyn akkulaturin tulipalo- ja räjähdysvaaran välttämiseksi.
- ▶ 1.2.26. Käytä vain tässä oppaassa määritettyjä virransyötömenetelmiä. Virransyötön menetelmää ei saa vaihtaa lämmittimen ollessa toiminnassa vakavien vaurioiden välttämiseksi.
- ▶ 1.2.27. Kun lämmityslaitetta hallitaan termostaatin kautta tai siirrytään sähköjohdon virransyötöstä akkukäyttöön, lämmityslaitte saattaa sammua ja siirtyä stand-by tilaan (näytölle tulee ilmoitus "[]"), ole erityisen varovainen, koska lämmityslaitte voi käynnistyä uudelleen automaattisesti milloin tahansa ja aiheuttaa henkilö- ja omaisuusvahinkoja.

▶▶2. PAKKAUKSEN PURKAMINEN

Katso Kuva 1

- ▶ 2.1. Ota kaikki lämmittimen pakkaamisessa ja lähetyskeskässä käytetyt pakkausmateriaalit pois ja hävitä ne voimassa olevien määräysten mukaan.
- ▶ 2.2. Ota kaikki osat pois pakkauksesta.
- ▶ 2.3. Tarkista mahdolliset kuljetuksen aikana syntyneet vauriot. Jos lämmityslaitte näyttää vahingoittuneelta, ilmoita siitä välittömästi liikkeeseen, josta se hankittiin.

▶▶3. OSIEN KUVAUS

▶ 3.1. VIRTajohto (kun olemassa):

VIRTajohto EI TOIMI AKKULATURINA.

(Kuva 5) Lämmitin voi toimia liitettynä sähköverkkoon virtajohtoa kautta. Tarkista säännöllisesti johdon kunto vakavien vaurioiden välttämiseksi. Noudata kaikkia tässä oppaassa annettuja virtajohtoa koskevia varoituksia.

▶ 3.2. AKKU (jos käytössä):

(Kuva 6)

HUOMIOT: AKUN KAPASITEETISTA RIIPPUEN (MITTA-YKSIKÖ Ah) ON VÄLTÄMÄTÖNTÄ KÄYTTÄÄ ALKUPERÄISTÄ JA TEHOLTAAN SOVELTUVAA AKKULATURIA.

Lämmitin voi toimia itsenäisesti ladattavalla alkuperäisellä litiumioniakulla, mikä ei vaadi liittämistä sähköverkkoon. Ladattava akku toimitetaan osittain ladattuna ja tästä syystä suosittelemme lataamaan akun täyteen ennen ensimmäistä käyttöä. Käytä lämmittimen virransyötössä vain alkuperäisiä akkuja. Noudata kaikkia tässä oppaassa annettuja akkuja koskevia varoituksia.

▶ 3.3. AKKULATURI (jos käytössä):

(Kuva 7) Akkulaturi on suunniteltu alkuperäisten litiumioniakkujen lataamiseen. On tärkeää noudattaa akkulaturin toimintaparametreja (katso laturiin liitetty tietokyltti). Käytä akkulaturia täysin kuivissa ja pölyltä suojatuissa paikoissa ja ainoastaan tämän lämmittimen virransyöttöön tarkoitettujen alkuperäisten akkujen lataamiseen. Akkulaturi on suunniteltu suorittamaan oikea latausjakso automaattisesti, kun siihen liitetään ladattava akku (Kuva 8). Akkulaturissa olevan valomerkin kautta on mahdollista seurata toimintaa latausvaiheen aikana (Kuva 9). Noudata kaikkia tässä oppaassa annettuja akkulaturia koskevia varoituksia.

▶▶4. POLTTOAINE

VAROITUS: Lämmitin toimii vain DIESELILLÄ tai PETROLILLA.

Käytä yksinomaan dieseliä tai kerosiinia, jotta tulipalo- tai räjähdysvaaralta vältyttäisiin. Älä koskaan käytä bensiiniä, öljyä, maaleille tarkoitettuja liuottimia tai muita erittäin tulenarkoja polttoaineita.

Käytä myrkyttömiä jäänestoaineita, jos lämpötila on hyvin alhainen.

▶▶5. TOIMINTAPERIAATTEET

Katso Kuva 2

Kunnollisen palamisen varmistamiseksi tarvittava ilma syntyy polttimen sisällä olevassa tuulettimessa. Ilmavirtaus tulee ulos polttinlinjasta ja se sekoittuu polttoaineeseen, jonka suutin ruiskuttaa korkeapaineella. Suuttimen ruiskuttama polttoaine pääsee suuttimeen sähköpumpun avulla, joka imee polttoaineen säiliöstä ja työntää sen korkealla paineella suuttimeen.

▶▶6. TOIMINTA

VAROITUS: Lue huolellisesti "TURVALLISUUTEEN LIITTYVÄT TIEDOT" ennen lämmityslaitteen käynnistämistä.

TÄRKEÄÄ: Kun lämmityslaitte ei käynnisty ensimmäistä kertaa, tarkista että säiliössä on polttoainetta, että polttoainesuodatin on puhdas ja että lämmityslaitte on sijoitettu tasaiselle ja vakaalle tasolle.

TÄRKEÄÄ: Tämä laite on infrapunälämmitin. Se lämmittää esineitä, ei ilmaa.

TÄRKEÄÄ: Vaihdaaksesi virransyöttötyyppiä akusta virtajohtoon ja päinvastoin, sammuta lämmitin noudattamalla ohjeita tarkasti vakavien vahinkojen välttämiseksi.

▶ 6.1. LÄMMITYSLAITTEEN KÄYNNISTYS:

- ▶ 6.1.1. Noudata kaikkia turvallisuuteen liittyviä ohjeita.
- ▶ 6.1.2. Tarkista, että säiliössä on polttoainetta.
- ▶ 6.1.3. Kierrä kiinni säiliön tulppa.
- ▶ 6.1.4. Kytke pistoke verkkovirtaan tai kytke ladattu akku (KS. JÄNNITE "TEKNISTEN TIETOJEN TAULUKOSTA") (Kuva 10-11).
- ▶ 6.1.5. Käännä "ON/OFF" katkaisin asentoon "ON" (I) (A Kuva 3). Lämmityslaitteen tulisi käynnistyä muutaman sekunnin sisällä. Jos lämmitin ei käynnisty, katso ongelmien ratkaisua koskeva kappale (Kappale 10).

HUOM : JOS LÄMMITYSLAITTEEN SAMPUMINEN JOHTUU POLTTOAINEEN LOPPUMISESTA, SAMMUTA LÄMMITIN, LISÄÄ POLTTOAINETTA SÄILIÖÖN JA KÄYNNISTÄ SE UUELLEEN (KS. KAPPALE 5.1.).

▶ 6.2. LÄMMITYSLAITTEEN SAMPUTUS:

HUOMIO: ÄLÄ KATKAISE JÄNNITETTÄ TAI IRROTA VIRTajoHTOA TAI AKKUA ENNEN KUIN LÄMMITIN ON TÄYSIN JÄÄHTYNYT (noin 5 min.).

- ▶ 6.2.1. Käännä "ON/OFF" katkaisin asentoon "OFF" (0) (A Kuva 3).

▶ 6.3. ULKOISEN HUONETERMOSTAATIN LIITTÄMINEN (lisävaruste):

HUOMIO: HUONETERMOSTAATTI (LISÄVARUSTE) TOIMII VAIN, KUN LÄMMITINTÄ KÄYTETÄÄN VIRTajoHTON KAUTTA.

HUOMIO: KUN LÄMMITYSLAITETTA HALLITTAAN HUONETERMOSTAATIN KAUTTA (LISÄVARUSTE) LÄMMITTIMEN SAMPUTUS JA UUELLEENKÄYNNISTYS TAPAHTUU AUTOMAATTISESTI.

Irrota lämmityslaitteeseen kiinnitetty korkki ja kytke huonetermostaatti (lisävaruste) (C Kuva 3).

▶▶7. POLTTOAINESUODATTIMEN

PUHDISTUS

Katso Kuva 4

KÄYTETTÄVÄN POLTTOAINEEN LAADUSTA RIIPPUEN SUODATTIMEN PUHDISTAMINEN VOI TULLA TARPEELLISEKSI.

- ▶ 7.1. Irrota säiliössä oleva korkki (A Kuva 4).
- ▶ 7.2. Vedä suodatin säiliöstä.
- ▶ 7.3. Ruuvaa mutteri auki (B Kuva 4).
- ▶ 7.4. Vedä suodatin ulos (C Kuva 4).
- ▶ 7.5. Puhdista suodatin puhtaalla polttoaineella, varoen vahingoittamasta sitä.
- ▶ 7.6. Asenna suodatin takaisin säiliöön.

▶▶ 8. SÄILYTYS JA KULJETUS LÄMMITYSLAITTEEN SÄILYTYKSEN JAITAI KULJETUKSEN KANNALTA ON SUOSITELTAVAA NOUDATTAA SEURAAVAA MENETELMÄÄ:

- ▶ 8.1. Tyhjennä säiliö polttoaineesta.
- ▶ 8.2. Jos havaitset jäänteitä, kaada puhdasta polttoainetta säiliöön ja tyhjennä uudestaan.
- ▶ 8.3. Sulje säiliön korkki ja hävitä polttoaine oikealla tavalla voimassa olevia lakeja noudattamalla.
- ▶ 8.4. Lämmityslaitteen parasta säilytystä varten on suositeltavaa pitää sitä vaaka-asennossa, jotta polttoaineen ulostulolta vältyttäisiin ja säilyttää sitä kuivassa paikassa mahdollisten ulkoisten vahinkojen saavuttamattomissa.

fi

▶▶ 9. NÄYTÖN VIRHEILMOITUKSET Katso B Kuva 3

VIRHE	SYY	RATKAISU
TOIMINTAVIRHE		
F0	1. "ON/OFF"-pääkytkin oli asetettu "ON"-asentoon (I) generaattoria sähköverkkoon kytkettäessä	1. Generaattorin sähköverkosta katkaisemisen jälkeen pääkytkin on asetettava "OFF"-asentoon (O), pistoke kytkettävä uudelleen sähköverkkoon ja asetettava pääkytkin "ON"-asentoon (I)
VALOKENNON VIRHE		
F1	1. Polttoaine puuttuu 2. Saastutettu polttoaine 3. Saastunut tai vaurioitunut valokenno 4. Saastunut polttoainesuodatin 5. Sytytysvirhe	1. Aseta pääkytkin "OFF"-asentoon (O) ja täytä tankki polttoaineella 2. Aseta pääkytkin "OFF"-asentoon (O), tyhjennä ja täytä tankki uudelleen polttoaineella. Puhdista suodatin puhtaalla polttoaineella, kuitenkin välttämällä sen vaurioittamista (KATSO KOHTA 6) 3. Ota yhteyttä huoltokeskukseen 4. KATSO KOHTA 6 5. Ota yhteyttä huoltokeskukseen
LÄMPÖTILA-ANTURIN VIRHE		
F2	1. Johto katkennut 2. Vaurioitunut anturi	1. Ota yhteyttä huoltokeskukseen 2. Ota yhteyttä huoltokeskukseen
LÄMMÖNSÄÄTIMEN VIRHE		
F3	1. Generaattorin sisäinen ylikuumentuminen 2. Kaatumista estävät anturit	1. Kytke generaattori pois päältä kunnes se jäähtyy kokonaan 2. Aseta uuni tasaiselle ja vakaalle tasolle
JÄNNITE EI SOPIVA		
F4	1. Jännite ei sopiva	1. Tarkista järjestelmäsi oikea jännite
EI KÄYNNISTY KOLMEN YRITYKSEN JÄLKEEN		
FF	1. Polttoaine puuttuu 2. Polttoainesuodatin likainen 3. Valokenno likainen tai viallinen 4. Suutin likainen tai viallinen 5. Kallistuksenestoanturin katkaisu	1. Ota yhteyttä huoltokeskukseen 2. Ota yhteyttä huoltokeskukseen 3. Ota yhteyttä huoltokeskukseen 4. Ota yhteyttä huoltokeskukseen 5. Ota yhteyttä huoltokeskukseen
AKKU TYHJÄ		
PF	1. Akku tyhjä	1. Lataa akku
LÄMMITYSLAITE STAND-BY TILASSA		
[]	1. Termostaatti kytketty 2. Siirtyminen johdon virransyötöstä akkukäyttöön	1. Termostaatin lämpötilaksi asetettu ympäristön lämpötilaa matalampi arvo 2. Automaattinen uudelleenkäynnistys

►► 10. ENNAKKOHUOLLON AIKATAULU

HUOM: ENNEN MINKÄ TAHANSA HUOLTO- TAI KORJAUSTOIMENPITEIDEN ALOITTAMISTA IRROTA VIRTAJOHTO SÄHKÖVERKOSTA JA VARMISTA, ETTÄ GENERAATTORI ON KYLMÄ.

JOS LÄMMITINTÄ KÄYTETÄÄN ERITYISEN PÖLYISISSÄ YMPÄRISTÖISSÄ, ON TARPEEN SUORITTA A HUOLTO JA PUHDISTUS.

OSA	HUOLTOVÄLI	HUOLTO-OHJE
Polttoainetankki	Puhdista 150-200 käyttötunnin välein tai tarpeen mukaan	Tyhjennä ja huuhtele tankki puhtaalla polttoaineella
Suutin	Puhdista tai vaihda yhden kerran käyttökauden aikana tai tarpeen mukaan	Ota yhteyttä huoltokeskukseen
Valokenno	Puhdista yhden kerran käyttökauden aikana tai tarpeen mukaan	Ota yhteyttä huoltokeskukseen
Polttoainesuodatin	Puhdista tai vaihda kaksi kertaa käyttökauden aikana tai tarpeen mukaan	Puhdista polttoainesuodatin puhtaalla polttoaineella
Sytytin	Puhdista tai vaihda 1.000 käyttötunnin välein tai tarpeen mukaan	Ota yhteyttä huoltokeskukseen
Roottorin siivet	Puhdista tarpeen mukaan	Ota yhteyttä huoltokeskukseen

fi

►► 11. VIAN ETSINTÄ

VIKA	MAHDOLLINEN SYY	RATKAISU
Generaattori ei käynnisty	<ol style="list-style-type: none"> 1. Generaattori jumiutunut 2. Pääkytkin on "OFF"-asennossa (0) 3. Jännitteen puute 4. Virtajohto irrotettu 5. Ohjauskortti jumiutunut 6. Huonelämpötilan lämmönsäätimen väärä asetus 7. Lämpötila-anturin vaikutus 8. Sulake vaurioitunut 	<ol style="list-style-type: none"> 1. Sammuta ja kytke generaattori päälle uudelleen 2. Aseta pääkytkin "ON"-asentoon (I) 3A. Kytke virtajohto sähköverkon pistorasiaan 3B. Tarkista sähköasennusta 3C. Ota yhteyttä huoltokeskukseen 3D. Akku tyhjä 4. Ota yhteyttä huoltokeskukseen 5A. Sammuta ja kytke generaattori päälle uudelleen 5B. Tunnista näytön ilmoitusvirhe 5C. Ota yhteyttä huoltokeskukseen 6. Säätöle huonelämpötilan lämmönsäädintä asettamalla se ympäristön lämpötilaa korkeampaan arvoon 7A. Odota vähintään kymmenen minuuttia ja yritä sytyttää laitetta uudelleen 7B. Ota yhteyttä huoltokeskukseen 8. Ota yhteyttä huoltokeskukseen
Moottori/pumppu käynnistyy, mutta liekkiä ei syty	<ol style="list-style-type: none"> 1. Polttoaine puuttuu 2. Sytytin saastunut 3. Polttoainesuodatin saastunut 4. Suutin saastunut 5. Valokenno on saastunut, vaurioitunut tai se on asennettu väärin 6. Epäpuhtauksia tankissa 7. Elektrodit kuluneet tai asetettu väärin suhteessa toisiinsa 	<ol style="list-style-type: none"> 1. Sammuta generaattori, täytä tankki polttoaineella ja kytke generaattori uudelleen päälle 2. Ota yhteyttä huoltokeskukseen 3. Puhdista suodatin puhtaalla polttoaineella 4. Ota yhteyttä huoltokeskukseen 5. Ota yhteyttä huoltokeskukseen 6. Tyhjennä ja täytä tankki uudelleen puhtaalla polttoaineella 7. Ota yhteyttä huoltokeskukseen
Roottori on jumissa tai se pyörii liian hitaasti	<ol style="list-style-type: none"> 1. Moottori vaurioitunut 	<ol style="list-style-type: none"> 1. Ota yhteyttä huoltokeskukseen

VIKTIG: DENNE INSTRUKSEN SKAL LESES IGJENNOM FØR MAN FORETAR MONTASJE, IVERKSETTELSE ELLER VEDLIKEHOLD AV GENERATOREN. URIKTIG BRUK AV GENERATOREN KAN FØRE TIL SERIØSE SKADER. DENNE INSTRUKSEN SKAL OPPBEVARES SLIKT AT DEN KAN KONSULTERES SENERE.

►► 1. SIKKERHETSINFORMASJON (ADVARSLER)



VIKTIG: Denne luftvarmeren er designet for mobile og midlertidige profesjonelle applikasjoner. Den er ikke beregnet for husholdningsbruk eller oppvarming av personer.



VIKTIG: Apparatet er ikke egnet for personer (inkludert barn) med reduserte fysiske, sensoriske eller mentale evner, eller manglende erfaring og kunnskap, med mindre de kontrolleres av en person som er ansvarlig for deres sikkerhet. Barn må kontrolleres, slik at de ikke leker med apparatet.



FARE: Kullosforgiftning kan være dødelig.

De første symptomene på asfyksi fra karbonmonoksid ligner på influensasymptomer, med hodepine, svimmelhet, og/eller kvalme. De nevnte symptomene kan være forårsaket av en funksjonsfeil på varmeapparatet. DER-SOM SLIKE SYMPTOMER SKULLE FOREKOMME, GÅ UMIDDELBART UTENDØRS og lever varmeapparatet til reparasjon ved et teknisk assistansesenter.

1.1. PÅFYLLING:

- 1.1.1. Personellet som skal utføre påfyllingen, må være kvalifisert og ha full oversikt over produsentens instruksjoner og det gjeldende regelverket om sikker fylling av varmeapparater.
- 1.1.2. Anvend kun den type drivstoff som er eksplisitt angitt på varmeapparatets typeskilt.
- 1.1.3. Før fylling av drivstoff, steng av varmeapparatet og vent på at det avkjøles.
- 1.1.4. Drivstofftankene bør oppbevares i en separat bygning.
- 1.1.5. Alle drivstofftanker må være på en minimums sikkerhetsavstand fra varmeapparatet, i henhold til gjeldende standarder.
- 1.1.6. Drivstoffet skal oppbevares i rom der gulvet ikke tillater inntrengning og drypp av drivstoffet på underliggende flammer, som kan antenne drivstoffet.
- 1.1.7. Oppbevaring av drivstoffet skal gjøres i henhold til gjeldende regelverk.

1.2. SIKKERHET:

- 1.2.1. Bruk aldri varmeapparatet i rom med bensin, løsemidler for maling eller andre lettantennelige gasser.
- 1.2.2. Ved bruk av varmeapparatet må du følge alle lokale forskrifter og gjeldende regelverk.
- 1.2.3. Varmeapparat brukt i nærheten av gardiner eller andre draperier, skal holdes på sikkerhetsavstand fra disse. Det er anbefalt å bruke brannsikre draperier.
- 1.2.4. Skal brukes på godt ventilerte områder. Innrett et egnet område i henhold til gjeldende forskrifter, slik at fisk luft kan komme utenfra.
- 1.2.5. Til varmeapparatet må det kun brukes strøm med spenning og frekvens som angitt på merkeskiltet.
- 1.2.6. Bruk kun skjøteledning med tre ledninger og som er jordat.
- 1.2.7. Minimum anbefalt sikkerhetsavstand mellom varmeapparatet og brannfarlige stoffer er: fremre utgang = 2,5 m (8 ft); side, topp og på baksiden = 1,5 m (5 ft).

- 1.2.8. Sett varmeapparatet på en jevn og stabil overflate når den er varm eller i bruk.
- 1.2.9. Hold dyr på sikker avstand fra varmeapparatet.
- 1.2.10. Fjern strømforsyningen eller batteriet fra varmeapparatet når det ikke er i bruk.
- 1.2.11. Når varmeapparatet kontrolleres av en termostat, kan det slå seg på til enhver tid.
- 1.2.12. Bruk aldri varmeapparatet i rom man ofte oppholder seg i, heller ikke soverom.
- 1.2.13. Når varmeapparatet er varmt, koblet til strømmettet, forsynt av batteriet eller er i funksjon, må det aldri flyttes, håndteres, påfylles brennstoff eller utføres vedlikehold på.
- 1.2.14. Oppretthold en passende avstand fra brennbart eller varmelabil materialer (inkludert strømkabelen) fra de varme delene av apparatet.
- 1.2.15. Hvis strømkabelen eller batteriet er skadet, skal de skiftes ut av teknisk servicesenter, slik at risiko unngås (kasser det skadede materialet i henhold til gjeldende forskrifter).
- 1.2.16. Påse at varmeapparatet er slått av før du kobler apparatet til strømkabelen og/eller setter i det oppladbare batteriet for å unngå enhver risiko.
- 1.2.17. Bruk kun originale oppladbare batterier. Feil bruk av oppladbare batterier kan forårsake skader på personer, brannskår, eksplosjoner, elektrisk støt, forgiftning eller livstruende skade.
- 1.2.18. Pass på at det er en sikker avstand mellom fra koblet oppladbart batteriet og binders, mynter, nøkler, spiker, skruer og andre små metallgjenstander som kan føre til en eventuell kortslutning. En eventuell kortslutning mellom kontaktene på det oppladbare batteriet kan medføre skader på personer, brannskår, eksplosjoner livstruende skade osv..
- 1.2.19. Feil bruk av det oppladbare batteriet kan føre til at væske renner ut fra batteriet. Unngå kontakt med denne væsken. Ved tilfeldig kontakt skyll godt med vann. Kontakt umiddelbart en lege dersom væsken kommer i kontakt med øynene. Væsken som renner ut fra det oppladbare batteriet kan forårsake irritasjon eller brannskår.
- 1.2.20. Feil bruk av det oppladbare batteriet kan føre til at damp kommer ut av batteriet. Unngå å inhalere denne dampen. Slipp inn frisk luft ved tilfeldig inhalering og gå til lege hvis du føler deg dårlig. Dampen kan irritere luftveiene.
- 1.2.21. For å unngå alvorlig fare må du ikke prøve å åpne/demontere det oppladbare batteriet.
- 1.2.22. For å unngå alvorlig fare må du beskytte det oppladbare batteriet mot varme (for eksempel kontinuerlig solstråling, brann, vann, fuktighet osv.).
- 1.2.23. Bruk det oppladbare batteriet kun sammen med dette varmeapparatet for å unngå farlige overbelastninger.
- 1.2.24. Bruk kun originale oppladbare batterier med den spenning som er angitt på typeskiltet på varmeapparatet. Ved bruk av andre oppladbare batterier (f.eks. uoriginale batterier, regenererte batterier, konkurrerende batterier osv.) er det fare for skader og/eller eksplosjoner.

- ▶ 1.2.25. Lad det oppladbare batteriet kun med original batterilader. Hvert batteri krever original batterilader for å unngå fare for brann og eksplosjon.
- ▶ 1.2.26. Bruk kun strømforsyningsmodus fastsatt i denne veiledningen. Det er forbudt å endre forsyningsmodus mens varmeapparatet er i drift for å unngå alvorlige skader.
- ▶ 1.2.27. Når varmeapparatet håndteres av termostaten eller bytter fra strømforsyning med kabel til batteriforsyning, kan varmeapparatet slå seg av og gå i standby-modus (displayet vil vise signalet "[]"). Vær svært forsiktig ettersom varmeapparatet kan slå seg på automatisk når som helst og forårsake alvorlige skader på gjenstander og personer.

▶▶ 2. UTPAKKING

Se Fig. 1

- ▶ 2.1. Fjern all emballasje som brukes til å pakke og sende varmeapparatet og kast dette iht. gjeldende forskrifter.
- ▶ 2.2. Ta alle artiklene ut av emballasjen.
- ▶ 2.3. Kontroller eventuelle skader som er påført under transporten. Dersom varmeapparatet er skadet, må dette umiddelbart meldes fra til forhandleren der det ble kjøpt.

▶▶ 3. BESKRIVELSE AV ARTIKLER

▶ 3.1. STRØMKABEL (der denne finnes):

STRØMKABELEN VIRKER IKKE SOM BATTERILADER. (Fig. 5) Varmeapparatet kan fungere tilkoblet strømmnett- et via en strømkabel. Kontroller kabelens tilstand regelmessig for å unngå alvorlige skader. Overhold alle advarsler beskrevet i denne bruksanvisningen som gjelder strømkabelen.

▶ 3.2. BATTERI (hvor dette finnes):

(Fig. 6)

MERKNADER: AVHENGIG AV BATTERIKAPASITETEN (MÅLT I Ah), ER DET NØDVENDIG Å BRUKE EN ORIGINAL BATTERILADER OG MED EGNET EFFEKT.

Varmeapparatet kan fungere selvstendig med et originalt oppladbart Li-on batteri uten å være tilkoblet strømmnett- et. Det oppladbare batteriet leveres delvis oppladet og vi anbefaler derfor å utføre en komplett ladesyklus før det tas i bruk. Bruk kun originale batterier til varmeapparatet. Overhold alle advarsler beskrevet i denne bruksanvisningen som gjelder batteriet.

▶ 3.3. BATTERILADER (hvis denne finnes):

(Fig. 7) Batteriladeren er konstruert for å lade opp originale Li-ion batterier. Det må tas hensyn til batteriladerens driftsparameter (se typeskilt festet på batteriladeren). Bruk batteriladeren kun på steder hvor det er helt tørt og beskyttet mot støv og kun for å lade opp de oppladbare batteriene som brukes for å strømforsyne dette varmeapparatet. Batteriladeren er konstruert for å styre automatisk korrekt ladesyklus når det oppladbare batteriet tilkobles (Fig. 8). Et varsellys på batteriladeren gir en detaljert diagnose i fasen for opplading (Fig. 9). Overhold alle advarsler beskrevet i denne bruksanvisningen som gjelder batteriladeren.

▶▶ 4. DRIVSTOFF

ADVARSEL: Varmeapparatet fungerer bare med DIESEL eller PARAFIN.

Anvend kun diesel eller parafin, for å unngå brann- og eksplosjonsfare. Bruk aldri bensin, nafta, malingsfortynner, alkohol eller andre brannfarlige brennstoff. Bruk giftfrie frosthindrende tilsetningsstoff ved svært lave temperaturer.

▶▶ 5. FUNKSJONSPRINSIPP

Se Fig. 2

Luften, som er nødvendig for å sikre en korrekt forbrenning, produseres ved at en vifte inni brenneren roterer. Luftstrømningen kommer ut av brennerens rør og blandes med brennstoffet som forstøves av en dyse ved høyt trykk. Brennstoff som forstøves av dysen leveres av en elektrisk pumpe som suger inn brennstoffet fra tanken og sender det med høyt trykk til dysen.

▶▶ 6. DRIFT

ADVARSEL: Les nøye "SIKKERHETSINFORMASJON", før varmeapparatet slås på.

VIKTIG: Etter første manglende tenning av varmeapparatet, kontroller at det finnes drivstoff i tanken, kontroller at drivstoffilteret er rent og kontroller at varmeapparatet er plassert på et jevnt og stabilt underlag.

VIKTIG: Denne enheten er et varmeapparat med infrarøde stråler. Den varmer gjenstander, ikke luft.

VIKTIG: For å bytte strømforsyningstype fra batteri til kabel og omvendt, slå av varmeapparatet ved å følge hele prosedyren nøye slik at skader unngås.

▶ 6.1. SLÅ PÅ VARMEAPPARATET:

- ▶ 6.1.1. Følg alle sikkerhetsinstruksjonene.
- ▶ 6.1.2. Sjekk at det finnes drivstoff i tanken.
- ▶ 6.1.3. Lukk tankens plugg.
- ▶ 6.1.4. Koble støpselet til strømmettet eller ladet batteri (SE SPENNING I "TABELL OVER TEKNISKE DATA") (Fig. 10-11).
- ▶ 6.1.5. Sett bryteren "ON/OFF" i posisjon "ON" (I) (A Fig. 3). Varmeapparatet skal slås på innen få sekunder. Hvis varmeapparatet ikke starter, se avsnittet for å identifisere problemet (Avsn. 10).

MERK: DERSOM VARMEAPPARATET SLÅS AV GRUNNET MANGEL PÅ DRIVSTOFF, SLÅ AV VARMEAPPARATET, FYLL PÅ TANKEN OG SLÅ PÅ VARMEAPPARATET IGJEN (SE AVSN. 5.1.).

▶ 6.2. SLÅ AV VARMEAPPARATET:

VÆR OPPMERKSOM: IKKE FJERN SPENNINGEN ELLER KOBLE FRA STRØMKABELEN ELLER FJERN BATTERIET FØR VARMEAPPARATET ER HELT AVKJØLT (ca. 5 min.).

- ▶ 6.2.1. Sett bryteren "ON/OFF" i posisjon "OFF" (0) (A Fig. 3).

► 6.3. TILKOBLING AV ROMTERMOSTAT (tilvalg):

VÆR OPPMERKSOM: ROMTERMOSTATEN (TILVALG) FUNGERER BARE NÅR VARMEAPPARATET FORSYNES AV STRØMKABELEN.

VÆR OPPMERKSOM: NÅR VARMEAPPARATET STYRES AV ROMTERMOSTATEN (TILVALG), BLIR VARMEAPPARATET SLÅTT AV OG PÅ AUTOMATISK.

Fjern pluggen festet til varmeapparatet og koble til romtermostaten (tilvalg) (C Fig. 3).

►► 7. RENGJØRING AV DRIVSTOFFILTER

Se Fig. 4

AVHENGIG AV KVALITETEN PÅ DET ANVENDTE DRIVSTOFFET, KAN RENGJØRING AV FILTERET VÆRE NØDVENDIG.

► 7.1. Fjern pluggen plassert på tanken (A Fig. 4).

► 7.2. Fjern filteret fra tanken.

► 7.3. Skru løs mutteren (B Fig. 4).

► 7.4. Ta ut filteret (C Fig. 4).

► 7.5. Rengjør filteret med rent drivstoff. Vær oppmerksom, slik at det ikke skades.

► 7.6. Fest filteret i tanken igjen.

►► 8. OPPBEVARING OG TRANSPORT FOR Å OPPBEVARE OG/ELLER TRANSPORTERE VARMEAPPARATET BEST MULIG, ANBEFALES DET Å UTFØRE FØLGENDE PROSEDYRE:

► 8.1. Tøm drivstoff fra tanken.

► 8.2. Dersom man finner rester, hell rent drivstoff i tanken og tøm en gang til.

► 8.3. Lukk pluggen på tanken og kasser drivstoffet på en egnet måte og i henhold til gjeldende forskrifter.

► 8.4. For å oppbevare varmeapparatet på best mulig måte, er det anbefalt å holde den i nivellert stilling, for å unngå lekkasje av drivstoff og oppbevar det på et tørt sted og beskyttet mot ekstern skade.

►► 9. FEILVISNING

Se B Fig. 3

FEIL	ÅRSAK	LØSNING
OPERASJONSFEIL		
F0	1. "PÅ/AV"-bryteren er i "PÅ"-stilling (I) når generatoren er koblet til elektrisk strøm	1. Etter frakobling generatoren sett bryteren i "AV"-stilling (0), koble støpselet igjen til stikkontakten og sett bryteren i "PÅ"-stilling (I)
FOTOCELLENS FEIL		
F1	1. Manglende brennstoff 2. Forurenset brennstoff 3. Forurenset eller skadd fotocelle 4. Forurenset brennstofffilter 5. Feil av tenningsinnretning	1. Sett bryteren i "AV"-stilling (0) og fyll tanken 2. Sett bryteren i "AV"-stilling (0), tømme og fyll tanken igjen. Rens filteret med ren brennstoff, ved å passe på å ikke skade den (SE PUNKTET 6) 3. Kontakte senteret for teknisk støtte 4. SE PUNKTET 6 5. Kontakte senteret for teknisk støtte
TEMPERATURSENSORENS FEIL		
F2	1. Avbrutt kabel 2. Skadd sensor	1. Kontakte senteret for teknisk støtte 2. Kontakte senteret for teknisk støtte
TERMOSTATENS FEIL		
F3	1. Indre overvarming 2. Vippesensor	1. Slå av generatoren og vent inntil den kjøler seg ned 2. Plasser ovnen på en flat og stabil overflate
FEIL SPENNING		
F4	1. Feil spenning	1. Sjekk at spenningen er riktig i forhold til anlegget
MANGLENDE TENNING MED TRE FORSØK		
FF	1. Mangel på drivstoff 2. Skittent drivstoffilter 3. Skitten eller defekt fotocelle 4. Skitten eller defekt dyse 5. Utløsning av anti-vippesensor	1. Kontakte senteret for teknisk støtte 2. Kontakte senteret for teknisk støtte 3. Kontakte senteret for teknisk støtte 4. Kontakte senteret for teknisk støtte 5. Kontakte senteret for teknisk støtte
UTLADET BATTERI		
PF	1. Utladet batteri	1. Lad opp batteriet
VARMEAPPARAT I STAND-BY		
[]	1. Tilkoblet termostat 2. Bytte fra strømforsyning med kabel til batteri	1. Temperatur på termostat innstilt under romtemperatur 2. Automatisk omstart

►► 10. TIDSPLAN FOR VEDLIKEHOLD

VARSEL: FØR MAN BEGYNNER HVILKE SOM HELST VEDLIKEHOLDSARBEIDER ELLER REPARASJONER, MÅ MAN KOBLE TILFØRSELSKABELEN FRA ELEKTRISITET OG FORSIKRE SEG AT GENERATOREN ER NEDKJØLT.

HVIS LUFTVARMEREN BRUKES I SPESIELT STØVETE OMGIVELSER, ER DET NØDVENDIG MED HYPPIGERE VEDLIKEHOLD OG RENGJØRING.

ELEMENT	HYPPIGHET AV VEDLIKEHOLD	VEDLIKEHOLDSPROSEDYRE
Tank	Rens etter 150-200 arbeidstimer eller etter behov	Tømme tanken og spyl den med ren brennstoff
Dyse	Rens eller erstatt én gang i sesongen eller etter behov	Kontakte senteret for teknisk støtte
Fotecelle	Rens én gang i sesonger eller etter behov	Kontakte senteret for teknisk støtte
Brennstoffsfilter	Rens eller erstatt én gang eller to ganger i sesongen eller etter behov	Rens filteret ved å bruke ren brennstoff
Tenningsinnretning	Rens eller erstatt etter 1.000 arbeidstimer eller etter behov	Kontakte senteret for teknisk støtte
Sentrifugens skovler	Rens etter behov	Kontakte senteret for teknisk støtte

no

►► 11. PROBLEMIDENTIFISERING

PROBLEM	MULIG ÅRSAK	MULIG LØSNING
Generator vill ikke starte	<ol style="list-style-type: none">1. Generatoren er blokkert2. Bryteren er i "AV"-stilling (0)3. Manglende spenning 4. Frakoblet tilførselskabel5. Blokkert styringskart 6. Feil stilling av termostat7. Intervensjon fra temperatursensoren 8. Skadd sikring	<ol style="list-style-type: none">1. Slå generatoren av og på2. Sett bryteren i "PÅ"-stilling (I)3A. Koble tilførselskabelen til stikkkontakten på en riktig måte3B. Sjekk nettinstallasjon3C. Kontakte senteret for teknisk støtte3D. Utladet batteri4. Kontakte senteret for teknisk støtte5A. Slå generatoren av og på5B. Identifiser feil på visningen5C. Kontakte senteret for teknisk støtte6. Juster termostaten ved å sette den til høyere temperatur enn arbeidsmiljø7A. Vent minst ti minutter og prøv å slå på generatoren7B. Kontakte senteret for teknisk støtte8. Kontakte senteret for teknisk støtte
Motoren/pumpen slår seg på men flammen oppstår ikke	<ol style="list-style-type: none">1. Manglende brennstoff2. Forurenset tenningsinnretning3. Forurenset brennstoffsfilter4. Forurenset dyse5. Fotocellene er forurenset, skadd eller feilaktig installert6. Fremmede substanser i tanken7. Slitasje av elektroder eller feil avstand mellom dem	<ol style="list-style-type: none">1. Slå av generatoren, fyll tanken med brennstoff og slå på generatoren igjen2. Kontakte senteret for teknisk støtte3. Rens filteret ved bruk av ren brennstoff4. Kontakte senteret for teknisk støtte5. Kontakte senteret for teknisk støtte 6. Tømme tanken og fyll den igjen med brennstoff7. Kontakte senteret for teknisk støtte
Sentrifugen er blokkert eller roterer for langsomt	<ol style="list-style-type: none">1. Skadd motor	<ol style="list-style-type: none">1. Kontakte senteret for teknisk støtte

OBSERVERA: LÄS NEDANSTÅENDE BRUKSANVISNING INNAN MONTERING, IDRIFTTAGNING ELLER UNDERHÅLL AV GENERATOR. FELAKTIG ANVÄNDNING KAN LEDA TILL ALLVARLIGA SKADOR. NEDANSTÅENDE BRUKSANVISNING SKA BEHÅLLAS FÖR FRAMTIDA BRUK.

►► 1. INFORMATION OM SÄKERHETEN (VARNINGSFÖRESKRIFTER)



VIKTIGT: Denna luftvärmare har utformats för mobila och temporära yrkesmässiga applikationer. Den har inte konstruerats för hushållsbruk eller för personlig termisk komfort.



VIKTIGT: Denna apparat lämpar sig inte för att användas av personer (inklusive barn) med begränsad fysisk, sensorisk och mental förmåga eller av oerfarna personer. Ett undantag är om personerna i fråga övervakas av en vuxen person som då är ansvarig för deras säkerhet. Barn måste övervakas så att de inte leker med apparaten.



FARA: Kolmonoxidförgiftning kan vara dödlig.

De första symtomen på syrebrist från kolmonoxid påminner om symtomen för influensa med huvudvärk, yrsel och/eller illamående. Dessa symtom kan ha uppstått av att värmaren fungerar på ett defekt sätt. OM DESSA SYMTOM UPPSTÅR SKA NI OMEDELBART BEGE ER UTOMHUS och få värmaren reparerad av teknisk support.

1.1. TANKNING:

- 1.1.1. Den personal som ansvarar för tankningen måste vara kvalificerad och vara fullt förtrogen med tillverkarens instruktioner och med gällande lagsättning om säker tankning av värmarna.
- 1.1.2. Använd endast den bränsletyp som uttryckligen står angiven på värmarens märkskylt.
- 1.1.3. Innan du utför tankningen ska du slå av värmaren och vänta på att den svalnar.
- 1.1.4. Bränsletankarna måste finnas i en separat anläggning.
- 1.1.5. Alla bränsletankar måste befinna sig på ett minst säkerhetsavstånd från värmaren, i enlighet med gällande föreskrifter.
- 1.1.6. Bränslet ska förvaras i lokaler vars golv inte tillåter penetration eller dropp av detsamma på underliggande lågor, som kan orsaka antändning.
- 1.1.7. Bränsleförvaringen måste utföras i enlighet med gällande föreskrifter.

1.2. SÄKERHET:

- 1.2.1. Värmaren får inte användas i lokaler där det finns bensiin, lacklösningsmedel eller andra brandfarliga ångor.
- 1.2.2. Under användningen av värmaren ska man följa alla lokala förordningar och gällande föreskrifter.
- 1.2.3. De värmare som används i närheten av presenninngar, tält och andra liknande täckningsmaterial ska placeras på ett säkert avstånd från dessa. Vi rekommenderar även att man använder brandsäkra täckningsmaterial.
- 1.2.4. Använd endast i välventilerade områden. Ordna med en lämplig öppning i enlighet med gällande föreskrifter i syfte att föra in frisk luft utifrån.
- 1.2.5. Mata endast värmaren med el med den spänning och frekvens som anges på värmarens märkskylt.
- 1.2.6. Använd enbart tretråds-förlängningar som är korrekt jordade.

- 1.2.7. Rekommenderade mista säkerhetsavstånd mellan värmaren och de brännbara ämnena: främre utgång = 2,5 m (8 fot), sida, topp och baksida = 1,5 m (5 fot).
- 1.2.8. Placera den varma, eller fungerande, värmaren på en stabil och plan yta för att undvika brandrisk.
- 1.2.9. Håll djur på ett säkert avstånd från värmaren.
- 1.2.10. Koppla bort tillförseln eller batteriet från värmaren när den inte används.
- 1.2.11. När värmaren styrs av en termostat kan den slås på när som helst.
- 1.2.12. Använd aldrig värmaren i ofta bebodda rum eller i sovrum.
- 1.2.13. När värmaren är varm, ansluten till elnätet eller i drift med batteri ska den aldrig flyttas, hanteras, tankas eller utsättas för underhåll.
- 1.2.14. Bibehåll ett säkert avstånd mellan brandfarliga eller värmelabila (inklusive matarkabeln) material och värmarens varma delar.
- 1.2.15. Om matarkabeln eller batteriet skulle vara skadade måste de ersättas av det tekniska servicecentrumet för att förhindra eventuella risker (bortskaffa det skadade materialet i enlighet med gällande föreskrifter).
- 1.2.16. Försäkra er om att värmaren är av innan ni kopplar in matarkabeln och/eller det återladdningsbara batteriet. På så sätt förebyggs samtliga risker.
- 1.2.17. Använd enbart de originella återladdningsbara batterier som uttryckligen har förutsetts. En användning av oförutsetta batterier kan föranleda till personlivsfara, eller personskada, samt till brännskada, explosion, elchock eller förgiftning.
- 1.2.18. Ha ett lämpligt säkerhetsavstånd mellan det urkopplade återladdningsbara batteriet och objekt som hårspännen, mynt, nycklar, spikar, skruvar och övriga små föremål i metall som skulle kunna orsaka en eventuell kortslutning. En eventuell kortslutning mellan det återladdningsbara batteriets kontaktytor kan föranleda till personskada eller personlivsfara, samt brännskada, explosion, elchock eller förgiftning.
- 1.2.19. En felaktig användning av det återladdningsbara batteriet kan orsaka vätskeläckor från själva batteriet. Undvik absolut all kontakt vid läckage. Vid en oavsiktlig kontakt ska ni skölja noga med vatten. Sök upp en läkare direkt om vätskan råkar komma i kontakt med ögonen. Vätskan som hållts ut från det återladdningsbara batteriet kan orsaka hudirritationer eller brännsår.
- 1.2.20. En felaktig användning av det återladdningsbara batteriet kan orsaka ångläckor från själva batteriet. Undvik absolut att andas in dessa ångor. Vid en oavsiktlig inandning ska ni släppa in frisk luft och låta en läkare undersöka er om ni upplever några besvär. Ångorna kan irritera luftvägarna.
- 1.2.21. För att undvika allvarliga faror ska ni inte försöka öppna/demontera det återladdningsbara batteriet.
- 1.2.22. För att undvika allvarliga faror ska ni skydda det återladdningsbara batteriet från värmekällor (till exempel från en kontinuerlig solbestrålning, eldlågor, vatten, fukt, o.s.v.).
- 1.2.23. Använd det särskilt avsedda återladdningsbara batteriet enbart tillsammans med denna värmare för att undvika farliga överladdningar.
- 1.2.24. Använd enbart originala återladdningsbara batterier som har det spänningsvärde som anges på märk-

skylten med värmarens tekniska data. Vid en användning av andra återladdningsbara batterier (till exempel batterikopior, regenererade batterier, batterier från konkurrenterna, o.s.v.) föreligger det en fara för personskada och/eller explosion.

- ▶ 1.2.25. Ni ska enbart ladda det återladdningsbara batteriet med hjälp av original batteriladdare. Varje batteri behöver den särskilt avsedda batteriladdaren för att brandfara och explosionsfara ska kunna undvikas.
- ▶ 1.2.26. Använd er bara av de driftlägen för elförsörjning som förutses av denna manual. I syfte att förebygga allvarliga skador är det förbjudet att ändra värmarens driftläge för elförsörjning under det att värmaren är i funktion.
- ▶ 1.2.27. När värmaren hanteras av termostaten eller man växlar från elektrisk strömförsörjning med kabel till batteridrift kan värmaren slås av och gå in i standbyläge (på displayen visas meddelandet "[]"). Var ytterst uppmärksam eftersom värmaren skulle kunna slås på automatiskt när som helst och orsaka allvarliga skador på föremål och personer.

▶▶ 2. UPPACKNING

Se Fig. 1

- ▶ 2.1. Ta bort allt förpackningsmaterial som använts för att paketera och transportera värmaren och bortskaffa enligt gällande föreskrifter.
- ▶ 2.2. Plocka ur alla artiklar från förpackningen.
- ▶ 2.3. Kontrollera eventuella skador som tillförts under transporten. Om värmaren verkar skadad ska ni omedelbart informera den återförsäljare från vilken den har köpts.

▶▶ 3. ARTIKELBESKRIVNING

▶ 3.1. MATARKABEL (om befintlig):

MATARKABELN FYLLER INTE FUNKTIONEN SOM BATTERILADDARE.

(Fig. 5) Värmaren kan fungera ansluten till elnätet via matarkabeln. I syfte att förebygga allvarliga skador ska ni se över kabelns skick regelbundet. Iaktta samtliga varningstexter som gäller för matarkabeln och som återges i vederbörande manual.

▶ 3.2. BATTERI (om befintligt):

(Fig. 6)

ANMÄRKNINGAR: BEROENDE PÅ BATTERIKAPACITET (MÄTT I Ah) MÅSTE DU ANVÄNDA EN ORIGINALBATTERILADDARE MED LÄMPLIG EFFEKT.

Värmaren kan fungera autonomt, utan att vara ansluten till elnätet, med hjälp av ett återladdningsbart originalt litium-jonbatteri. Det återladdningsbara batteriet levereras delvis laddat. Därför rekommenderas en fullständig laddningscykel innan ni använder batteriet för första gången. Använd bara originala batterier till värmarens energiförsörjning. Iaktta samtliga varningstexter som gäller för batteriet och som återges i vederbörande manual.

▶ 3.3. BATTERILADDARE (om befintlig):

(Fig. 7) Batteriladdaren har projekterats för att ladda om originala litium-jonbatterier. Det är nödvändigt att följa batteriladdarens driftsparametrar (se märkskylten som sitter på batteriladdaren). Använd batteriladdaren i lokaler som är heltorra och skyddade från damm. Använd inte laddaren till att ladda några andra än just den här värmarens batterier. Batteriladdaren har tillverkats och förinställts för att automatiskt kunna sköta en korrekt omladdningscykel i samband med att ett återladdningsbart batteri ansluts (Fig. 8). En in-

dikatorlampa som sitter på batteriladdaren förser er med en detaljerad diagnostik under sökfasen (Fig. 9). Iaktta samtliga varningsföreskrifter som gäller för batteriladdaren och som återges i vederbörande manual.

▶▶ 4. BRÄNSLE

VARNING: Värmaren fungerar endast med DIESEL eller FOTOGEN.

Använd endast diesel eller fotogen för att undvika risk för brand eller explosion. Använd aldrig bensen, nafta, lösningsmedel för färger, alkohol eller andra lättantändliga bränslen. Använd giftfria frysskyddstillätsor i händelse av mycket låga temperaturer.

▶▶ 5. DRIFTSPRINCIP

Se Fig. 2

Den luft som krävs för att säkerställa korrekt förbränning alstras genom rotation av en intern fläkt inuti brännaren. Luftflödet lämnar brännarens rör och blandas med bränslet som sprutas från ett munstycke vid ett högt tryck. Bränslet som sprutas ut från munstycket garanteras av en elektrisk pump som suger upp bränslet från tanken och trycker det med högt tryck till munstycket.

▶▶ 6. DRIFT

VARNING: Läs noggrant "SÄKERHETSINFORMATION" innan du slår på värmaren.

VIKTIGT: Efter värmarens första misständning, kontrollera om det finns bränsle i tanken, kontrollera att bränslefiltret är rent och att värmaren är placerad på en plan och stabil yta.

VIKTIGT: Denna anordning är en infraröd värmare. Den värmer upp föremål, inte luft.

VIKTIGT: För att ändra typ av strömförsörjning från batteri till kabel och tvärtom ska du stänga av värmaren genom att noggrant följa förfarandet för att undvika allvarliga skador.

▶ 6.1. PÅSLAGNING AV VÄRMAREN:

- ▶ 6.1.1. Följ alla säkerhetsanvisningar.
- ▶ 6.1.2. Kontrollera förekomsten av bränsle i tanken.
- ▶ 6.1.3. Stäng tanklocket.
- ▶ 6.1.4. Anslut nätkontakten till elnätet eller det laddade batteriet (SE SPÄNNING I "TABELL ÖVER TEKNISKA DATA") (Fig. 10-11).
- ▶ 6.1.5. Vrid strömbrytaren "ON/OFF" till "ON" (I) A Fig. 3). Värmaren slås på inom några sekunder. Om värmaren inte startar se avsnittet felsökning (Avs. 10).

OBS: OM VÄRMAREN SLÅS AV PÅ GRUND AV ATT BRÄNSLET HAR TAGIT SLUT SKA DU STÄNGA AV VÄRMAREN, FYLLA PÅ TANKEN OCH SLÅ PÅ DEN IGEN (SE AVS. 5.1.).

▶ 6.2. AVSTÄNGNING AV VÄRMAREN:

OBSERVERA: TA INTE BORT SPÄNNINGEN ELLER KOPPLA BORT MATARKABELN ELLER AVLÄGSNA BATTERIET INNAN VÄRMAREN HAR SVALNAT HELT (cirka 5 min.).

- ▶ 6.2.1. Vrid strömbrytaren "ON/OFF" till "OFF" (0) (A Fig. 3).

▶ 6.3. ANSLUTNING RUMSTERMOSTAT (tillval):

OBSERVERA: RUMSTERMOSTATEN (TILLVAL) FUNGERAR ENDAST NÄR VÄRMAREN DRIVS AV MATARKABELN.

OBSERVERA: NÄR VÄRMAREN HANteras AV RUMSTERMOSTATEN (TILLVAL) ÄR AVSLAGNINGEN OCH ÅTERPÅSLAGNINGEN AV VÄRMAREN AUTOMATISK.

Ta bort locket som är anslutet till värmaren och anslut rumstermostaten (tillval) (C Fig. 3).

▶▶ 7. RENGÖRING AV BRÄNSLEFILTER

Se Fig. 4

BEROENDE PÅ KVALITETEN PÅ DET BRÄNSLE SOM ANVÄNDS KAN DET BLI NÖDVÄNDIGT ATT RENGÖRA FILTRET.

- ▶ 7.1. Ta bort locket som sitter på tanken (A Fig. 4).
- ▶ 7.2. Dra ut filtret från tanken.
- ▶ 7.3. Skruva loss muttern (B Fig. 4).
- ▶ 7.4. Dra ut filtret (C Fig. 4).
- ▶ 7.5. Rengör filtret med rent bränsle, försiktigt så att ni inte skadar det.
- ▶ 7.6. Återmontera filtret i tanken.

▶▶ 8. FÖRVARING OCH TRANSPORT
FÖR ATT LAGRA OCH/ELLER TRANSPORTERA VÄRMAREN PÅ BÄSTA SÄTT RÅDER VI ER ATT FÖLJA FÖLJANDE FÖRFARANDE:

- ▶ 8.1. Töm tanken på bränsle.
- ▶ 8.2. Om ni upptäcker förekomst av rester ska ni hålla rent bränsle i tanken och tömma igen.
- ▶ 8.3. Stäng tanklocket och bortskaffa bränslet på lämpligt sätt och enligt gällande föreskrifter.
- ▶ 8.4. För att förvara värmaren på bästa sätt rekommenderar vi att du håller den i ett jämnt läge för att undvika bränsleläckage och att du förvarar den på en torr plats, skyddad från eventuella yttre skador.

sv

▶▶ 9. FEILVISNING

Se B Fig. 3

FEL	ORSAK	LÖSNING
OPERATIVT FEL		
F0	1. Säkerhetsbrytaren "PÅ/AV" är i läge "PÅ" (I) när generatoren är ansluten till elnätet	1. När du kopplar generatoren ifrån elnätet, ställ säkerhetsbrytaren i läge "AV" (0), återanslut kontakten till elnätet och ställ säkerhetsbrytaren i läge "PÅ" (I)
FEL PÅ FOTOCELLEN		
F1	1. Inget bränsle 2. Smutsigt bränsle 3. Smutsig eller skadad fotocell 4. Smutsigt bränslefilter 5. Fel på tändningen	1. Ställ säkerhetsbrytaren i läge "AV" (0), fyll på bränsletanken 2. Ställ säkerhetsbrytaren i läge "AV" (0) töm och senare fyll på bränsletanken. Rengör filtret med rent bränsle, var noga att du inte skadar filtret (SE AVSNITT 6) 3. Vänd dig till tekniskt supportcenter 4. SE AVSNITT 6 5. Vänd dig till tekniskt supportcenter
FEL PÅ TEMPERATURSENSORN		
F2	1. Avbruten kabel 2. Skadad sensor	1. Vänd dig till tekniskt supportcenter 2. Vänd dig till tekniskt supportcenter
FEL PÅ TERMOSTATEN		
F3	1. Intern överhettning av generatoren 2. Tippskyddssensor	1. Stäng av generatoren och vänta tills den har svalnat 2. Ställ kaminen på plan och stadig yta
OLÄMPLIG SPÄNNING		
F4	1. Olämplig spänning	1. Kontrollera att anläggningen har korrekt spänning
MISSTÄNDNING VID TRE FÖRSÖK		
FF	1. Bränslebrist 2. Smutsigt bränslefilter 3. Defekt eller smutsig fotocell 4. Defekt eller smutsigt munstycke 5. Tippsensorn har ingripit	1. Vänd dig till tekniskt supportcenter 2. Vänd dig till tekniskt supportcenter 3. Vänd dig till tekniskt supportcenter 4. Vänd dig till tekniskt supportcenter 5. Vänd dig till tekniskt supportcenter
URLADDAT BATTERI		
PF	1. Urladdat batteri	1. Ladda batteriet
HEATER IN STAND-BY		
[]	1. Ansluten termostat 2. Växling från strömtillförsel via kabel till batteri	1. Termostatens temperatur inställd under rumtemperaturen 2. Automatisk återpåslagning

►► 10. FÖREBYGGANDE UNDERHÅLLSSCHEMA

OBSERVERA: INNAN UNDERHÅLL ELLER REPARATION, KOPPLA IFRÅN NÄTSLADDEN UR ELNÄTET OCH SE TILL ATT GENERATORN ÄR KALL.

OM VÄRMAREN ANVÄNDS I SÄRSKILT DAMMIGA MILJÖER KRÄVS MER FREKVENT UNDERHÅLL OCH RENGÖRING.

BESTÅNDSDEL	FREKVENNS AV UNDERHÅLL	UNDERHÅLLS-FÖRFARANDE
Bränsletank	Rengör var 150-200 arbetstimmar eller efter behov	Töm och skölj bränsletanken med rent bränsle
Munstycke	Rengör eller byt ut en gång under arbets säsongen eller efter behov	Vänd dig till tekniskt supportcenter
Fotocell	Rengör en gång under arbets säsongen eller efter behov	Vänd dig till tekniskt supportcenter
Bränslefilter	Rengör eller byt ut två gånger under arbets säsongen eller efter behov	Rengör filtret med rent bränsle
Antändnings-anordning	Rengör eller byt ut var 1.000 arbetstimmar eller efter behov	Vänd dig till tekniskt supportcenter
Rotorblad	Rengör efter behov	Vänd dig till tekniskt supportcenter


SV


►► 11. FELSÖKNING

PROBLEM	MÖJLIG ORSAK	MÖJLIG LÖSNING
Generatorn sätter inte igång	<ol style="list-style-type: none"> 1. Blockerad generatorn 2. Säkerhetsbrytaren i läge "AV" (0) 3. Ingen spänning 4. Frånkopplad nätsladd 5. Blockerat styrkort 6. Felaktig inställning av rumstermostaten 7. Signal från temperatursensorn 8. Skadad säkring 	<ol style="list-style-type: none"> 1. Stäng av och slå på generatorn 2. Ställ säkerhetsbrytaren i läge "PÅ" (I) 3A. Anslut nätsladden till vägguttaget på ett korrekt sätt 3B. Kontrollera nätverksinstallation 3C. Vänd dig till tekniskt supportcenter 3D. Urladdat batteri 4. Vänd dig till tekniskt supportcenter 5A. Stäng av och slå på generatorn 5B. Identifiera fel på displayen 5C. Vänd dig till tekniskt supportcenter 6. Justera rumstermostaten, ställ in den vid en temperatur som överstiger arbetsmiljötemperatur 7A. Vänta minst tio minuter och sedan försök att återkomma till tändningsfasen 7B. Vänd dig till tekniskt supportcenter 8. Vänd dig till tekniskt supportcenter
Motor/pump sätter igång men det finns ingen låda	<ol style="list-style-type: none"> 1. Inget bränsle 2. Smutsig antändningsanordning 3. Smutsigt bränslefilter 4. Smutsigt munstycke 5. Fotocellen är smutsig, skadad eller felaktigt installerad 6. Förekomsten av främmande ämnen i tanken 7. Elektroder är slitna eller har placerats på ett felaktigt avstånd 	<ol style="list-style-type: none"> 1. Stäng av generatorn, fyll bränsletanken och slå på generatorn 2. Vänd dig till tekniskt supportcenter 3. Rengör filtret med rent bränsle 4. Vänd dig till tekniskt supportcenter 5. Vänd dig till tekniskt supportcenter 6. Töm och fyll bränsletanken med rent bränsle 7. Vänd dig till tekniskt supportcenter
Rotorn är blockerad eller roterar för långsamt	<ol style="list-style-type: none"> 1. Skadad motor 	<ol style="list-style-type: none"> 1. Vänd dig till tekniskt supportcenter

WAŻNE: NINIEJSZĄ INSTRUKCJĘ NALEŻY PRZECZYTAĆ PRZED PRZYSTĄPIENIEM DO MONTAŻU, URUCHOMIENIA LUB KONSERWACJI GENERATORA. NIEPRAWIDŁOWE UŻYTKOWANIE GENERATORA MOŻE SPOWODOWAĆ POWAŻNE OBRAŻENIA. NINIEJSZA INSTRUKCJA WINNA BYĆ PRZECHOWYWANA W CELU PÓZNIEJSZYCH KONSULTACJI.

►► 1. INFORMACJE DOTYCZĄCE BEZPIECZEŃSTWA (OSTRZEŻENIA)

 **WAŻNE:** Ta nagrzewnica została zaprojektowana do zastosowań mobilnych i tymczasowych. Nie została zaprojektowana do użytku domowego ani do komfortu termicznego człowieka.

 **WAŻNE:** Niniejsze urządzenie nie jest przystosowane do używania przez osoby (łącznie z dziećmi) o ograniczonych zdolnościach fizycznych, sensorycznych i psychicznych lub przez osoby niedoświadczone, chyba że pod nadzorem osoby odpowiedzialnej za ich bezpieczeństwo. Należy kontrolować dzieci, aby mieć pewność, że nie bawią się urządzeniem.

 **NIEBEZPIECZEŃSTWO:** Wdychanie tlenu węgla może mieć bardzo poważne skutki.

Pierwsze objawy zatrucia tlenkiem węgla przypominają objawy grypy i towarzyszy im ból głowy, zawroty głowy i/lub nudności. Takie objawy mogą być spowodowane wadliwym funkcjonowaniem nagrzewnicy. W PRZYPADKU WYSTĄPIENIA TEGO RODZAJU OBJAWÓW WYJŚĆ NATYCHMIAST NA ZEWNĄTRZ i zlecić naprawę nagrzewnicy centrum pomocy technicznej.

1.1. UZUPEŁNIANIE PALIWA:

- 1.1.1. Personel upoważniony do uzupełniania paliwa powinien być zaznajomiony z instrukcjami producenta oraz z przepisami obowiązującymi w zakresie bezpiecznego uzupełniania paliwa w nagrzewnicach.
- 1.1.2. Stosować wyłącznie rodzaj paliwa wyraźnie wskazany na tabliczce znamionowej nagrzewnicy.
- 1.1.3. Przed uzupełnianie paliwa należy wyłączyć nagrzewnicę i poczekać na jej ochłodzenie.
- 1.1.4. Cysterny do magazynowania paliwa powinny zostać umieszczone w osobnej strukturze.
- 1.1.5. Wszystkie zbiorniki paliwa powinny znajdować się w minimalnej odległości bezpieczeństwa od nagrzewnicy, zgodnie z obowiązującymi przepisami.
- 1.1.6. Paliwo należy przechowywać w pomieszczeniach, w których podłoże zabezpiecza przed jego wnikaniem i skapowaniem na znajdujące się niżej płomienie, co mogłoby spowodować zapalenie.
- 1.1.7. Paliwo należy przechowywać zgodnie z obowiązującymi przepisami.

1.2. BEZPIECZEŃSTWO:

- 1.2.1. Nie używać nagrzewnicy w pomieszczeniach, w których znajduje się benzyna, rozpuszczalniki do lakierów lub inne łatwopalne opary.
- 1.2.2. Podczas używania nagrzewnicy należy przestrzegać wszystkich rozporządzeń lokalnych i obowiązujących przepisów.
- 1.2.3. Nagrzewnice używane w pobliżu plandek, brezentów lub innych podobnych materiałów pokryciowych powinny być używane w bezpiecznej od nich odległości. Zaleca się również używanie materiałów ognioodpornych.
- 1.2.4. Używać wyłącznie w dobrze wentylowanych pomieszczeniach. Przygotować odpowiednie urządzenie do pobierania świeżego powietrza z zewnątrz, zgodnie z obowiązującymi przepisami.
- 1.2.5. Napięcie i częstotliwość zasilania nagrzewnicy powinny być zgodne z wartościami podanymi na jej tabliczce znamionowej.

- 1.2.6. Używać wyłącznie trójprzewodowych przedłużaczy odpowiednio podłączonych do uziemienia.
- 1.2.7. Zalecane minimalne odległości bezpieczeństwa między nagrzewnicą a substancjami łatwopalnymi: wyjście przednie = 2,5 m (8 ft); z boku, w górę i z tyłu = 1,5 m (5 ft).
- 1.2.8. Rozgrzaną lub pracującą nagrzewnicę ustawiać na stabilnej i wypoziomowanej powierzchni, aby uniknąć zagrożenia pożarem.
- 1.2.9. Trzymać zwierzęta w bezpiecznej odległości od nagrzewnicy.
- 1.2.10. Gdy nagrzewnica nie jest używana, odłączyć ją od zasilania lub usunąć akumulator.
- 1.2.11. Gdy nagrzewnica sterowana jest przez termostat, może włączyć się w dowolnym momencie.
- 1.2.12. Nie używać nagrzewnicy w często uczęszczanych pomieszczeniach i w sypialniach.
- 1.2.13. Gdy nagrzewnica jest gorąca, przyłączona do zasilania elektrycznego, zasilana akumulatorem lub włączona, nigdy nie należy jej przenosić, manipulować przy niej, uzupełniać paliwa lub wykonywać konserwacji.
- 1.2.14. Materiały łatwopalne lub termolabilne (łącznie z kablem zasilającym) powinny znajdować się w bezpiecznej odległości od gorących części nagrzewnicy.
- 1.2.15. Jeśli kabel zasilający lub akumulator są uszkodzone, powinny zostać wymienione przez centrum pomocy technicznej w celu uniknięcia jakiegokolwiek ryzyka (zutylizować uszkodzony materiał zgodnie z obowiązującymi przepisami).
- 1.2.16. Aby zapobiec wszelkiemu ryzyku, przed przyłączeniem kabla zasilającego i/lub umieszczeniem akumulatora ponownego ładowania upewnić się, że nagrzewnica jest wyłączona.
- 1.2.17. Używać tylko i wyłącznie oryginalnych akumulatorów ponownego ładowania, przewidzianych dokładnie do tego zastosowania. Użycie nieodpowiednich akumulatorów może doprowadzić do szkód lub do zagrożenia życia, zranień, oparzeń, wybuchów, wstrząsów elektrycznych lub zatrucia.
- 1.2.18. Zachować odpowiednią bezpieczną odległość między odłączonym akumulatorem ponownego ładowania a zaciskami, monetami, kluczami, gwoździakami, śrubami i innymi małymi metalowymi przedmiotami, które mogłyby ewentualnie doprowadzić do zwarcia. Ewentualne zwarcie między stykami akumulatora może doprowadzić do szkód lub do zagrożenia życia osób, do zranień, oparzeń, wybuchów itp.
- 1.2.19. Nieprawidłowe zastosowanie akumulatora ponownego ładowania może doprowadzić do wycieku płynu z akumulatora. Bezwzględnie unikać kontaktu z płynem. W razie przypadkowego kontaktu, przepłukać dokładnie wodą skażone miejsce. Niezwłocznie zwrócić się do lekarza, w przypadku przedostania się płynu do oczu. Wylany płyn akumulatorowy może doprowadzić do podrażnień skóry lub poparzeń.
- 1.2.20. Nieprawidłowe zastosowanie akumulatora ponownego ładowania może doprowadzić do ułatniania się z niego oparów. Bezwzględnie unikać wdychania takich oparów. Doprowadzić świeże powietrze, a w przypadku przedostania się do dróg oddechowych i wystąpienia zaburzeń, zwrócić się o pomoc lekarską. Opary mogą działać drażniaco na drogi oddechowe.
- 1.2.21. Aby uniknąć poważnego ryzyka, nie należy otwierać/demontować akumulatora ponownego ładowania.
- 1.2.22. Aby uniknąć poważnego ryzyka, należy chronić akumulator ponownego ładowania przed ciepłem (np. długotrwałe promieniowanie słoneczne, płomienie, woda, wilgoć itp.).
- 1.2.23. Używać wyłącznie akumulatora ponownego ładowania przeznaczonego do danej nagrzewnicy, aby nie dopuścić do niebezpiecznych przeciążeń.
- 1.2.24. Używać wyłącznie oryginalnych akumulatorów ponownego ładowania o napięciu podanym na tabliczce danych technicznych nagrzewnicy. W przypadku zastosowania in-

nych akumulatorów (na przykład podróbek, akumulatorów po regeneracji, akumulatorów konkurencji itp.) istnienie niebezpieczeństwo zranienia i/lub wybuchu.

- ▶ 1.2.25. Naładować akumulator ponownego ładowania wyłącznie przy pomocy oryginalnych ładowarek. Każdy akumulator wymaga zastosowania odpowiedniej ładowarki, aby nie dopuścić do ryzyka pożaru lub wybuchu.
- ▶ 1.2.26. Stosować wyłącznie sposobów zasilania elektryczne określonych w niniejszej instrukcji. Zakaz zmiany rodzaju zasilania w czasie pracy nagrzewnicy, ponieważ może to doprowadzić do poważnych szkód.
- ▶ 1.2.27. Gdy nagrzewnica jest obsługiwana przez termostat lub przechodzi się z zasilania elektrycznego kablowego na zasilanie akumulatorem, nagrzewnica może się wyłączyć i przejść do trybu czuwania (na wyświetlaczu pojawia się sygnalizacja „[]”), zwrócić szczególną uwagę, ponieważ nagrzewnica może ponownie włączyć się automatycznie w dowolnym momencie i spowodować poważne szkody na mieniu i osobach.

▶▶2. ROZPAKOWYWANIE

Patrz Rys. 1

- ▶ 2.1. Należy usunąć wszystkie materiały użyte do pakowania i wysyłki nagrzewnicy, i zlikwidować je zgodnie z obowiązującymi przepisami.
- ▶ 2.2. Wyjąć wszystkie elementy z opakowania.
- ▶ 2.3. Sprawdzić, czy występują ewentualne uszkodzenia powstałe podczas transportu. W przypadku uszkodzenia nagrzewnicy należy niezwłocznie poinformować sprzedawcę, u którego została kupiona.

▶▶3. OPIS ARTYKUŁÓW

▶ 3.1. KABEL ZASILAJĄCY (gdzie jest obecny):

KABEL ZASILAJĄCY NIE PEŁNI FUNKCJI ŁADOWARKI.

(Rys. 5) nagrzewnica może działać po przyłączeniu do sieci elektrycznej za pomocą kabla zasilającego. Okresowo sprawdzać stan kabla, aby nie dopuścić do poważnych uszkodzeń. Zastosować się do wszystkich ostrzeżeń odnoszących się do kabla zasilającego wskazanych w niniejszej instrukcji.

▶ 3.2. AKUMULATOR (jeśli stanowi część wyposażenia):

(Rys. 6)

ADNOTACJE: W ZALEŻNOŚCI OD POJEMNOŚCI AKUMULATORA (MIERZONEJ W Ah), NALEŻY UŻYĆ ORYGINALNEJ ŁADOWARKI O ODPOWIEDNIEJ MOCY.

Nagrzewnica może działać w sposób autonomiczny, przy zastosowaniu oryginalnego akumulatora ponownego ładowania Li-ion, bez konieczności przyłączenia do sieci elektrycznej. Akumulator jest dostarczany częściowo naładowany i dlatego zalecamy jego pełne naładowanie przed użyciem. Do zasilania nagrzewnicy używać wyłącznie oryginalnych akumulatorów. Zastosować się do wszystkich ostrzeżeń podanych w niniejszej instrukcji dla akumulatora.

▶ 3.3. ŁADOWARKA (jeśli stanowi część wyposażenia):

(Rys. 7) ładowarka została zaprojektowana do ładowania oryginalnych akumulatorów Li-ion. Należy przestrzegać parametrów działania ładowarki (patrz tabliczka z danymi na ładowarce). Używać ładowarki w miejscach całkowicie suchych i zabezpieczonych przed kurzem, wyłącznie do ładowania oryginalnych akumulatorów, stosowanych do zasilania tej nagrzewnicy. Ładowarka jest gotowa do automatycznej obsługi prawidłowego cyklu ładowania po podłączeniu akumulatora (Rys. 8). Wskaźnik świetlny znajdujący się na ładowarce, pozwala uzyskać szczegółową diagnostykę podczas fazy wyszukiwania (Rys. 9). Zastosować się do wszystkich ostrzeżeń podanych w niniejszej instrukcji dla ładowarki.

▶▶4. PALIWO

OSTRZEŻENIE: Nagrzewnica pracuje wyłącznie na takie paliwa, jak OLEJ OPAŁOWY lub NAFTA.

Aby uniknąć ryzyka pożaru lub wybuchu, należy używać wyłącznie oleju napędowego lub nafty. Nigdy nie używać benzyny, gazu płynnego, rozpuszczalników do farb, alkoholu lub innych łatwopalnych paliw.

W przypadku bardzo niskich temperatur używać nietoksycznych dodatków zapobiegających zamarzaniu.

▶▶5. ZASADA DZIAŁANIA

Patrz Rys. 2

Powietrze niezbędne do zapewnienia prawidłowego spalania, wytwarzane jest przez obrót wewnętrznego wirnika do palnika. Strumień powietrza wydobywa się z tulei palnika i miesza się z paliwem rozpylanym przez dyszę pod wysokim ciśnieniem. Paliwo rozpylane przez dyszę jest zapewniane przez pompę elektryczną, która odsysa paliwo ze zbiornika i popycha je pod wysokim ciśnieniem do dyszy.

▶▶6. DZIAŁANIE

OSTRZEŻENIE: Przed włączeniem nagrzewnicy uważnie przeczytać „INFORMACJE DOTYCZĄCE BEZPIECZEŃSTWA”.

WAŻNE: Po pierwszym nieudanym włączeniu nagrzewnicy należy sprawdzić obecność paliwa w zbiorniku, czy filtr paliwa jest czysty oraz czy nagrzewnica znajduje się na płaskiej i stabilnej powierzchni.

WAŻNE: Niniejsze urządzenie jest nagrzewnicą podczerwieni. Ogrzewa przedmioty, a nie powietrze.

WAŻNE: Aby zmienić rodzaj zasilania elektrycznego z akumulatora na kabel i odwrotnie, wyłączyć nagrzewnicę, skrupulatnie przestrzegając całej procedury, aby uniknąć poważnych szkód.

▶ 6.1. WŁĄCZENIE NAGRZEWNICY:

- ▶ 6.1.1. Śledzić wszystkie instrukcje dotyczące bezpieczeństwa.
- ▶ 6.1.2. Sprawdzić obecność paliwa w zbiorniku.
- ▶ 6.1.3. Zamknąć pokrywę zbiornika.
- ▶ 6.1.4. Przyłączyć wtyczkę zasilania do sieci elektrycznej lub naładowany akumulator (PATRZ NAPIĘCIE W „TABELI DANYCH TECHNICZNYCH”) (Rys. 10-11).
- ▶ 6.1.5. Ustawić wyłącznik „ON/OFF” na „ON” (I) (A Rys. 3). Nagrzewnica powinna włączyć się w ciągu kilku sekund. Jeśli nagrzewnica nie uruchamia się, odnieść się do paragrafu „Identyfikacja problemu” (Parag. 10).

PAMIĘTAJ: W PRZYPADKU WYŁĄCZENIA SIĘ NAGRZEWNICY SPOWODOWANEGO WYCZERPANIEM SIĘ PALIWA, WYŁĄCZYĆ NAGRZEWNICĘ, NAPEŁNIĆ ZBIORNIK I PONOWNIE JĄ WŁĄCZYĆ (PATRZ PARAG. 5.1.).

▶ 6.2. WYŁĄCZENIE NAGRZEWNICY:

UWAGA: NIE ODCINAĆ NAPIĘCIA ANI NIE ODŁĄCZAĆ KABLA ZASILAJĄCEGO LUB USUWAĆ AKUMULATORA, AŻ DO CAŁKOWITEGO SCHŁODZENIA NAGRZEWNICY (około 5 min).

- ▶ 6.2.1. Ustawić wyłącznik „ON/OFF” na „OFF” (0) (A Rys. 3).

► 6.3. POŁĄCZENIE TERMOSTATU POKOJOWEGO (opcja):

UWAGA: TERMOSTAT POKOJOWY (OPCJA) DZIAŁA JEDYNIEM, GDY NAGRZEWNICA ZASILANA JEST PRZEZ KABEL ZASILAJĄCY.

UWAGA: GDY NAGRZEWNICA JEST OBSŁUGIWANA PRZEZ TERMOSTAT POKOJOWY (OPCJA), WYŁĄCZENIE I PONOWNE WŁĄCZENIE NAGRZEWNICY JEST AUTOMATYCZNE.

Usunąć zatyczkę połączoną z nagrzewnicą i przyłączyć termostat pokojowy (opcja) (C Rys. 3).

►► 7. CZYSZCZENIE FILTRA PALIWA

Patrz Rys. 4

W ZALEŻNOŚCI OD JAKOŚCI UŻYWANEGO PALIWA MOŻE WYSTĄPIĆ KONIECZNOŚĆ WYCZYSZCZENIA FILTRA.

- 7.1. Usunąć zatyczkę znajdującą się na zbiorniku (A Rys. 4).
- 7.2. Wyjąć filtr ze zbiornika.
- 7.3. Odkręcić nakrętkę (B Rys. 4).

- 7.4. Wysunąć filtr (C Rys. 4).
- 7.5. Wyczyścić filtr czystym paliwem, uważając, żeby go nie uszkodzić.
- 7.6. Ponownie zamontować filtr w zbiorniku.

►► 8. PRZECHOWYWANIE I TRANSPORT
ABY JAK NAJLEPIEJ PRZECHOWAĆ I/LUB PRZETRANSPORTOWAĆ NAGRZEWNICĘ WSKAZANE JEST PRZEPROWADZENIE PONIŻSZEJ PROCEDURY:

- 8.1. Opróżnić zbiornik z paliwa.
- 8.2. Jeśli zauważy się obecność pozostałości, wlać czyste paliwo do zbiornika i ponownie spuścić.
- 8.3. Zamknąć zatyczkę zbiornika, i utylizować paliwo odpowiednio i zgodnie z obowiązującymi przepisami.
- 8.4. Aby jak najlepiej przechować nagrzewnicę, wskazane jest utrzymanie jej w pozycji wyrównanej, aby uniknąć wyciekania paliwa i przechowywanie jej w suchym miejscu i zabezpieczonym przed ewentualnymi uszkodzeniami zewnętrznymi.

pl

►► 9. BŁĘDY WYŚWIETLACZA

Patrz B Rys. 3

BŁĄD	PRZYCZYNA	ROZWIĄZANIE
BŁĄD OPERACYJNY		
F0	1. Wyłącznik "ON/OFF" jest w pozycji "ON" (I) kiedy generator zostaje podłączony do sieci elektrycznej	1. Po odłączeniu generatora od sieci elektrycznej ustawić wyłącznik w pozycji "OFF" (0), ponownie podłączyć wtyczkę do sieci elektrycznej i umieścić wyłącznik w pozycji "ON" (I)
BŁĄD FOTOKOMÓRKI		
F1	1. Brak paliwa 2. Paliwo zanieczyszczone 3. Fotokomórka zanieczyszczona lub uszkodzona 4. Filtr paliwa zanieczyszczony 5. Błąd zapłonu	1. Umieścić wyłącznik w pozycji "OFF" (0), napełnić zbiornik paliwem 2. Umieścić wyłącznik w pozycji "OFF" (0) opróżnić a następnie ponownie napełnić zbiornik paliwa. Wyczyścić filtr czystym paliwem, uważając aby go nie uszkodzić (PATRZ PARAG. 6) 3. Zwrócić się do centrum obsługi technicznej 4. PATRZ PARAG. 6 5. Zwrócić się do centrum obsługi technicznej
BŁĄD CZUJNIKA KONTROLI TEMPERATURY		
F2	1. Kabel przerwany 2. Uszkodzony czujnik	1. Zwrócić się do centrum obsługi technicznej 2. Zwrócić się do centrum obsługi technicznej
BŁĄD TERMOSTATU		
F3	1. Wewnętrzne przegrzanie generatora 2. Czujnik zapobiegający przewróceniu	1. Wyłączyć generator odczekać do jego całkowitego schłodzenia 2. Piec należy ustawić na płaskiej i stabilnej powierzchni
NIEPRAWIDŁOWE NAPIĘCIE		
F4	1. Nieprawidłowe napięcie	1. Sprawdzić czy w instalacji jest prawidłowe napięcie
NIEUDANE TRZYKROTNE WŁĄCZENIE		
FF	1. Brak paliwa 2. Brudny filtr paliwa 3. Brudna lub wadliwa fotokomórka 4. Brudna lub wadliwa dysza 5. Aktywacja czujnika antityling	1. Zwrócić się do centrum obsługi technicznej 2. Zwrócić się do centrum obsługi technicznej 3. Zwrócić się do centrum obsługi technicznej 4. Zwrócić się do centrum obsługi technicznej 5. Zwrócić się do centrum obsługi technicznej
ROZŁADOWANY AKUMULATOR		
PF	1. Rozładowany akumulator	1. Naładować akumulator
NAGRZEWNICA W TRYBIE CZUWANIA		
[]	1. Termostat połączony 2. Przejście z zasilania kablowego na zasilanie akumulatorem	1. Ustawiona temperatura termostatu poniżej temperatury pokojowej 2. Automatyczne ponowne włączenie

►► 10. HARMONOGRAM KONSERWACJI ZAPOBIEGAWCZEJ

UWAGA: PRZED PRZYSTĄPIENIEM DO JAKIEJKOLWIEK CZYNNOŚCI KONSERWACYJNEJ LUB NAPRAWCZEJ, ODŁĄCZYĆ KABEL ZASILAJĄCY OD SIECI ELEKTRYCZNEJ ORAZ UPEWNIĆ SIĘ, ŻE GENERATOR JEST ZIMNY.

W PRZYPADKU UŻYWANIA NAGRZEWNICY W SZCZEGÓLNIIE ZAPYLONYCH ŚRODOWISKACH NALEŻY CZĘŚCIEJ PRZEPROWADZAĆ CZYNNOŚCI Z ZAKRESU KONSERWACJI I CZYSZCZENIA.

ELEMENT	CZĘSTOTLIWOŚĆ KONSERWACJI	PROCEDURA KONSERWACJI
Zbiornik paliwa	Czyścić co 150-200 godzin pracy lub w zależności od potrzeb	Opróżnić i przepłukać zbiornik używając w tym celu czystego paliwa
Dysza	Wyczyścić lub wymienić jeden raz w trakcie jednego sezonu pracy lub w zależności od potrzeby	Zwrócić się do centrum obsługi technicznej
Fotokomórka	Czyścić raz w trakcie sezonu pracy lub w zależności od potrzeby	Zwrócić się do centrum obsługi technicznej
Filtr paliwa	Czyścić lub wymienić dwa razy w trakcie jednego sezonu pracy lub w zależności od potrzeb	Wyczyścić filtr paliwa używając w tym celu czystego paliwa
Urządzenie zapłonowe	Czyścić lub wymieniać co 1.000 godzin pracy, lub w zależności od potrzeb	Zwrócić się do centrum obsługi technicznej
Łopatki wirnika	Czyścić w zależności od potrzeby	Zwrócić się do centrum obsługi technicznej

►► 11. IDENTYFIKACJA PROBLEMU

PROBLEM	MOŻLIWA PRZYCZYNA	MOŻLIWE ROZWIĄZANIE
Generator nie uruchamia się	<ol style="list-style-type: none"> Zablokowany generator Wyłącznik znajduje się w pozycji "OFF" (0) Brak napięcia Odłączony kabel zasilający Zablokowana karta sterowania Błędne ustawienie termostatu pokojowego Interwencja czujnika temperatury Uszkodzony bezpiecznik 	<ol style="list-style-type: none"> Wyłączyć i ponownie włączyć generator Wyłącznik umieścić w pozycji "ON" (I) 3A. Wprowadzić prawidłowo kabel zasilający do gniazdka sieci elektrycznej 3B. Sprawdzić instalację sieciową 3C. Zwrócić się do centrum obsługi technicznej 3D. Rozładowany akumulator 4. Zwrócić się do centrum obsługi technicznej 5A. Wyłączyć i ponownie włączyć generator 5B. Zidentyfikować błąd na wyświetlaczu 5C. Zwrócić się do centrum obsługi technicznej 6. Wyregulować termostat pokojowy, ustawiając go w temperaturze wyższej od temperatury środowiska pracy 7A. Odczekać co najmniej dziesięć minut, a następnie ponownie spróbować przejść do fazy zapłonu 7B. Zwrócić się do centrum obsługi technicznej 8. Zwrócić się do centrum obsługi technicznej
Silnik/pompa uruchamia się ale płomień nie zostaje wzniecony	<ol style="list-style-type: none"> Brak paliwa Urządzenie zapłonowe zanieczyszczone Zanieczyszczony filtr paliwa Zanieczyszczona dysza Fotokomórka jest zanieczyszczona, uszkodzona lub została nieprawidłowo zainstalowana Obecność obcych substancji w zbiorniku Zużyte elektrody lub ustawione w błędnej odległości 	<ol style="list-style-type: none"> Wyłączyć generator, napełnić zbiornik paliwem i ponownie włączyć generator Zwrócić się do centrum obsługi technicznej Wyczyścić filtr przy użyciu czystego paliwa Zwrócić się do centrum obsługi technicznej Zwrócić się do centrum obsługi technicznej Opróżnić i ponownie napełnić zbiornik czystym paliwem Zwrócić się do centrum obsługi technicznej
Wirnik jest zablokowany lub obraca się zbyt wolno	<ol style="list-style-type: none"> Uszkodzony silnik 	<ol style="list-style-type: none"> Zwrócić się do centrum obsługi technicznej

ВАЖНО: НАСТОЯЩЕЕ РУКОВОДСТВО СЛЕДУЕТ СОБЛЮДАТЬ ПЕРЕД ТЕМ, КАК ПРИСТУПИТЬ К МОНТАЖУ, ЗАПУСКУ ИЛИ ПРОФИЛАКТИКЕ ГЕНЕРАТОРА. НЕПРАВИЛЬНАЯ ЭКСПЛУАТАЦИЯ ГЕНЕРАТОРА МОЖЕТ ПРИВЕСТИ К СЕРЬЕЗНЫМ ТРАВМАМ. НАСТОЯЩЕЕ РУКОВОДСТВО СЛЕДУЕТ ХРАНИТЬ ДЛЯ ПОСЛЕДУЮЩИХ КОНСУЛЬТАЦИЙ.

►► 1. ИНФОРМАЦИЯ О БЕЗОПАСНОСТИ (МЕРЫ ПРЕДОСТОРОЖНОСТИ)



ВАЖНО! Этот воздухонагреватель разработан для мобильного и временного профессионального использования. Он не предназначен ни для домашнего применения, ни для создания теплового комфорта человека.



ВАЖНО! Не допускается эксплуатация обогревателя лицами (включая детей) с ограниченными физическими, сенсорными, умственными способностями. Не допускается эксплуатация обогревателя лицами, не обладающими достаточным опытом и знаниями, если они действуют без присмотра лица, отвечающего за их безопасность. Дети должны быть под присмотром и не играть с прибором.



ОПАСНОСТЬ: Отравление угарным газом может привести к смертельному исходу.

Первые симптомы отравления угарным газом напоминают грипп: головные боли, головокружение и/или тошнота. Эти симптомы могут быть вызваны сбоем в работе обогревателя. В СЛУЧАЕ ПОЯВЛЕНИЯ ДАННЫХ СИМПТОМОВ НЕМЕДЛЕННО ВЫЙТИ НА ОТКРЫТЫЙ ВОЗДУХ, обратиться в технический сервисный центр для проведения ремонта обогревателя.

1.1. ЗАПРАВКА:

- ▶ 1.1.1. Персонал, ответственный за заправку, должен быть квалифицированным, хорошо знать инструкции изготовителя и действующие правила по безопасной заправке обогревателей.
- ▶ 1.1.2. Использовать исключительно вид топлива, который указан на табличке обогревателя.
- ▶ 1.1.3. Перед выполнением заправки выключить обогреватель и дождаться его охлаждения.
- ▶ 1.1.4. Баки для хранения топлива должны находиться в отдельном помещении.
- ▶ 1.1.5. Все топливные баки должны храниться на минимальном безопасном расстоянии от обогревателя, в соответствии с действующими стандартами.
- ▶ 1.1.6. Топливо должно храниться в зонах с поверхностью основания, исключающей проникновение или протечку топлива, могущих быть причиной воспламенения.
- ▶ 1.1.7. Хранение топлива должно осуществляться в соответствии с правилами и требованиями действующего законодательства.

1.2. БЕЗОПАСНОСТЬ:

- ▶ 1.2.1. Не допускается использовать обогреватель в помещениях, в которых присутствует бензин, растворители краски или другие испарения легковоспламеняющихся веществ.
- ▶ 1.2.2. При эксплуатации оборудования соблюдать все правила и требования действующего законодательства.
- ▶ 1.2.3. Обогреватели, использующиеся в непосредственной близости от брезента, полотен или других подобных материалов покрытия, должны быть расположены на безопасном расстоянии от них. Рекомендуется также использовать для покрытия огнестойкие материалы.
- ▶ 1.2.4. Обогреватель использовать только в достаточно открытых и хорошо проветриваемых местах. Обеспечить доступ свежего воздуха снаружи, в соответствии с действующими требованиями и правилами.
- ▶ 1.2.5. Напряжение и частота сети питания должны соответствовать данным, указанным на табличке, расположенной на обогревателе.
- ▶ 1.2.6. Использовать только трехпроводные удлинители, подключенные к заземлению.
- ▶ 1.2.7. Минимальное рекомендуемое безопасное расстояние между обогревателем и воспламеняющимися веществами: передний выход = 2,5 м (8 футов); сбоку, сверху и сзади = 1,5 м (5 футов).
- ▶ 1.2.8. Во избежание возникновения пожара, горячий или работающий обогреватель должен быть установлен на стабильном и ровном основании.
- ▶ 1.2.9. Животные должны находиться на безопасном расстоянии от обогревателя.
- ▶ 1.2.10. Отключить обогреватель от сети электропитания или отсоединить аккумулятор, когда обогреватель не используется.
- ▶ 1.2.11. Неотключенный обогреватель, управляемый термостатом, может включиться самостоятельно в любой момент.
- ▶ 1.2.12. Никогда не использовать обогреватель в жилых помещениях с частым присутствием людей, а также в спальнях помещений.
- ▶ 1.2.13. Не допускается перемещение, заправка, техническое обслуживание горячего обогревателя, а также обогревателя, подключенного к сети электропитания или к аккумулятору.
- ▶ 1.2.14. Нагретый обогреватель должен находиться на безопасном расстоянии от горючих или легковоспламеняемых материалов (включая кабель питания).
- ▶ 1.2.15. В случае повреждения кабеля электропитания или аккумулятора необходимо заменить их, обратившись в центр технической поддержки, во избежание любого рода опасности (утилизировать поврежденный материал согласно действующим нормам).
- ▶ 1.2.16. Убедиться, что обогреватель выключен, прежде чем вставлять подключать в сеть кабель электропитания и/или подсоединять перезаряжаемый аккумулятор, во избежание любого рода опасности.
- ▶ 1.2.17. Использовать исключительно оригинальные предусмотренные перезаряжаемые аккумуляторы. Использование перезаряжаемых аккумуляторов не по назначению может стать причиной нанесения ущерба, поставить под угрозу жизнь людей, привести к травмам, ожогам, взрывам, поражению электрическим током или отравлению.
- ▶ 1.2.18. Всегда необходимо поддерживать подходящее безопасное расстояние между отсоединенным перезаряжаемым аккумулятором и заколками, монетами, ключами, гвоздями, винтами и другими мелкими металлическими предметами, которые могут спровоцировать короткое замыкание. Короткое замыкание контактов перезаряжаемого аккумулятора может нанести ущерб, поставить под угрозу жизнь и безопасность людей, привести к травмам, ожогам, взрывам и т.п.
- ▶ 1.2.19. Неправильное использование перезаряжаемого аккумулятора может привести к утечке жидкости из аккумулятора. Ни в коем случае не притрагиваться к ней. При случайном контакте тщательно смыть водой. Незамедлительно обратиться к врачу, если жидкость попадает в глаза. Вытекшая из перезаряжаемого аккумулятора жидкость может привести к раздражению кожи или ожогам.
- ▶ 1.2.20. Неправильное использование перезаряжаемого аккумулятора может привести к выходу паров из аккумулятора. Ни в коем случае не вдыхать эти пары. Проветрить помещение и, при случайном вдыхании паров, обратиться к врачу в случае появления каких-либо симптомов. Пары могут вызвать раздражение дыхательных путей.
- ▶ 1.2.21. Нельзя пытаться открыть/демонтировать перезаряжаемый аккумулятор во избежание серьезной опасности.
- ▶ 1.2.22. Во избежание серьезной опасности необходимо защитить перезаряжаемый аккумулятор от воздействия тепла (например, постоянное солнечное излучение, огонь), воды влажности и т.д..
- ▶ 1.2.23. Использовать определенный перезаряжаемый аккумулятор исключительно с настоящим обогревателем, чтобы избежать опасных перегрузок.
- ▶ 1.2.24. Использовать исключительно оригинальные перезаряжаемые аккумуляторы с напряжением, указанным на табличке технических данных обогревателя. В случае использования других перезаряжаемых аккумуляторов (например, подделки, регенерированные аккумуляторные батареи, аккумуляторы конкурентных компаний и т.д.) существует опасность травмирования и/или взрыва.
- ▶ 1.2.25. Заряжать перезаряжаемый аккумулятор исключительно посредством оригинального зарядного устройства. Каждый аккумулятор нуждается в специальном зарядном устройстве, во избежание риска пожара и взрыва.

- ▶ 1.2.26. Использовать только режимы питания электроэнергией, предусмотренные в настоящем руководстве. Запрещается менять режим питания при работающем обогревателе, во избежание нанесения серьезного ущерба.
- ▶ 1.2.27. Когда обогреватель управляется посредством термостата или при переходе с кабельного электропитания на питание от аккумулятора, обогреватель может выключиться и перейти в режим ожидания (на дисплее появится сигнал "[]"). Необходимо быть предельно внимательными, потому что обогреватель можно автоматически включиться в любой момент и нанести серьезный ущерб людям или имуществу.

▶▶ 2. СНЯТИЕ УПАКОВКИ

См. Рис. 1

- ▶ 2.1. Удалите все упаковочные материалы, использованные для упаковки и транспортировки обогревателя, утилизируйте их согласно действующих норм.
- ▶ 2.2. Достать все изделия из упаковки.
- ▶ 2.3. Проверьте, нет ли повреждений, полученных во время перевозки. Если на приборе обнаружены повреждения, необходимо немедленно сообщить об этом представителю продавца по месту приобретения оборудования

▶▶ 3. ОПИСАНИЕ ИЗДЕЛИЙ

▶ 3.1. КАБЕЛЬ ПИТАНИЯ (при наличии):

КАБЕЛЬ ПИТАНИЯ НЕ ВЫПОЛНЯЕТ ФУНКЦИЮ ЗАРЯДНОГО УСТРОЙСТВА.

(Рис. 5) Обогреватель может работать от сети электропитания через кабель электропитания. Периодически проверять состояние кабеля, во избежание серьезных повреждений. Соблюдать все меры предосторожности, касающиеся кабеля питания, приведенные в настоящем руководстве.

▶ 3.2. АККУМУЛЯТОР (при наличии):

(Рис. 6)

ПРИМЕЧАНИЯ: В ЗАВИСИМОСТИ ОТ ЕМКОСТИ АККУМУЛЯТОРА (ИЗМЕРЯЕМОЙ В Ач), НЕОБХОДИМО ИСПОЛЬЗОВАТЬ ОРИГИНАЛЬНОЕ ЗАРЯДНОЕ УСТРОЙСТВО ПОДХОДЯЩЕЙ МОЩНОСТИ.

Обогреватель может работать с использованием оригинального перезаряжаемого литиевого аккумулятора, без необходимости подключения к сети электропитания. Перезаряжаемый аккумулятор поставляется частично заряженным, поэтому перед использованием аккумулятора рекомендуется полностью зарядить его. Использовать только оригинальные аккумуляторы для подачи питания на обогреватель. Соблюдать все меры предосторожности, касающиеся аккумулятора, приведенные в настоящем руководстве.

▶ 3.3. ЗАРЯДНОЕ УСТРОЙСТВО (при наличии):

(Рис. 7) Зарядное устройство разработано для зарядки оригинальных литиевых аккумуляторов. Необходимо соблюдать рабочие параметры зарядного устройства (см. табличку данных на зарядном устройстве). Использовать зарядное устройство в совершенно сухих местах, защищенных от пыли, для зарядки исключительно оригинальных перезаряжаемых аккумуляторов, используемых для подачи питания на данный обогреватель. Зарядное устройство предназначено для автоматического правильного цикла зарядки при подсоединении перезаряжаемого аккумулятора (Рис. 8). Световой индикатор, расположенный на зарядном устройстве, позволяет располагать детальной информацией на стадии зарядки (Рис. 9). Соблюдать все меры предосторожности, касающиеся зарядного устройства, приведенные в настоящем руководстве.

▶▶ 4. ТОПЛИВО

ПРЕДУПРЕЖДЕНИЕ: Обогреватель работает только на ДИЗЕЛЬНОМ ТОПЛИВЕ или на КЕРОСИНЕ.

Использовать только дизельное топливо или керосин во избежание пожара или взрыва. Никогда не использовать бензин, нефть, растворители для краски, спирт или другие легковоспламеняющиеся виды топлива.

Использовать нетоксичные антифризные добавки при эксплуатации при очень низкой температуре.

▶▶ 5. ПРИНЦИП ДЕЙСТВИЯ

См. Рис. 2

Воздух, необходимый для обеспечения правильного процесса горения, подается посредством вращения крыльчатки внутри горелки. Поток воздуха выходит из втулки горелки и смешивается с топливом, которое подается под высоким давлением из форсунки. Распыляемое из форсунки топливо подается благодаря наличию электрического насоса, который всасывает топливо из бака и подает его под высоким давлением на форсунку.

▶▶ 6. ФУНКЦИОНИРОВАНИЕ

ПРЕДУПРЕЖДЕНИЕ: Внимательно прочтите «ИНФОРМАЦИЮ ПО ТЕХНИКЕ БЕЗОПАСНОСТИ», перед тем, как включить обогреватель.

ВАЖНО! После первой неудачной попытки зажигания обогревателя, убедиться в наличии топлива в баке, убедиться, что топливный фильтр чист, а обогреватель установлен на ровной устойчивой поверхности.

ВАЖНО! Данный обогреватель является инфракрасным обогревателем. Обогревает предметы, а не воздух.

ВАЖНО! Чтобы изменить тип электропитания с аккумулятора на сетевое питание и наоборот, необходимо выключить обогреватель, строго придерживаясь указанного порядка действий, во избежание любого рода ущерба.

▶ 6.1. ВКЛЮЧЕНИЕ ОБОГРЕВАТЕЛЯ:

- ▶ 6.1.1. Следовать всем инструкциям по технике безопасности.
- ▶ 6.1.2. Проверить наличие топлива в баке.
- ▶ 6.1.3. Закрыть пробку бака.
- ▶ 6.1.4. Вставить разъем в сеть электропитания или в заряженный аккумулятор (СМ. НАПРЯЖЕНИЕ В «ТАБЛИЦЕ ТЕХНИЧЕСКИХ ДАННЫХ») (Рис. 10-11).
- ▶ 6.1.5. Перевести выключатель "ВКЛ/ВЫКЛ" в положение "ВКЛ" (I) (Рис. 3). Обогреватель должен включиться в течение нескольких секунд. Если обогреватель не включается, см. параграф определения проблем (парагр. 10).

ПРИМЕЧАНИЕ: В СЛУЧАЕ ВЫКЛЮЧЕНИЯ ОБОГРЕВАТЕЛЯ ИЗ-ЗА ПОЛНОГО РАСХОДА ТОПЛИВА, ВЫКЛЮЧИТЬ ОБОГРЕВАТЕЛЬ, ДОЛИТЬ ТОПЛИВО В БАК И СНОВА ВКЛЮЧИТЬ ЕГО (СМ. ПАРАГ. 5.1.).

▶ 6.2. ВЫКЛЮЧЕНИЕ ОБОГРЕВАТЕЛЯ:

ВНИМАНИЕ! НЕ ОТКЛЮЧАТЬ ЭЛЕКТРОПИТАНИЕ, НЕ ОТСОЕДИНЯТЬ КАБЕЛЬ ЭЛЕКТРОПИТАНИЯ И АККУМУЛЯТОР ДО ПОЛНОГО ОХЛАЖДЕНИЯ ОБОГРЕВАТЕЛЯ (около 5 мин.).

- ▶ 6.2.1. Перевести выключатель "ВКЛ/ВЫКЛ" в положение "ВЫКЛ" (0) (Рис. 3).

▶ 6.3. ПОДКЛЮЧЕНИЕ ТЕРМОСТАТА ДЛЯ КОНТРОЛЯ ПОМЕЩЕНИЯ (опционально):

ВНИМАНИЕ! ТЕРМОСТАТ ПОМЕЩЕНИЯ (ОПЦИЯ) РАБОТАЕТ, ТОЛЬКО КОГДА ПИТАНИЕ НА ОБОГРЕВАТЕЛЬ ПОДАЕТСЯ ПОСРЕДСТВОМ КАБЕЛЯ ЭЛЕКТРОПИТАНИЯ.

ВНИМАНИЕ! КОГДА ОБОГРЕВАТЕЛЬ УПРАВЛЯЕТСЯ ПОСРЕДСТВОМ ТЕРМОСТАТА ПОМЕЩЕНИЯ (ОПЦИЯ), ЕГО ВЫКЛЮЧЕНИЕ И ВКЛЮЧЕНИЕ ОСУЩЕСТВЛЯЕТСЯ АВТОМАТИЧЕСКИ.

Снять крышку, соединенную с обогревателем, и подключить термостат помещения (опция) (С Рис. 3).

►► 7. ОЧИСТКА ТОПЛИВНОГО ФИЛЬТРА

См. Рис. 4

В ЗАВИСИМОСТИ ОТ КАЧЕСТВА ИСПОЛЬЗУЕМОГО ТОПЛИВА МОЖЕТ ВОЗНИКНУТЬ НЕОБХОДИМОСТЬ В ОЧИСТКЕ ФИЛЬТРА.

- 7.1. Достать пробку из бака (А Рис. 4).
- 7.2. Достать фильтр из бака.
- 7.3. Отвинтить гайку (В Рис. 4).
- 7.4. Достать фильтр (С Рис. 4).
- 7.5. Очистить фильтр чистым топливом, действуя осторожно, чтобы не повредить его.
- 7.6. Установить фильтр на место в бак.

►► 8. ХРАНЕНИЕ И ТРАНСПОРТИРОВКА

ДЛЯ НАИЛУЧШЕГО ХРАНЕНИЯ ОБОГРЕВАТЕЛЯ РЕКОМЕНДУЕТСЯ ВЫПОЛНИТЬ СЛЕДУЮЩИЙ ПОРЯДОК ДЕЙСТВИЙ:

- 8.1. Слить топливо из бака.
- 8.2. Если заметно наличие остатков, залить в бак чистое топливо и снова слить его.
- 8.3. Закрыть пробку бака и утилизировать топливо должным образом, в соответствии с действующими нормами.
- 8.4. В целях наилучшей сохранности обогревателя рекомендуется поддерживать его в выровненном положении во избежание вытекания топлива и хранить его в сухом месте, защищенном от возможного вредного воздействия наружных факторов.

►► 9. ОШИБКИ ДИСПЛЕЯ

См. В Рис. 3

ОШИБКА	ПРИЧИНА	РЕШЕНИЕ
ОПЕРАЦИОННАЯ ОШИБКА		
F0	1. Выключатель "ON/OFF" находится в позиции "ON" (I) когда генератор подключен к электрической сети	1. После отключения генератора от электрической сети установить выключатель в позицию "OFF" (0), повторно подключить штепсель к электрической сети и поместить выключатель в позицию "ON" (I)
ОШИБКА ФОТОЭЛЕМЕНТА		
F1	1. Отсутствие топлива 2. Загрязненное топливо 3. Загрязненный или поврежденный фотоэлемент 4. Фильтр топлива загрязнен 5. Ошибка воспламенения	1. Установить выключатель в позицию "OFF" (0), наполнить бак топливом 2. Установить выключатель в позицию "OFF" (0), опорожнить, а затем повторно наполнить бак топливом. Очистить фильтр чистым топливом, обращая внимание на то, чтобы его не повредить (СМ. ПАРАГРАФ 6) 3. Обратиться в центр технического обслуживания 4. СМ. ПАРАГРАФ 6 5. Обратиться в центр технического обслуживания
ОШИБКА ДАТЧИКА КОНТРОЛЯ ТЕМПЕРАТУРЫ		
F2	1. Обрыв провода 2. Поврежденный датчик	1. Обратиться в центр технического обслуживания 2. Обратиться в центр технического обслуживания
ОШИБКА ТЕРМОСТАТА		
F3	1. Внутреннее перегревание генератора 2. Датчик против опрокидывания	1. Выключить генератор, подождать до его полного охлаждения 2. Установить нагреватель на ровную и устойчивую поверхность
НЕПОДХОДЯЩЕЕ НАПРЯЖЕНИЕ		
F4	1. неподходящее напряжение	1. Проверить правильность напряжения вашей установки
ТРИ НЕУДАЧНЫЕ ПОПЫТКИ ЗАЖИГАНИЯ		
FF	1. Отсутствие топлива 2. Загрязнен топливный фильтр 3. Загрязнен или неисправен фотоэлемент 4. Загрязнена или неисправна форсунка 5. Срабатывание противонаклонного датчика	1. Обратиться в центр технического обслуживания 2. Обратиться в центр технического обслуживания 3. Обратиться в центр технического обслуживания 4. Обратиться в центр технического обслуживания 5. Обратиться в центр технического обслуживания
АККУМУЛЯТОР РАЗРЯЖЕН		
PF	1. Аккумулятор разряжен	1. Зарядить аккумулятор
ОБОГРЕВАТЕЛЬ В РЕЖИМЕ ОЖИДАНИЯ		
[]	1. Термостат подключен 2. Переход от кабельного электропитания на питание от аккумулятора	1. На термостате установлена температура ниже температуры в помещении 2. Автоматическое включение

►► 10. ГРАФИК ПРОФИЛАКТИКИ

ВНИМАНИЕ: ПЕРЕД НАЧАЛОМ КАКОГО-ЛИБО ДЕЙСТВИЯ ПО ПРОФИЛАКТИКЕ ИЛИ РЕМОНТА, ОТКЛЮЧИТЬ ПИТАЮЩИЙ КАБЕЛЬ ОТ ЭЛЕКТРИЧЕСКОЙ СЕТИ И УБЕДИТЬСЯ, ЧТО ГЕНЕРАТОР ХОЛОДНЫЙ.

ПРИ ИСПОЛЬЗОВАНИИ ОБОГРЕВАТЕЛЯ В ОСОБО ЗАПЫЛЕННЫХ ПОМЕЩЕНИЯХ, НЕОБХОДИМО БОЛЕЕ ЧАСТО ВЫПОЛНЯТЬ ОЧИСТКУ И ТЕХОБСЛУЖИВАНИЕ.

ЭЛЕМЕНТ	ЧАСТОТА ПРОФИЛАКТИКИ	ПРОЦЕДУРА ПРОФИЛАКТИКИ
Топливный бак	Чистить раз на 150-200 часов работы или по необходимости	Опорожнить и промыть бак, используя для этого чистое топливо
Сопло	Очистить или заменить один раз во время одного сезона работы или в зависимости от нужд	Обратиться в центр технического обслуживания
Фотоэлемент	Очистить один раз во время сезона работы или в зависимости от нужд	Обратиться в центр технического обслуживания
Топливный фильтр	Очистить или заменить два раза во время одного сезона работы или в зависимости от нужд	Очистить топливный фильтр, используя для этого чистое топливо
Зажигательное устройство	Чистить или заменять раз на 1.000 часов работы или по необходимости	Обратиться в центр технического обслуживания
Лопастя ротора	Очистить по необходимости	Обратиться в центр технического обслуживания

ru

►► 11. ИДЕНТИФИКАЦИЯ ПРОБЛЕМЫ

ПРОБЛЕМА	ВОЗМОЖНАЯ ПРИЧИНА	ВОЗМОЖНОЕ РЕШЕНИЕ
Генератор не включается	<ol style="list-style-type: none"> 1. Заблокирован генератор 2. Выключатель находится в позиции "OFF" (0) 3. Отсутствие напряжения 4. Отключен питающий кабель 5. Заблокирована карта управления 6. Ошибочная установка комнатного термостата 7. Вмешательство датчика температуры 8. Поврежденный предохранитель 	<ol style="list-style-type: none"> 1. Выключить и повторно включить генератор 2. Выключатель установить в позицию "ON" (I) 3A. Ввести правильно питающий кабель в электрическую розетку 3B. Проверить сетевую проводку 3C. Обратиться в центр технического обслуживания 3D. Аккумулятор разряжен 4. Обратиться в центр технического обслуживания 5A. Выключить и повторно включить генератор 5B. Определить ошибку на дисплее 5C. Обратиться в центр технического обслуживания 6. Отрегулировать комнатный термостат, устанавливая его в температуре выше, чем температура рабочей среды 7A. Подождать, по крайней мере, десять минут, а затем повторно попробовать перейти к фазе зажигания 7B. Обратиться в центр технического обслуживания 8. Обратиться в центр технического обслуживания
Двигатель/насос включается, но пламя не загорается	<ol style="list-style-type: none"> 1. Отсутствие топлива 2. Зажигательное устройство загрязнено 3. Загрязнен топливный фильтр 4. Загрязненное сопло 5. Фотоэлемент загрязнен, поврежден или был неправильно установлен 6. Наличие инородного вещества в баке 7. Изношенные электроды или установленные на ошибочном расстоянии 	<ol style="list-style-type: none"> 1. Выключить генератор, наполнить бак топливом и снова включить генератор 2. Обратиться в центр технического обслуживания 3. Очистить фильтр, используя чистое топливо 4. Обратиться в центр технического обслуживания 5. Обратиться в центр технического обслуживания 6. Опорожнить и снова наполнить резервуар чистым топливом 7. Обратиться в центр технического обслуживания
Ротор заблокирован или вращается слишком медленно	<ol style="list-style-type: none"> 1. Поврежденный двигатель 	<ol style="list-style-type: none"> 1. Обратиться в центр технического обслуживания

DŮLEŽITÉ: PŘED ZAHÁJENÍM MONTÁŽE, ÚDRŽBY A PŘED SPUŠTĚNÍM GENERÁTORU SI POZORNĚ PŘEČTĚTE TENTO NÁVOD. NESPRÁVNÉ POUŽÍVÁNÍ GENERÁTORU MŮŽE ZPŮSOBIT VÁŽNÝ ÚRAZ. TENTO NÁVOD USCHOVEJTE PRO PŘÍPAD POZDĚJŠÍHO NAHLÉDNUTÍ.

►► 1. INFORMACE O BEZPEČNOSTI (UPOZORNĚNÍ)



DŮLEŽITÉ: Tento ohřívač vzduchu byl navržen pro mobilní a dočasné profesionální využití. Produkt nebyl navržen pro domácí využití, či zajištění tepelného komfortu osob.



DŮLEŽITÉ: Tento spotřebič není určen pro používání osobami (včetně dětí) se sníženými fyzickými, smyslovými nebo duševními schopnostmi, nebo nezkoušenými osobami, pokud nejsou pod dohledem osoby odpovědné za jejich bezpečnost. Děti musí být pod dozorem, aby se zajistilo, že si nebudou s přístrojem hrát.



NEBEZPEČÍ: Udušení kyslíčnickem uhelnatým může být fatální.

První příznaky udušení oxidem uhelnatým se podobají chřipce, s bolestmi hlavy, závratěmi a/nebo nevolností. Tyto příznaky mohou být způsobeny nesprávným fungováním ohřívače. V PŘÍPADĚ VÝSKYTU TĚCHTO PŘÍZNAKŮ OKAMŽITĚ VYJDETE VEN Z MÍSTNOSTI a nechte opravit ohřívač v technickém servisním středisku.

1.1. PLNĚNÍ:

- 1.1.1. Pracovníci odpovědní za čerpání pohonných hmot musí být kvalifikovaní a plně obeznámeni s pokyny výrobce a platnými předpisy, které se vztahují k bezpečnosti zásobování topných těles.
- 1.1.2. Používejte pouze typ paliva výslovně uvedený na typovém štítku ohřívače.
- 1.1.3. Před doplňováním paliva vypněte ohřívač a nechte ho vychladnout.
- 1.1.4. Nádrže pro skladování paliva musí být umístěny v samostatném objektu.
- 1.1.5. Všechny palivové nádrže musí být v minimální bezpečné vzdálenosti od ohřívače, v souladu s platnými normami.
- 1.1.6. Palivo musí být skladováno v místnostech, kterých podlaha neumožňuje průnik a musí být zamezeno kapání paliva na plameny, které mohou způsobit jeho vznícení.
- 1.1.7. Skladování paliva musí být prováděno v souladu s místními předpisy.

1.2. BEZPEČNOST:

- 1.2.1. Nikdy nepoužívejte ohřívač v místnosti, ve které se vyskytuje benzín, ředidla nebo jiné vysoce hořlavé výpary.
- 1.2.2. Během používání přístroje dodržujte všechny místní předpisy a platné normy.
- 1.2.3. Ohřívače používané v blízkosti plachet, stanů a jiných podobných krycích materiálů musí být umístěny v bezpečné vzdálenosti od nich. Doporučuje se používat ohnivzdorné krycí materiály.
- 1.2.4. Používejte pouze v dobře větraných prostorách. Postarejte se o zabezpečení adekvátního otvoru, v souladu s předpisy, pro přívod čerstvého vzduchu z vnějšího prostředí.
- 1.2.5. Napájejte ohřívač pouze proudem s napětím a frekvencí, jak je uvedeno na typovém štítku ohřívače.
- 1.2.6. Používejte pouze tří vodičové uzemněné prodlužovačky.

- 1.2.7. Minimální doporučené bezpečné vzdálenosti mezi ohřívačem a hořlavými látkami jsou: přední výstup = 2,5 m (8 stop) boční, horní a zadní = 1,5 m (5 stop).
- 1.2.8. Umístěte teplý ohřívač, nebo ohřívač v provozu na pevný a rovný povrch, aby se zabránilo nebezpečí vzniku požáru.
- 1.2.9. Udržujte domácí zvířata v bezpečné vzdálenosti od ohřívače.
- 1.2.10. Odpojte napájení nebo baterii z ohřívače, pokud jej nepoužíváte.
- 1.2.11. Pokud je ohřívač řízen termostatem, může se kdykoliv zapnout.
- 1.2.12. Nikdy nepoužívejte ohřívač v často obývaných místnostech, ani v ložnicích.
- 1.2.13. Když je ohřívač teplý, zapojený do elektrické sítě, napájen baterií nebo v provozu, nesmí být nikdy přemisťován, manévrován, doplňován nebo podrobován jakékoliv údržbě.
- 1.2.14. Dodržujte bezpečnou vzdálenost horkých částí ohřívače od hořlavých nebo termolabilních materiálů (včetně napájecího kabelu).
- 1.2.15. Pokud by došlo k poškození napájecího kabelu nebo baterie, musí být vyměněny technickým servisním střediskem, aby se zabránilo jakémukoli riziku (zlikvidujte poškozené zařízení podle platných předpisů).
- 1.2.16. Ujistěte se, že ohřívač je vypnutý před připojením napájecího kabelu a/nebo vložením dobíjecí baterie, aby se zabránilo každému nebezpečí.
- 1.2.17. Používejte pouze a výhradně originální dobíjecí baterie. Použití nesprávných dobíjecích baterií může způsobit škody nebo ohrožení života osob, zranění, popáleniny, výbuchy, elektrické šoky nebo otravy.
- 1.2.18. Zachovávejte adekvátní bezpečnou vzdálenost mezi odpojenou dobíjecí baterií a kancelářskými klipy, mincemi, klíči, hřebíky, šrouby nebo dalšími drobnými kovovými předměty, které by mohly způsobit zkrat. Zkrat mezi kontakty dobíjecí baterie může způsobit škody nebo ohrožení života osob, zranění, popáleniny, výbuchy, atd.
- 1.2.19. Nesprávné použití dobíjecí baterie může způsobit únik kapaliny z baterie. Vyhněte se kontaktu. V případě náhodného kontaktu důkladně opláchněte vodou. Okamžitě vyhledejte lékařskou pomoc, pokud se kapalina dostane do kontaktu s očima. Unikající kapalina z dobíjecí baterie může způsobit podráždění pokožky nebo popáleniny.
- 1.2.20. Nesprávné použití dobíjecí baterie může způsobit únik výparů z baterie. Vyhněte se vdechování těchto výparů. Zajistěte přívod čerstvého vzduchu v případě náhodného vdechnutí a navštivte lékaře při obtížích. Páry mohou dráždit dýchací cesty.
- 1.2.21. Aby se předešlo vážným rizikům nesnažte se dobíjecí baterii otevírat/rozebírat.
- 1.2.22. Aby se předešlo vážným rizikům chraňte dobíjecí baterii před teplem (například dlouhodobé sluneční záření, oheň, voda, vlhkost, atd.).
- 1.2.23. Používejte specifickou dobíjecí baterii pouze s tímto ohřívačem, aby se zabránilo nebezpečným přetížením.
- 1.2.24. Používejte pouze originální dobíjecí baterie s napětím uvedeným na typovém štítku ohřívače. V případě použití jiných dobíjecích baterií (například imitace baterií,

regenerované baterie, baterie jiných výrobců, atd.) existuje nebezpečí úrazu a/nebo výbuchu.

- ▶ 1.2.25. Nabíjejte dobíjecí baterii pouze a výhradně s originálními nabíječkami baterií. Každá baterie potřebuje specifickou nabíječku baterie, aby se zabránilo nebezpečí vzniku požáru a výbuchu.
- ▶ 1.2.26. Používejte pouze napájecí zdroj uvedený v této příručce. Je zakázáno měnit režim napájení s ohříváčem v provozu, aby se zabránilo vážným škodám.
- ▶ 1.2.27. Když je ohříváč ovládán termostatem nebo je přepnut z napájecího zdroje do napájení baterií, ohříváč se může vypnout a vstoupit do pohotovostního režimu (na displeji se objeví zpráva „[]“), dávejte pozor, protože ohříváč se může kdykoli automaticky zapnout a způsobit vážné poškození věcí a osob.

▶▶ 2. VYBALENÍ

Viz Obr. 1

- ▶ 2.1. Odstranit všechny materiály, které byly použity pro zabalení a dodání ohříváče a likvidovat je podle platných předpisů.
- ▶ 2.2. Z obalu vyjměte všechny díly.
- ▶ 2.3. Zkontrolujte, zda nedošlo k poškození během přepravy. Zdá-li se ohříváč poškozený, okamžitě informujte prodejce, u kterého byl zakoupen.

▶▶ 3. POPIS VÝROBKŮ

▶ 3.1. NAPÁJECÍ KABEL (je-li k dispozici):

NAPÁJECÍ KABEL NEPLNÍ FUNKCI NABÍJEČKY BATERIE.

(Obr. 5) Ohříváč může pracovat připojen k elektrické síti pomocí napájecího kabelu. Pravidelně kontrolujte stav napájecího kabelu, aby nedošlo k vážnému poškození. Dodržujte všechna upozornění týkající se napájecího kabelu uvedené v této příručce.

▶ 3.2. BATERIE (je-li k dispozici):

(Obr. 6)

POZNÁMKY: V ZÁVISLOSTI NA KAPACITĚ BATERIE (MĚŘENÉ V Ah) JE NUTNÉ POUŽÍVAT ORIGINÁLNÍ NABÍJEČKU BATERIE S ADEKVÁTNÍM VÝKONEM.

Ohříváč může pracovat samostatně s originální dobíjecí baterií Li-ion, aniž by musel být zapojen do elektrické sítě. Dobíjecí baterie je dodávána částečně nabitá a z tohoto důvodu se doporučuje provést úplný cyklus nabití před jejím použitím. Používejte pouze originální dobíjecí baterie pro napájení tohoto ohříváče. Dbejte na všechna upozornění vztahující se k baterii, jak je popsáno v tomto návodu.

▶ 3.3. NABÍJEČKA BATERIE (je-li k dispozici):

(Obr. 7) Nabíječka baterií je určena pro nabíjení originálních lithium-iontových baterií. Musí být dodrženy provozní parametry nabíječky baterie (viz typový štítek na nabíječce). Používejte nabíječku baterie na zcela suchých místech, chráněných před prachem pro nabíjení pouze originálních dobíjecích baterií, používaných k napájení tohoto ohříváče. Nabíječka baterie je určena k automatickému řízení správného nabíjecího cyklu, když je připojena dobíjecí baterie (Obr. 8). Světelný indikátor umístěn na nabíječce umožňuje mít podrobnou diagnostiku během fáze vyhledávání (Obr. 9). Dbejte na všechna upozornění v tomto návodu, vztahující se na dodanou nabíječku baterie.

▶▶ 4. PALIVO

UPOZORNĚNÍ: Ohříváč pracuje pouze s naftou nebo petrolejem.

Používejte pouze naftu nebo petrolej, aby se zabránilo nebezpečí vzniku požáru nebo výbuchu. Nikdy nepoužívejte benzin, surovou naftu (ropu), ředidla pro barvy, alkohol a jiné palivové vysoce vznětlivé látky.

Používejte netoxické přísady proti zmrznutí v případě velmi nízkých teplot.

▶▶ 5. PRINCIP FUNKOVÁNÍ

Viz Obr. 2

Vzduch potřebný k zajištění správného spalování je generován otáčením vnitřního ventilátoru uvnitř hořáku. Průtok vzduchu vychází z výfukového potrubí hořáku a mísí se s palivem, které je stříkáno tryskou při vysokém tlaku. Přívod paliva nastříkaného tryskami je zajišťován elektrickým čerpadlem, které nasává palivo z nádrže a tlačí ho při vysokém tlaku do trysky.

▶▶ 6. PROVOZ

UPOZORNĚNÍ: Před zapnutím ohříváče si pozorně přečtete „INFORMACE O BEZPEČNOSTI“.

DŮLEŽITÉ: Po prvním neúspěšném zapnutí ohříváče zkontrolujte přítomnost paliva v nádrži, zkontrolujte, zda je palivový filtr čistý a zda je ohříváč umístěn na rovném a stabilním povrchu.

DŮLEŽITÉ: Toto zařízení je infračervený ohříváč. Ohřívá předměty, nikoli vzduch.

DŮLEŽITÉ: Chcete-li změnit typ napájecího zdroje z baterie na kabel a obráceně, vypněte ohříváč a pečlivě dodržujte všechny postupy, aby nedošlo k vážnému poškození.

▶ 6.1. ZAPNUTÍ OHŘÍVAČE:

- ▶ 6.1.1. Dodržujte všechny bezpečnostní pokyny.
- ▶ 6.1.2. Zkontrolujte přítomnost paliva v nádrži.
- ▶ 6.1.3. Zavřete víčko nádrže.
- ▶ 6.1.4. Zapojte napájecí zástrčku do elektrické sítě nebo nabíte baterie (VIZ NAPĚTÍ V „TABULCE TECHNICKÝCH ÚDAJŮ“) (Obr. 10-11).
- ▶ 6.1.5. Hlavní vypínač „ZAP/VYP“ otočte do polohy „ZAP“ (I) (A Obr. 3). Ohříváč by se měl zapnout během několika vteřin. Pokud se ohříváč nespustí, přečtete si odstavec pro nalezení problému (Odst. 10).

POZN.: V PŘÍPADĚ VYPNUTÍ OHŘÍVAČE V DŮSLEDKU VYČERPÁNÍ PALIVA OHŘÍVAČ VYPNĚTE, DOPLŇTE PALIVO A ZNOVU OHŘÍVAČ ZAPNĚTE (VIZ Odst. 5.1.).

▶ 6.2. VYPNUTÍ OHŘÍVAČE:

POZOR: NEODPOJUJTE NAPĚTÍ NEBO NEODPOJUJTE NAPÁJECÍ KABEL NEBO NEODSTRAŇUJTE BATERII AŽ DO ÚPLNÉHO VYCHLAZENÍ OHŘÍVAČE (asi 5 minut).

- ▶ 6.2.1. Hlavní vypínač „ZAP/VYP“ otočte do polohy „VYP“ (0) (A Obr. 3).

► 6.3. PŘIPOJENÍ POKOJOVÉHO TERMOSTATU (volitelný):

POZOR: POKOJOVÝ TERMOSTAT (VOLITELNÝ) FUNGUJE POUZE TEHDY, JE-LI OHŘÍVAČ NAPÁJEN PŘES NAPÁJECÍ KABEL.

POZOR: KDYŽ JE OHŘÍVAČ ŘÍZEN POKOJOVÝM TERMOSTATEM (VOLITELNÝ), VYPNUTÍ A OPĚTOVNÉ ZAPNUTÍ OHŘÍVAČE JE AUTOMATICKÉ.

Vyjměte konektor připojený k ohřívачi a připojte pokojový termostat (volitelný) (C Obr. 3).

►► 7. ČIŠTĚNÍ PALIVOVÉHO FILTRU

Viz Obr. 4

V ZÁVISLOSTI OD MNOŽSTVÍ POUŽITÉHO PALIVA MŮŽE BÝT NEZBYTNÉ ČIŠTĚNÍ FILTRU.

- 7.1. Odstraňte víčko na nádrži (A Obr. 4).
- 7.2. Vyjměte filtr z nádrže.
- 7.3. Vyšroubujte matici (B Obr. 4).
- 7.4. Vyjměte filtr (C Obr. 4).
- 7.5. Filtr vyčistěte čistým palivem, dbejte na to, aby nedošlo k jeho poškození.
- 7.6. Znovu namontujte filtr do nádrže.

►► 8. SKLADOVÁNÍ A PŘEPRAVA
PRO CO NEJLEPŠÍ UCHOVÁNÍ A PŘEPRAVU OHŘÍVAČE SE DOPORUČUJE DODRŽOVAT NÁSLEDUJÍCÍ POSTUP:

- 8.1. Vyprázdněte palivo z nádrže.
- 8.2. Pokud si všimnete přítomnosti zbytků, nalijte čisté palivo do nádrže a znovu vypusťte.
- 8.3. Zavřete víčko nádrže a zlikvidujte použité palivo odpovídajícím způsobem podle platných norem.
- 8.4. Pro co nejlepší uchování ohřívачe se doporučuje udržovat jej ve vyvážené poloze, aby nedocházelo k eventuelním únikům paliva, uschovávejte jej na suchém místě, chráněném před možnými vnějšími vlivy.

CS

►► 9. CHYBY NA DISPLEJI

Viz B Obr. 3

CHYBA	PŘÍČINA	ŘEŠENÍ
PROVOZNÍ CHYBA		
F0	1. Vypínač "ON/OFF" je v poloze "ON" (I) když je generátor připojen k elektrické síti	1. Po vypojení generátoru z elektrické zásuvky přepněte vypínač do polohy "OFF" (0), generátor opět zapojte do zásuvky a vypínač přepněte do polohy "ON" (I)
CHYBA FOTOBUŇKY		
F1	1. Žádné palivo 2. Palivo je znečištěno 3. Fotobuňka je znečištěna nebo poškozena 4. Palivový filtr je znečištěn 5. Chyba zapálení	1. Vypínač přepněte do polohy "OFF" (0) a doplňte palivo do nádrže 2. Vypínač přepněte do polohy "OFF" (0) vypusťte nádrž a pak ji opět naplňte palivem. Vyčistěte filtr čistým palivem a dávejte pozor, abyste jej nepoškodili (VIZ PARAGRAF 6) 3. Obraťte se na technický servis 4. VIZ PARAGRAF 6 5. Obraťte se na technický servis
CHYBA TEPLOTNÍHO SNÍMAČE		
F2	1. Kabel přerušen 2. Poškozený snímač	1. Obraťte se na technický servis 2. Obraťte se na technický servis
CHYBA TERMOSTATU		
F3	1. Vnitřní přehřátí generátoru 2. Senzor proti překlopení	1. Vypněte generátor a počkejte na jeho úplné vychladnutí 2. Umístěte kamna na rovný a stabilní povrch
NAPĚTÍ NENÍ VHDNÉ		
F4	1. Napětí není vhodné	1. Zkontrolujte správné napětí vašeho zařízení
CHYBĚJÍCÍ ZAPNUTÍ PO TŘECH POKUSECH		
FF	1. Nedostatek paliva 2. Palivový filtr špinavý 3. Fotobuňka špinavá nebo vadná 4. Tryska špinavá nebo vadná 5. Zásah senzoru antitilting	1. Obraťte se na technický servis 2. Obraťte se na technický servis 3. Obraťte se na technický servis 4. Obraťte se na technický servis 5. Obraťte se na technický servis
VYBITÁ BATERIE		
PF	1. Baterie je vybitá	1. Dobijte baterii
OHŘÍVAČ V POKOJOVOSTNÍM REŽIMU		
[]	1. Připojený termostat 2. Přepnutí z napájení přes kabel na baterii	1. Teplota termostatu nastavena pod pokojovou teplotu 2. Automatické restartování

►► 10. HARMONOGRAM PREVENTIVNÍ ÚDRŽBY

POZOR: PŘED ZAHÁJENÍM JAKÉKOLI ČINNOSTI SOUVISEJÍCÍ S ÚDRŽBOU NEBO OPRAVAMI VYPOJTE NAPÁJECÍ KABEL Z ELEKTRICKÉ ZÁSUVKY A UJISTĚTE SE, ŽE JE GENERÁTOR STUDENÝ.

POKUD JE OHŘÍVAČ POUŽÍVÁN V OBZVLÁŠTĚ PRAŠNÉM PROSTŘEDÍ, VYŽADUJE SE ČASTĚJŠÍ ÚDRŽBA A ČIŠTĚNÍ.


ELEMENT	ČETNOST ÚDRŽBY	POSTUP ÚDRŽBY
Palivová nádrž	Čistit po každých 150-200 hodinách provozu dle potřeby	Vyprázdnit a vypláchnout nádrž čistým palivem
Tryska	Vyčistit nebo vyměnit jednou za jednu provozní sezónu nebo podle potřeby	Obraťte se na technický servis
Fotobuňka	Vyčistit jednou za jednu provozní sezónu nebo podle potřeby	Obraťte se na technický servis
Palivový filtr	Vyčistit nebo vyměnit dvakrát za jednu provozní sezónu nebo podle potřeby	Vyčistit filtr čistým palivem
Zážehové zařízení	Čistit nebo měnit po každých 1.000 hodinách provozu nebo podle potřeby	Obraťte se na technický servis
Lopatky rotoru	Čistit podle potřeby	Obraťte se na technický servis


►► 11. ŘEŠENÍ PROBLÉMU

PROBLÉM	MOŽNÁ PŘÍČINA	MOŽNÉ ŘEŠENÍ
Generátor nelze spustit	<ol style="list-style-type: none"> Zablokovaný generátor Vypínač se nachází v poloze "OFF" (0) Žádné napětí Odpojený napájecí kabel Zablokovaná řídicí karta Špatné nastavení pokojového termostatu Zásah do teplotního snímače Poškozená pojistka 	<ol style="list-style-type: none"> Vypněte a opětovně zapněte generátor Vypínač přepněte do polohy "ON" (I) 3A. Napájecí kabel správně zapojte do elektrické zásuvky 3B. Zkontrolujte proud v elektrické síti 3C. Obraťte se na technický servis 3D. Baterie je vybitá 4. Obraťte se na technický servis 5A. Vypněte a opětovně zapněte generátor 5B. Identifikujte chybu na displeji 5C. Obraťte se na technický servis 6. Seřídte pokojový termostat - nastavte ho na teplotu vyšší než je teplota na pracovišti 7A. Vyčkejte alespoň deset minut a poté znovu zkuste přejít k fázi zapalování 7B. Obraťte se na technický servis 8. Obraťte se na technický servis
Motor/čerpadlo je spuštěno, ale nedochází k zapálení	<ol style="list-style-type: none"> Žádné palivo Zážehové zařízení je znečištěno Palivový filtr je znečištěn Znečištěná tryska Fotobuňka je znečištěna, poškozena nebo nebyla správně nainstalována Cizí látky v nádrži Opotřebené elektrody nebo nastavené ve špatné vzdálenosti 	<ol style="list-style-type: none"> Vypněte generátor, naplňte nádrž palivem a opětovně jej zapněte Obraťte se na technický servis Vyčistěte filtr pomocí čistého paliva Obraťte se na technický servis Obraťte se na technický servis Vyprázdněte nádrž a opět ji naplňte čistým palivem Obraťte se na technický servis
Rotor je zablokovaný nebo se otáčí příliš pomalu	<ol style="list-style-type: none"> Poškozený motor 	<ol style="list-style-type: none"> Obraťte se na technický servis

FONTOS: OLVASSA EL AZ ALÁBBI UTASÍTÁST A GENERÁTOR ÖSSZESZERELÉSE, BEINDÍTÁSA VAGY KARBANTARTÁSA ELŐTT. A GENERÁTOR HELYTELEN MŰKÖDTETÉSE KOMOLY SÉRÜLÉSEKET OKOZHAT. TEGYE EL AZ ALÁBBI UTASÍTÁST A KÉSŐBBI HASZNÁLATA ÉRDEKÉBEN.

►► 1. BIZTONSÁGI SZABÁLYOK (FIGYELMEZTETÉSEK)

 **FONTOS: A léghevítőt kizárólag mobil, ideiglenes szakipari alkalmazásokban történő felhasználásra tervezték. A termék nem alkalmas háztartási használatra illetve személyi kényelem biztosítására.**

 **FONTOS: A készüléket csökkent értelmi, fizikai képességű vagy megfelelő tapasztalattal nem rendelkező személyek (beleértve a gyermekeket is) nem használhatják, kivéve, ha biztonságukról gondosodik egy a készülék használatát felügyelő személy. A gyermekeknek ne engedje, hogy játsszanak a készülékkel.**

 **VESZÉLY: A szénmonoxid mérgezés halálos kimenetelű lehet.**

A szén-monoxid mérgezés első jelei hasonlítanak az influenza tüneteire: fejfájás, szédülés és/vagy hányinger. Ezen tüneteket a melegítő meghibásodása okozhatja. **AMENNYI-BEN EZEKET A TÜNETEKET ÉSZLELI, AZONNAL MENJEN KI A SZABAD LEVEGŐRE**, és javíttassa meg a melegítőt a műszaki szervizszolgálattal.

1.1. FELTÖLTÉS:

- 1.1.1. A léghevítő feltöltését a gyártói utasítások és a léghevítő feltöltésének biztonságos feltöltésére vonatkozó érvényben lévő szabályok teljes ismeretében lévő szakember végezheti.
- 1.1.2. Kizárólag a melegítő azonosító tábláján lévő tüzelőanyagot használja.
- 1.1.3. A feltöltés előtt kapcsolja le a melegítőt, majd várja meg míg kihűl.
- 1.1.4. A fűtőanyag tárolóknak elkülönített szerkezetben kell lenniük.
- 1.1.5. Az érvényben lévő szabályoknak megfelelően a fűtőanyag tartályoknak a minimális biztonsági távolságra kell lenniük a melegítőktől.
- 1.1.6. A fűtőanyagot olyan helyen tárolja, ahol a padlózat nem teszi lehetővé a penetrációt és a fűtőanyag cseppek nem okoznak öngyulladását.
- 1.1.7. A fűtőanyag tárolását az érvényben lévő szabályoknak megfelelően kell végezni.

1.2. BIZTONSÁG:

- 1.2.1. Soha ne használja a melegítőt olyan helyiségben, ahol benzint, hígítót tárol, vagy egyéb gyúlékony gőz keletkezhet.
- 1.2.2. A melegítő használata során tartsa be a helyi előírásokat és a vonatkozó szabványokat.
- 1.2.3. Ha a léghevítőt ponyvák, vásznak vagy egyéb takaró anyagok közelében használja, tartson megfelelő biztonsági távolságot. Azt tanácsoljuk, használjon tűzálló takaróponyvákat.
- 1.2.4. A léghevítőt kizárólag jól szellőző helyen használja. Biztosítson az érvényben lévő szabályoknak megfelelően tág teret friss levegő beengedésére.
- 1.2.5. A melegítőt kizárólag olyan hálózatra csatlakoztassa, amelynek feszültsége és frekvenciája megegyezik a készülék azonosító adattábláján feltüntetett frekvencia és feszültség adatokkal.
- 1.2.6. Kizárólag háromeres megfelelően földelt hosszabítók használhatók.

- 1.2.7. A minimum ajánlott biztonsági távolság a melegítő és a gyúlékony anyagok között: elülső kimenetnél = 2,5 m (8 láb); oldalsó, felső és hátsó távolság = 1,5 m (5 láb).
- 1.2.8. A tűzveszély elkerülése érdekében helyezze a meleg vagy még működő melegítőt egy stabil vízszintes felületre.
- 1.2.9. Az állatokat tartsa a melegítőtől biztonságos távolságban.
- 1.2.10. Amikor a melegítőt nem használja, húzza ki a csatlakozót vagy vegye ki az akkumulátort.
- 1.2.11. Amikor a melegítőt termosztát vezérli, az bármikor bekapcsolhat.
- 1.2.12. Ne használja a melegítőt gyakran látogatott helyeken, és hálószobákban.
- 1.2.13. Ne helyezze át, ne töltsen fel a melegítőt, és ne végezzen rajta karbantartási munkálatokat illetve egyéb beavatkozásokat, ha meleg, csatlakoztatva van az elektromos hálózatba vagy az akkumulátorhoz.
- 1.2.14. A készülék forró részeit tartsa gyúlékony vagy hőre lágyuló anyagoktól (a tápvezetékét beleértve) biztonságos távolságra.
- 1.2.15. Ha a tápvezeték vagy az akkumulátor sérült, a kockázatok elkerülése érdekében forduljon a vevőszolgálathoz és kérje az érintett alkatrészek cseréjét. (Gondoskodjon a használhatatlanná vált alkatrészek törvényi előírásoknak megfelelő cseréjéről).
- 1.2.16. A kockázatok elkerülése érdekében, mielőtt a csatlakozót csatlakoztatná az elektromos hálózatba és/vagy az újratölthető akkumulátort behelyezné, ellenőrizze, hogy a melegítő ki van-e kapcsolva.
- 1.2.17. Kizárólag eredeti, és előírt típusú újratölthető akkumulátorokat használjon. A léghevítő nem rendeltetésszerű használata személyi sérülést vagy életveszélyt, égési sérülést, robbanást, áramütést, mérgezést okozhat.
- 1.2.18. Tartson az újratölthető akkumulátortól megfelelő távolságra minden kapcsolót, pénzt, kulcsot, szeget, csavart vagy más kis fém tárgyat, melyek rövidzárlatot okozhatnak. Az újratölthető akkumulátor érintkezői közötti rövidzárlat személyi sérülést, életveszélyt, égési sérülést, robbanást, stb. okozhat.
- 1.2.19. Az újratölthető akkumulátor hibás alkalmazása az akkumulátor folyadék szivárgását okozhatja. Kerülje a folyadékkal való érintkezést. Amennyiben véletlenül érintkezik a folyadékkal, öblítse le gondosan testrészét vízzel. Ha a folyadék a szemébe került, forduljon azonnal orvoshoz. Az újratölthető akkumulátorból kifolyt folyadék bőrirritációt vagy égési sérülést okozhat.
- 1.2.20. Az újratölthető akkumulátor hibás használata az akkumulátorgőz szivárgását okozhatja. A gőzt belélegezni szigorúan tilos. Ha a gőzt véletlenül belélegezte, szelőlöttesen, és forduljon azonnal orvoshoz. A gőz irritálhatja a légutakat.
- 1.2.21. Súlyos sérülések elkerülése érdekében ne próbálja meg kinyitni/szétszerelni az újratölthető akkumulátort.
- 1.2.22. Súlyos sérülések elkerülése érdekében tartsa távol az újratölthető akkumulátort a hőforrásoktól (például folyamatos napfénytől, tűztől, víztől, nedvességtől, stb.).
- 1.2.23. A speciális újratölthető akkumulátort kizárólag ezzel a melegítővel használja, így elkerülheti a veszélyes túltöltést.
- 1.2.24. Kizárólag a melegítő műszaki adatait tartalmazó adattáblán jelzett feszültségnek megfelelő eredeti újratölthető akkumulátorokat használja. Az ettől eltérő újratölthető akkumulátorok alkalmazása (például utángyártó

tt akkumulátorok, újragenerált akkumulátorok, stb.) sérülést és/vagy robbanást okozhat.

- ▶ 1.2.25. Az újratölthető akkumulátorokat kizárólag eredeti akkumulátortöltővel töltsen. Tűz és robbanás elkerülése érdekében valamennyi akkumulátorhoz speciális akkumulátortöltő szükséges.
- ▶ 1.2.26. A berendezés működtetése kizárólag a jelen kézikönyvben előírt áramforrásokról lehetséges. Súlyos sérülések elkerülése érdekében működésben lévő melegítő tápellátási módját változtatni tilos.
- ▶ 1.2.27. Ha a léghevítő vezérlése egy termosztátról történik vezetékes üzembről akkumulátoros működésre vált, előfordulhat, hogy a melegítő készenléti üzemmódba kapcsol (ekkor a kijelzőn a „[]” jel látható). Legyen nagyon körültekintő, mert a melegítő bármikor automatikusan visszakapcsolhat súlyos dologi károkat illetve személyi sérüléseket okozva.

▶▶2. KICSOMAGOLÁS

Lásd az 1. ábrát.

- ▶ 2.1. Távolítsa el a melegítőről a szállításhoz vagy csomagoláshoz használt anyagokat, és gondoskodjon a hatályos előírásoknak megfelelő ártalmatlanításáról.
- ▶ 2.2. Vegye ki az összes alkatrészt a csomagolásból.
- ▶ 2.3. Ellenőrizze, hogy a készülék nem sérült-e meg a szállítás közben. Amennyiben a melegítőn sérülések láthatók, forduljon haladéktalanul ahhoz a márkakereskedőhöz, ahol a terméket vásárolta.

▶▶3. KÉSZÜLÉK RÉSZEINEK LEÍRÁSA

▶ 3.1. TÁPKÁBEL (ahol van):

A TÁPKÁBEL NEM RENDELKEZIK AKKUMULÁTORTÖLTŐ FUNKCIÓVAL

(5 Ábra) A melegítő az elektromos hálózathoz csatlakoztatva is üzemeltethető a tápkábel segítségével. Rendszeresen ellenőrizze a kábel állapotát a súlyos sérülések elkerülése érdekében. Tartsa tiszteltben a kézikönyv tápkábelre vonatkozó figyelmeztetéseit.

▶ 3.2. AKKUMULÁTOR (ahol van):

(6 Ábra)

MEGJEGYZÉSEK: HASZNÁLJON AZ AKKUMULÁTOR KAPACITÁSÁNAK (Ah) MEGFELELŐ FESZÜLTSGŰ EREDETI AKKUMULÁTORTÖLTŐT.

A melegítő üzemelése önállóan is történhet, eredeti Li-ion akkumulátor használatával, elektromos hálózathoz történő csatlakoztatás nélkül. Az újratölthető akkumulátort részlegesen feltöltve szállítjuk, ezért javasoljuk, hogy használata előtt töltsen fel. A melegítő tápellátásához kizárólag eredeti akkumulátorokat használjon. Tartsa tiszteltben a kézikönyv akkumulátorokra vonatkozó figyelmeztetéseit.

▶ 3.3. AKKUMULÁTORTÖLTŐ (ahol van):

(7 Ábra) Az akkumulátortöltő az eredeti Li-ion akkumulátorok újratöltésére lett tervezve. Vegye figyelembe az akkumulátortöltő működési paramétereit (lásd az akkumulátortöltő adattábláját). Az akkumulátortöltőt teljesen száraz, portól mentes helyiségekben használja, kizárólag ennek a melegítőnek a tápellátásához használt eredeti újratölthető akkumulátorok töltéséhez. Az akkumulátortöltő automatikusan kezeli az újratöltést az akkumulátor csatlakoztatásakor (8 Ábra). Az akkumulátortöltőn lévő jelzőfény segítségével a hibakezelési szakaszban részletes diagnosztikai adatokat kaphat. (9 Ábra). Vegye figyelembe a kézikönyv akkumulátortöltőre vonatkozó figyelmeztetéseit.

▶▶4. TÜZELŐANYAG

FIGYELMEZTETÉS! A melegítő kizárólag GÁZOLAJJAL vagy KEROZINNAL működik.

Tűz vagy robbanás elkerülésére használjon kizárólag dízelt vagy kerozint. Soha ne használjon benzint, gázolajat, oldószereket, alkoholt vagy más gyúlékony fűtőanyagot. Nagyon alacsony hőmérséklet esetén használjon fagyálló nem mérgező adalékanyagokat.

▶▶5. MŰKÖDÉSI ELV

Lásd a 2. ábrát.

A teljes égéshez szükséges levegőt egy az égő belsejébe felszerelt ventilátor biztosítja. A levegő az égő csövéből érkezik és összekeveredik a fűtőanyaggal, amelyet egy magassnyomású porlasztó juttat az égőhöz. A fűvóka által porlasztott fűtőanyag ellátását egy villamos szivattyú biztosítja, amely felszívja a fűtőanyagot a tartályból, majd nagy nyomáson a fűvókába juttatja.

▶▶6. MŰKÖDÉS

FIGYELMEZTETÉS! A melegítő bekapcsolása előtt olvassa el figyelmesen a „BIZTONSÁGI SZABÁLYOK” c. fejezetet.

FONTOS: Ha a melegítőt az első kísérlet során nem sikerül begyújtani, ellenőrizze, hogy van-e fűtőanyag a tartályban, az üzemanyag szűrő tiszta-e, és a melegítő egyenes és stabil felületen áll-e.

FONTOS: A jelen termék egy infravörös melegítő. Tárgyak és nem a levegő hevítésére szolgál.

FONTOS: A súlyos sérülések elkerülése érdekében ha hálózati működésről akkumulátoros működésre vált át vagy fordítva, kapcsolja ki a melegítőt a vonatkozó utasítások pontos betartásával.

▶ 6.1. A MELEGÍTŐ BEKAPCSOLÁSA:

- ▶ 6.1.1. Járjon el a biztonsági előírásoknak megfelelően.
- ▶ 6.1.2. Ellenőrizze, hogy van-e fűtőanyag a tartályban.
- ▶ 6.1.3. Zárja le a tartály fedelét.
- ▶ 6.1.4. Csatlakoztassa a hálózati csatlakozót az elektromos hálózathoz (A FESZÜLTSEGET LÁSD A „MŰSZAKI ADATOK TÁBLÁZATÁBAN”) (10-11 Ábra).
- ▶ 6.1.5. Kapcsolja az „ON/OFF” kapcsolót „ON” helyzetbe (I). (3 Ábra A) A melegítő néhány másodperc múlva bekapcsol. Ha a melegítő nem kapcsol be, a probléma megoldásához olvassa el a 10. bekezdést.

Megj: HA A MELEGÍTŐT AMIATT KELL LEKAPCSOLNA, MERT A FŰTŐANYAG KIFOGYOTT, TÖLTSE FEL A TARTÁLYT, MAJD KAPCSOLJA VISSZA A MELEGÍTŐT (LÁSD 5.1. BEKEZDÉST).

▶ 6.2. A MELEGÍTŐ KIKAPCSOLÁSA:

FIGYELEM: NE ÁRAMTALANÍTSA A KÉSZÜLÉKET, NE HÚZZA KI A TÁPKÁBELT ILLETVE NE VEGYE KI AZ AKKUMULÁTORT ADDIG, AMÍG A KÉSZÜLÉK TELJESEN KI NEM HÚLT (kb. 5 percet vesz igénybe).

- ▶ 6.2.1. Kapcsolja az „ON/OFF” kapcsolót „OFF” helyzetbe (0) (3 Ábra A).

► 6.3. A SZOBATERMOSZTÁT CSATLAKOZTATÁSA (rendelhető):

FIGYELEM: A SZOBATERMOSZTÁT (RENDELHETŐ TARTOZÉK) CSAK AKKOR MŰKÖDIK, HA A MELEGÍTŐ A HÁLÓZATRÓL ÜZEMEL.

FIGYELEM: HA A MELEGÍTŐT A RENDELHETŐ SZOBATERMOSZTÁT VEZÉRLI, A KÉSZÜLÉK BE- ÉS KIKAPCSOLÁSA AUTOMATIKUS.

Távolítsa el a melegítőhöz csatlakoztatott fedelet, majd kösse be a termosztátot (opcíós) (3 Ábra C).

►► 7. AZ ÜZEMANYAG SZŰRŐ TISZTÍTÁSA

Lásd a 4. ábrát.

A HASZNÁLT ÜZEMANYAG MINŐSÉGÉTŐL FÜGGŐEN SZÜKSÉGESSÉ VÁLHAT A SZŰRŐ MEGTISZTÍTÁSA:

- 7.1. Vegye le a tartályról a fedelet (4 Ábra A).
- 7.2. Vegye ki a szűrőt a tartályból.
- 7.3. Hajtsa ki az anyát (4 Ábra B).

- 7.4. Húzza ki a szűrőt (4 Ábra C).
- 7.5. Tisztítsa ki a szűrőt tiszta üzemanyaggal, és eközben figyeljen oda arra, hogy ne károsítsa a szűrőt.
- 7.6. Szerelje vissza a szűrőt a tartályba.

►► 8. TÁROLÁS ÉS SZÁLLÍTÁS

JAVASOLJUK, HOGY A MELEGÍTŐ MINÉL MEGFELELŐBB TÁROLÁSA ILLETVE SZÁLLÍTÁSA ÉRDEKÉBEN KÖVESSE AZ ALÁBBIKAT:

- 8.1. Ürítse ki a fűtőanyag tartályt.
- 8.2. Ha maradványokat vesz észre, öntsön tiszta fűtőanyagot a tartályba és azt újra ürítse le.
- 8.3. Zárja vissza a tartály fedelét, és ártalmatlanítsa a fűtőanyagot megfelelően, a hatályos előírások szerint.
- 8.4. A melegítő megfelelő tárolása érdekében azt tanácsoljuk, hogy tartsa a készüléket vízszintes helyzetben, hogy a fűtőanyag ne folyjon ki, és tárolja száraz, és az esetleges külső károsító hatásoktól védett helyen.

►► 9. KIJELZŐI HIBÁK

Lásd a B. 3 ábrát.

HIBA	OKA	MEGOLDÁSA
MŰVELETI HIBA		
F0	1. Az "ON/OFF" kapcsoló "ON" (I) állásban van a generátor hálózatra csatlakoztatásakor	1. A generátor hálózatról való lecsatlakoztatásáról állítsa a kapcsolót "OFF" (O) állásba, ismét csatlakoztassa a dugót az aljzatba, majd állítsa a kapcsolót a "ON" (I) állásba
FOTOCELLA HIBA		
F1	1. Nincs üzemanyag 2. Szennyezet üzemanyag 3. Szennyezett vagy sérült fotocella 4. Szennyezett szűrő 5. Gyújtási hiba	1. Állítsa a kapcsolót "OFF" (O) állásba, töltsön a tartályba üzemanyagot 2. Állítsa a kapcsolót "OFF" (O) állásba, ürítse ki, majd töltsön a tartályba üzemanyagot. Tisztítsa ki a szűrőt tiszta üzemanyaggal, ügyelve rá, hogy ne sérüljön meg (LÁSD AZ. 6 FEJEZETET) 3. Forduljon a központ műszaki személyzetéhez 4. LÁSD AZ. 6 FEJEZETET 5. Forduljon a központ műszaki személyzetéhez
HŐÉRZÉKELŐ HIBA		
F2	1. Vezeték megszakadt 2. Sérült érzékelő	1. Forduljon a központ műszaki személyzetéhez 2. Forduljon a központ műszaki személyzetéhez
A TERMOSZTÁT MEGHIBÁSODÁSA		
F3	1. A generátor belül túlmelegedett 2. Felborulás ellen védő érzékelő	1. Kapcsolja ki a generátort és várja meg, míg teljesen lehűl 2. Állítsa a kályhát sík, stabil felületre
NEM MEGFELELŐ FESZÜLTÉG		
F4	1. Nem megfelelő feszültség	1. Ellenőrizze a berendezés megfelelő feszültségét
A BERENDEZÉS HÁROM KÍSÉRLETET KÖVETŐEN SEM KAPCSOL BE		
FF	1. Nincs fűtőanyag 2. Az üzemanyag szűrő szennyezett 3. A fotocella szennyezett vagy hibás 4. A fűvóka szennyezett vagy hibás 5. Az antitilting érzékelő bekapcsolt	1. Forduljon a központ műszaki személyzetéhez 2. Forduljon a központ műszaki személyzetéhez 3. Forduljon a központ műszaki személyzetéhez 4. Forduljon a központ műszaki személyzetéhez 5. Forduljon a központ műszaki személyzetéhez
AZ AKKUMULÁTOR LEMERÜLT		
PF	1. Az akkumulátor lemerült	1. Töltse fel az akkumulátort
A MELEGÍTŐ KÉSZENLÉTI ÜZEMMÓDBAN VAN		
[]	1. Termosztát csatlakoztatva 2. Váltás hálózatról történő működés és akkumulátoros működés között	1. A termosztátra beállított hőmérséklet alacsonyabb a helyiség hőmérsékleténél 2. Automatikus visszakapcsolás

►► 10. MEGELŐZŐ KARBANTARTÁS ÜTEMTERVE

FIGYELEM: BÁRMILYEN NEMŰ KARBANTARTÁSI VAGY JAVÍTÁSI MUNKÁLAT ELŐTT CSATLAKOZTASSA LE A VILLAMOS TÁPVEZETÉKET ÉS ELLENŐRIZZE, HOGY A GENERÁTOR HIDEG.

HA A LÉGHEVÍTŐ HASZNÁLATÁRA NAGYON POROS KÖRNYEZETBEN KERÜL SOR, A TISZTÍTÁS ÉS A KARBANTARTÁS GYAKORISÁGÁT NÖVELNI KELL.

ALKATRÉSZ	KARBANTARTÁS GYAKORISÁGA	KARBANTARTÁSI FOLYAMAT
Üzemanyagtartály	150-200 üzemóránként vagy szükség szerint tisztítani	Ürítse ki és öblítse ki a tartályt tiszta üzemanyaggal
Fűvóka	Egy szezon során egyszer vagy szükség szerint tisztítani vagy lecserélni	Forduljon a központ műszaki személyzetéhez
Fotocella	Egy szezon során egyszer vagy szükség szerint tisztítani vagy lecserélni	Forduljon a központ műszaki személyzetéhez
Üzemanyag szűrő	Egy szezon során kétszer vagy szükség szerint tisztítani vagy lecserélni	Tisztítsa ki a szűrőt tiszta üzemanyaggal
Gyújtószerkezet	1.000 üzemóránként vagy szükség szerint tisztítani vagy lecserélni	Forduljon a központ műszaki személyzetéhez
Rotor lapátok	Szükség szerint tisztítani	Forduljon a központ műszaki személyzetéhez

►► 11. A PROBLÉMÁK BEAZONOSÍTÁSA

PROBLÉMA	LEHETSÉGES OKA	LEHETSÉGES MEGOLDÁSA
Tisztítsa ki a szűrőt tiszta üzemanyaggal	<ol style="list-style-type: none"> 1. A generátor akadályoztatva van 2. A kapcsoló "OFF" (0) helyzetben van 3. Nincs feszültség 4. A tápvezeték nincs csatlakoztatva 5. A vezérlőlap le van blokkolva 6. A szobai termosztát rosszul van beállítva 7. A hőérzékelő reagált 8. Hibás biztosíték 	<ol style="list-style-type: none"> 1. Kapcsolja ki, majd újra indítsa el a generátort 2. Állítsa a kapcsolót az "ON" (I) állásba 3A. Csatlakoztassa be helyesen a tápvezetékét a villamos csatlakozóaljzatba 3B. Ellenőrizze a hálózati vezetékeket 3C. Forduljon a központ műszaki személyzetéhez 3D. Az akkumulátor lemerült 4. Forduljon a központ műszaki személyzetéhez 5A. Kapcsolja ki, majd újra indítsa el a generátort 5B. Azonosítsa be a hibát a kijelzőn 5C. Forduljon a központ műszaki személyzetéhez 6. Szabályozza be a szobai termosztátot, állítsa a környezeti hőmérsékletnél magasabb hőmérsékletre 7A. Várjon legalább tíz percet, majd próbáljon újra a gyújtás fázisba kapcsolni 7B. Forduljon a központ műszaki személyzetéhez 8. Forduljon a központ műszaki személyzetéhez
A motor/szivattyú beindul, de a láng nem kapcsol be	<ol style="list-style-type: none"> 1. Nincs üzemanyag 2. A gyújtó berendezés szennyezett 3. Szennyezett üzemanyagszűrő 4. Szennyezett fűvóka 5. A fotocella szennyezett, sérült vagy helytelenül beszerelve 6. Idegen anyagok a tartályban 7. Elhasználódott elektródák vagy rosszul beállított hézagok 	<ol style="list-style-type: none"> 1. Kapcsolja ki a generátort, töltsse fel a tartályt üzemanyaggal, majd újra indítsa el a generátort 2. Forduljon a központ műszaki személyzetéhez 3. Tiszta üzemanyaggal tisztítsa ki a szűrőt 4. Forduljon a központ műszaki személyzetéhez 5. Forduljon a központ műszaki személyzetéhez 6. Ürítse ki és újra töltsse fel a tartályt tiszta üzemanyaggal 7. Forduljon a központ műszaki személyzetéhez
A rotor akadályoztatva van, vagy túl lassan forog	<ol style="list-style-type: none"> 1. Sérült motor 	<ol style="list-style-type: none"> 1. Forduljon a központ műszaki személyzetéhez

POMEMBNO: PRED NAMESTITVIJO, ZAGONOM ALI VZDRŽEVANJEM GENERATORJA PREBERITE TA NAVODILA. NEPRAVILNA UPORABA GENERATORJA LAHKO POVZROČI HUDE POŠKODBE. SHRANITE TA NAVODILA Z NAMENOM, DA JIH PO POTREBI LAHKO PREBERETE TUDI POZNEJE.

►► 1. INFORMACIJE GLEDE VARNOST (OPOZORILA)



POMEMBNO: Grelnik zraka je bil zasnovan za premikanje in začasne profesionalne aplikacije. Ni bil zasnovan za domačo uporabo ali kot pripomoček za ogrevanje ljudi.



POMEMBNO: Te naprave naj ne uporabljajo osebe z zmanjšanimi fizičnimi, senzoričnimi ali umskimi sposobnostmi (vključno z otroki) oziroma s premalo izkušnjami ali znanja, razen če jih pri tem nadzoruje ali usmerja oseba, zadolžena za njihovo varnost. Otroke je treba imeti pod nadzorom, da se z napravo ne bi igrali.



NEVARNOST: Vdihavanje ogljikovega dioksida je lahko smrtno nevarno.

Prvi znaki zastrupitve z ogljikovim monoksidom so podobni znakom gripe, z glavobolom, vrtoglavico in/ali slabostjo. Ti znaki so lahko posledica nepravilnega delovanja kotla. PRIMOENJENIH ZNAKIH TAKOJ POJDITE NA SVEŽI ZRAK in se obrnite na servisno osebje zaradi popravila kotla.

1.1. POLNJENJE:

- 1.1.1. Osebje, zadolženo za polnjenje grelnikov, mora biti kvalificirano in popolnoma obvladati navodila proizvajalca ter veljavne predpise, ki se nanašajo na varno polnjenje grelnikov.
- 1.1.2. Uporabljajte izključno tip goriva, ki je specifičan na identifikacijski tablici grelnika.
- 1.1.3. Preden izvršite polnjenje, ugasnite grelnik in počakajte, da se ohladi.
- 1.1.4. Cisterne za shranjevanje goriva morajo biti postavljene v ločeni strukturi.
- 1.1.5. Vsi rezervoarji za gorivo se morajo nahajati na minimalni varnostni razdalji od grelnika, določeni z veljavnimi pravili.
- 1.1.6. Gorivo je potrebno shranjevati v prostorih, kjer talna obloga ne dopušča penetracije ali kapljanje goriva na plamene, ki se nahajajo spodaj, saj lahko pride do vžiga.
- 1.1.7. Shranjevanje mora biti izvršeno glede na veljavne predpise.

1.2. VARNOST:

- 1.2.1. Grelnika nikoli ne uporabljajte v prostorih, kjer je prisoten bencin, topila za lake ali druge pare, ki so zelo vnetljive.
- 1.2.2. Pri uporabi grelnika spoštujte vse lokalne predpise in veljavno zakonodajo.
- 1.2.3. Grelniki, ki se nahajajo blizu ponjav, pregrinjali ali drugih podobnih prekrivnih materialov, morajo biti na varni razdalji od le-teh. Priporoča se uporaba ognjevzdržnih materialov.
- 1.2.4. Uporabljajte le v dobro zračenih prostorih. Predvidite odprtine za dovod zunanjega zraka v skladu z veljavnimi predpisi.
- 1.2.5. Grelnik je potrebno priključiti na električno napajalno omrežje s takšnimi specifikami napetosti in frekvence, ki so navedene na identifikacijski tablici grelnika.
- 1.2.6. Uporabite samo podaljške na tri žice, ki so ustrezno ozemljeni.

- 1.2.7. Minimalne priporočene varnostne razdalje med grelnikom in vnetljivimi snovmi so: sprednji izhod = 2,5 m (8 ft); ob strani, zgoraj in zadaj = 1,5 m (5 ft).
- 1.2.8. Vroč ali delujoč grelnik je potrebno postaviti na stabilno in ravno podlago, ter se tako izogniti tveganjem požara.
- 1.2.9. Živali morate držati na varni razdalji od grelnika.
- 1.2.10. Ko grelnika ne uporabljate, ga izključite iz omrežja ali odstranite njegovo baterijo.
- 1.2.11. Ko je grelnik kontroliran preko termostata, se lahko kadarkoli prižge.
- 1.2.12. Grelnika nikoli ne uporabljajte v sobah, kjer pogosto bivate ali v spalnicah.
- 1.2.13. Ko je grelnik vroč, priključen na električno omrežje, se napaja preko baterije ali delujoč, ga ne smete nikoli premikati, polniti, niti na njem izvrševati nobenega vzdrževalnega posega.
- 1.2.14. Ohranite varno razdaljo med vnetljivimi ali termolabilnimi materiali (vključno z napajalnim kablom) in grelnikom.
- 1.2.15. Če sta napajalni kabel ali baterija poškodovana, ju mora zamenjati servisni center, tako da se izognete vsakemu tveganju (poškodovani material odstranite v skladu z veljavno zakonodajo).
- 1.2.16. Prepričajte se, da je grelnik ugasnjen, preden povežete vtič napajalnega kabla in/ali vstavite baterijo za ponovno polnjenje, tako da preprečite vsako tveganje.
- 1.2.17. Uporabljajte izključno originalne, posebej predvidene baterije za ponovno polnjenje. Neprimerna uporaba baterij za ponovno polnjenje lahko povzroči poškodbe, tudi smrtne, opekline, eksplozijo, električni udar ali zastrupitev.
- 1.2.18. Ohranite ustrezno varnostno razdaljo med nepovezani baterijo za ponovno polnjenje in sponkami, kovanci, ključi, žebli in ostalimi majhnimi kovinskimi predmeti, ki bi lahko povzročili morebitni kratek stik. Morebitni kratek stik med kontakti baterije za ponovno polnjenje lahko povzroči poškodbe ali življenjsko nevarnost za osebe, ožganine, opekline, eksplozije, itd..
- 1.2.19. Nepravilna uporaba baterije lahko povzroči puščanje tekočine iz baterije. Strogo se izogibajte stika s tekočino. V primeru naključnega kontakta, temeljito izperite z vodo. V primeru, da tekočina pride v stik z očmi, takoj poiščite zdravnika. Tekočina iz baterije lahko povzroči draženje kože ali opekline.
- 1.2.20. Nepravilna uporaba baterije lahko povzroči uhajanje hlapov iz baterije. Strogo se izogibajte vdihavanju teh hlapov. Prezračite prostor ter se v primeru težav zaradi naključnega vdihavanja oglasite pri zdravniku. Hlapi lahko dražijo dihalne poti.
- 1.2.21. Z namenom preprečevanja resnih tveganj, ne poskušajte odpirati/demontirati baterije za ponovno polnjenje.
- 1.2.22. Z namenom preprečevanja resnih tveganj, zaščitite baterijo za ponovno polnjenje pred toploto (na primer pred neprekinjenimi sončnimi žarki, ognjem, vodo, vlago, itd.).
- 1.2.23. Uporabljajte baterijo za ponovno polnjenje, ki je specifična za ta grelnik, saj le tako preprečite nevaren previsok tok.
- 1.2.24. Uporabljajte izključno originalne baterije za ponovno polnjenje, ustrezne glede na napetost, ki je navedena na tehnični tablici grelnika. V primeru uporabe drugih baterij za ponovno polnjenje (na primer imitacije, predelane ali konkurenčne baterije, obstaja tveganje za poškodbe in/ali eksplozije).

- ▶ 1.2.25. Baterije za ponovno polnjenje polnite izključno z originalnim polnilnikom. Z namenom preprečevanja požarov in eksplozij, vsaka baterija za ponovno polnjenje potrebuje poseben specifični polnilnik.
- ▶ 1.2.26. Uporabljajte le tiste načine električnega napajanja, ki so predvidene v tem priročniku. Prepovedano je spreminjati način napajanja grelnika, ko le-ta deluje, tako preprečite resno škodo.
- ▶ 1.2.27. Ko grelnik upravlja termostat ali preklopite z električnega kableskega napajanja na baterijsko, bi se grelnik lahko ugasnil in prešel v stanje pripravljenosti (na zaslonu se prikaže napis „[]“), pazite, ker bi se grelnik lahko kadar koli samodejno prižgal in močno poškodoval stvari in ljudi.

▶▶ 2. ODSTRANJEVANJE EMBALAŽE

Glejte Sl. 1

- ▶ 2.1. Odstranite vse uporabljene materiale embalaže in odpreme grelnika ter jih odložite v skladu z veljavnimi predpisi.
- ▶ 2.2. Vse artikle vzemite iz embalaže.
- ▶ 2.3. Preverite, da se med prevozom ni poškodoval. Če opazite, da je poškodovan, takoj obvestite koncesionarja, kjer ste ga kupili.

▶▶ 3. OPIS ARTIKLOV

▶ 3.1. NAPAVALNI KABEL (kjer je prisoten):

NAPAVALNI KABEL NIMA FUNKCIJE POLNILNIKA BATERIJ.

(Sl. 5) Grelnik lahko deluje povezan na električno omrežje z napajalnim kablom. Redno preverjajte stanje kabla, da preprečite hujše okvare. Spoštujte vsa opozorila, navedena v tem priročniku, ki se nanašajo na napajalni kabel.

▶ 3.2. BATERIJA (kjer je prisotna):

(Sl. 6)

OPOMBE: GLEDE NA ZMOGLJIVOST BATERIJE (MERJENA V Ah) JE TREBA UPORABITI ORIGINALNI POLNILEC BATERIJ Z USTREZNO MOČJO.

Grelnik lahko deluje avtonomno s pomočjo originalne Li-ionске baterije za ponovno polnjenje, ne da bi ga bilo potrebno priključiti na električno omrežje. Baterija za ponovno polnjenje je dobavljena delno napolnjena, zato svetujemo, da jo pred uporabo popolnoma napolnite. Za napajanje grelnika uporabljajte le originalne baterije za ponovno polnjenje. Spoštujte vsa opozorila navedena v tem priročniku, ki se nanašajo na baterijo.

▶ 3.3. POLNILNIK (kjer je prisoten):

(Sl. 7) Polnilnik za baterije je namenjen polnjenju originalnih Li-ion baterij. Potrebno je upoštevati parametre delovanja polnilnika (glejte tablico s podatki, ki se nahaja na polnilnika). Polnilnik za baterije uporabljajte le na suhih in pred prahom zaščiteneh mestih, polnite izključno originalne baterije za ponovno polnjenje, uporabne za polnjenje tega grelnika. Polnilnik baterije je predviden za avtomatsko kontrolo pravičnega cikla polnjenja, ko se poveže baterija za ponovno polnjenje (Sl. 8). Svetlobna signalna lučka na polnilniku omogoča podrobno diagnostiko med fazo iskanja (Sl. 9). Spoštujte vsa opozorila navedena v tem priročniku, ki se nanašajo na polnilnik za baterije.

▶▶ 4. GORIVO

OPOZORILO: Grelnik deluje le na DIZEL ali KEROZIN.

Uporabite le dizel ali kerozin ter se tako izognite tveganjem za nastanek eksplozije. Nikoli en uporabljajte bencina, nafte,

topil za lake, alkohola ali drugih goriv, ki so zelo vnetljivi. V primeru zelo nizkih temperatur uporabite nestrupena sredstva proti zmrzovanju.

▶▶ 5. PRINCIP DELOVANJA

Glejte Sl. 2

Zrak, potreben za zagotavljanje pravičnega izgorevanja, se proizvaja z vrtenjem ventilatorja v grelniku. Pretok zraka se sprosti skozi rokav gorilnika in se zmeša z gorivom, ki ga pod visokim tlakom razprši šoba. Iz šobe razpršeno gorivo zagotavlja električna črpalka, ki ga črpa iz rezervoarja in ga pod visokim tlakom potiska proti šobi.

▶▶ 6. DELOVANJE

OPOZORILO: Pozorno preberite „INFORMACIJE O VARNOSTI“, preden prižgete grelnik.

POMEMBNO: Po prvem neuspešnem vklopu grelnika, preverite prisotnost goriva v rezervoarju, prepričajte se, da je filter goriva čist in preverite, ali je grelnik postavljen na ravno in stabilno površino.

POMEMBNO: Ta naprava je infrardeči grelnik. Ne segreva zraka, temveč predmete.

POMEMBNO: Za zamenjavo električnega napajanja z baterije na kabel in obratno, ugasnite gorilnik, pri čemer dosledno sledite postopku, da se izognete večji škodi.

▶ 6.1. PRIŽIG GRELNKA:

- ▶ 6.1.1. Upoštevajte vsa varnostna navodila.
- ▶ 6.1.2. Preverite, da se v rezervoarju nahaja gorivo.
- ▶ 6.1.3. Zaprite pokrov rezervoarja.
- ▶ 6.1.4. Povežite vtikač z električnim omrežjem ali s polno baterijo (GLEJ NAPETOST V „TABELI TEHNIČNIH PODATKOV“) (Sl. 10-11).
- ▶ 6.1.5. Prestavite stikalo „ON/OFF“ na položaj „ON“ (I) (A Sl. 3). Grelnik se mora prižgati v nekaj sekundah. Če se grelnik ne zažene, težavo poiščite v odstavku identifikacija težave (Odst. 10).

OPOMBA: V PRIMERU, DA GRELNİK UGASNE ZARADI POMANJKANJE GORIVA, UGASNITE GRELNİK, DOLIJTE GORIVO V REZERVOAR IN GA PONOVO PRIŽGITE (GLEJ ODS. 5.1.).

▶ 6.2. UGAŠANJE GRELNKA:

POZOR: NE ODVZEMITE NAPETOSTI ALI ODKLOPITE NAPAVALNEGA KABLA ALI ODSTRANITE BATERIJE DOKLER SE GORILNIK NE BO POPOLNOMA OHLADIL (prib. 5 min.).

- ▶ 6.2.1. Prestavite stikalo „ON/OFF“ na položaj „OFF“ (0) (A Sl. 3).

▶ 6.3. PRIKLOP SOBNEGA TERMOSTATA (izbirno):

POZOR: OKOLJSKI TERMOSTAT (IZBIRNO) DELUJE SAMO, KI GRELNİK NAPAJA NAPAVALNI KABEL.

POZOR: KO GRELNİK UPRAVLJA OKOLJSKI TERMOSTAT (IZBIRNO), JE UGAŠANJE IN PONOVO PRIŽIGANJE GRELNKA SAMODEJNO.

Snemite čep, ki je povezan z grelnikom, in priključite sobni termostat (izbirno) (C Sl. 3).

▶▶ 7. ČIŠČENJE FILTRA GORIVA

Glejte Sl. 4

GLEDE NA KAKOVOST UPORABLJENEGA GORIVA, BO MORDA TREBA OČISTITI FILTER.

- ▶ 7.1. Odstranite pokrovček rezervoarja (A Sl. 4).
- ▶ 7.2. Filter izvlecite iz rezervoarja.
- ▶ 7.3. Odvijte matico (B Sl. 4).
- ▶ 7.4. Izvlecite filter (C Sl. 4).
- ▶ 7.5. Očistite filter s čistim gorivom, pazite, da ga ne poškodujete.
- ▶ 7.6. Filter ponovno namestite na rezervoar.

▶▶ 8. SHRANJEVANJE IN PREVOZ

Z NAMENOM BOLJŠEGA SHRANJEVANJA IN/ALI PREVOZA GRELNİKA SVETUJEMO, DA UPOŠTEVATE NASLEDNJI POSTOPEK:

- ▶ 8.1. Odstranite gorivo iz rezervoarja.
- ▶ 8.2. Če opazite prisotnost ostankov, novo gorivo nalijte v rezervoar in ga ponovno izpraznite.
- ▶ 8.3. Zaprite zamašek rezervoarja in gorivo ustrezno odstranite, c skladu z veljavno zakonodajo.
- ▶ 8.4. Za kar najboljše shranjevanje grelnika svetujemo, da ga postavite ravno, da ne bi prišlo do uhajanja goriva in ga shranjujete na suhem mestu, zaščitenege pred zunanji dejavniki.

▶▶ 9. NAPAKE NA PRIKAZOVALNIKU

Glejte B Sl. 3

NAPAKA	VZROK	REŠITEV
OPERACIJSKA NAPAKA		
F0	1. Stikalo "ON/OFF" je v položaju "ON" (I), ko je generator priključen na električno omrežje	1. Izključite generator iz električnega omrežja, nato stikalo nastavite v položaj "ON" (0), napravo ponovno priključite na električno omrežje in stikalo nastavite v položaj "ON" (I)
NAPAKA FOTOCELICE		
F1	1. Ni goriva 2. Gorivo je onesnaženo 3. Fotocelica je onesnažena ali poškodovana 4. Filter goriva je onesnažen 5. Napaka vžiga	1. Stikalo nastavite v položaj "OFF" (0) in rezervoar napolnite z gorivom 2. Stikalo nastavite v položaj "OFF" (0), nato izpraznite in ponovno napolnite rezervoar goriva. Filter očistite s čistim gorivom; pazite, da ga ob tem ne poškodujete (GLEJ ODST. 6) 3. Obrnite se na center za tehnično pomoč 4. GLEJ ODST. 6 5. Obrnite se na center za tehnično pomoč
NAPAKA TEMPERATURNEGA TIPALA		
F2	1. Prekinjen vodnik 2. Tipalo je poškodovano	1. Obrnite se na center za tehnično pomoč 2. Obrnite se na center za tehnično pomoč
NAPAKA TERMOSTATA		
F3	1. Notranje pregretje generatorja 2. Senzor proti prevrnitvi	1. Izklopite generator in počakajte, dokler se popolnoma ne ohladi 2. Peč postavite na ravno in stabilno površino
NEUSTREZNA NAPETOST		
F4	1. Neustrezna napetost	1. Preverite napetost vašega omrežja
NEUSPEŠNI VKLOP V TREH POIZKUSIH		
FF	1. Pomanjkanje goriva 2. Filter goriva umazan 3. Fotocelice umazana ali okvarjena 4. Šoba umazana ali okvarjena 5. Sproženje antitilting senzorja	1. Obrnite se na center za tehnično pomoč 2. Obrnite se na center za tehnično pomoč 3. Obrnite se na center za tehnično pomoč 4. Obrnite se na center za tehnično pomoč 5. Obrnite se na center za tehnično pomoč
PRAZNA BATERIJA		
PF	1. Prazna baterija	1. Napolnite baterijo
GRELNİK V PRIPRAVLJENOSTI		
[]	1. Termostat je priklopljen 2. Prehod s kablskega na baterijsko napajanje	1. Na termostatu nastavljena temperatura je nižja od temperature okolja 2. Samodejni ponovni zagon

►► 10. RAZPORED PREVENTIVNEGA VZDRŽEVANJA

POZOR: PRED KAKRŠNIMI KOLI VZDRŽEVALNIMI ALI POPRAVILNIMI DELI IZKLUČITE NAPAJALNI KABEL IZ ELEKTRIČNEGA OMREŽJA IN PREVERITE, ALI JE GENERATOR HLADEN.

ČE GRELNIK UPORABLJATE V ŠE POSEBEJ PRAŠNIH OKOLJIH, GA JE TREBA POGOSTEJE VZDRŽEVATI IN ČISTITI.


DEL	POGOSTNOST VZDRŽEVANJA	POSTOPEK VZDRŽEVANJA
Rezervoar za gorivo	Očistite po vsakih 150-200 urah delovanja oziroma po potrebi	Izpraznite in izperite rezervoar; za to uporabite čisto gorivo
Šoba	Očistite ali zamenjajte enkrat na sezono oziroma po potrebi	Obrnite se na center za tehnično pomoč
Fotocelica	Očistite enkrat na sezono oziroma po potrebi	Obrnite se na center za tehnično pomoč
Filter goriva	Očistite ali zamenjajte dvakrat na sezono oziroma po potrebi	Očistite filter goriva; za to uporabite čisto gorivo
Vžigalna naprava	Očistite po vsakih 1.000 urah delovanja oziroma po potrebi	Obrnite se na center za tehnično pomoč
Lopate rotorja	Očistite po potrebi	Obrnite se na center za tehnično pomoč


►► 11. PREPOZNAVANJE NAPAK

TEŽAVA	MOŽEN VZROK	MOŽNA REŠITEV
Generator se ne zažene	<ol style="list-style-type: none"> 1. Generator je blokiran 2. Stikalo je v položaju "OFF" (0) 3. Ni napetosti 4. Napajalni kabel je izključen 5. Blokirana nadzorna kartica 6. Nepravilno nastavljen sobni termostat 7. Poseg temperaturnega tipala 8. Varovalka je poškodovana 	<ol style="list-style-type: none"> 1. Izklopite in ponovno vklopite generator 2. Stikalo nastavite v položaj "ON" (I) 3A. Vtič napajalnega kabla pravilno vtaknite v električno vtičnico 3B. Preverite električno omrežje 3C. Obrnite se na center za tehnično pomoč 3D. Prazna baterija 4. Obrnite se na center za tehnično pomoč 5A. Izklopite in ponovno vklopite generator 5B. Identificirajte napako na prikazovalniku 5C. Obrnite se na center za tehnično pomoč 6. Nastavite sobni termostat na temperaturo, ki je višja kot temperatura okolja 7A. Počakajte vsaj deset minut, nato ponovno poskusite z vžigom 7B. Obrnite se na center za tehnično pomoč 8. Obrnite se na center za tehnično pomoč
Motor/črpalka se zažene, toda se plamen ne prižge	<ol style="list-style-type: none"> 1. Ni goriva 2. Vžigalna naprava je onesnažena 3. Filter goriva je onesnažen 4. Šoba je onesnažena 5. Fotocelica je onesnažena, poškodovana ali nepravilno nameščena 6. V rezervoarju so tuje snovi 7. Elektrode so izrabljene ali nameščene v nepravilni razdalji 	<ol style="list-style-type: none"> 1. Izklopite generator, rezervoar napolnite z gorivom in ponovno vklopite generator 2. Obrnite se na center za tehnično pomoč 3. Očistite filter goriva s čistim gorivom 4. Obrnite se na center za tehnično pomoč 5. Obrnite se na center za tehnično pomoč 6. Izpraznite in ponovno napolnite rezervoar s čistim gorivom 7. Obrnite se na center za tehnično pomoč
Rotor je blokiran ali se prepočasi obrača	<ol style="list-style-type: none"> 1. Okvarjen motor 	<ol style="list-style-type: none"> 1. Obrnite se na center za tehnično pomoč

ÖNEMLİ: BU JENERATÖRÜN BİRLEŞTİRME, ÇALIŞTIRMA VEYA BAKIMINI YAPMADAN ÖNCE BU UYGULAMA KILAVUZUNU OKUYUN VE ANLAYIN. JENERATÖRÜN HATALI KULLANIMI AĞIR YARALANMALARA NEDEN OLABİLİR. BU KILAVUZU GELECEKTE DANIŞMAK ÜZERE MUHAFAZA EDİN.

►► 1. GÜVENLİK HAKKINDA BİLGİLER (UYARILAR)

 **ÖNEMLİ:** Bu hava ısıtıcısı mobil ve geçici profesyonel uygulamalar için tasarlanmıştır. Eysel kullanım ve insanın termal rahatlığı için tasarlanmamıştır.

 **ÖNEMLİ:** Bu, fiziksel, duyuşsal ve zihinsel engelleri olan kişiler (çocuklar dahil) veya güvenlikleri için sorumlu bir kişi tarafından denetim altında olmadıkları sürece uzman olmayan kişiler tarafından kullanıma uygun değildir. Çocukların cihaz ile oynamadığından emin olmak için çocuklar kontrol edilmelidir.

 **TEHLİKE:** Karbonmonoksit solumak ölümcül olabilir.

Karbonmonoksit zehirlenmesinin ilk belirtileri baş ağrısı, baş dönmesi ve/ya mide bulantısı ile gribe benzer. Bu belirtiler ısıtıcının kusurlu işleyişinden kaynaklanmış olabilir. **BU BELİRTİLERİN GÖRÜLMESİ HALİNDE DERHAL AÇIK ALANA ÇIKIN** ve ısıtıcıyı teknik servis merkezi tamir ettirin.

1.1. YAKIT İKMALİ:

- 1.1.1. Yakıt ikmalinden sorumlu personel, uzman olmalı ve üreticinin talimatları ve ısıtıcıların güvenli dolumu hakkındaki geçerli talimatlar ile tam bilgiye sahip olmalıdır.
- 1.1.2. Yalnızca ısıtıcının tanıtıcı plakasında açıkça belirtilen yakıt tipini kullanın.
- 1.1.3. Yakıt ikmalinden önce ısıtıcıyı kapatın ve soğumasını bekleyin.
- 1.1.4. Yakıt depolama tankları ayrı bir binada bulunmalıdır.
- 1.1.5. Tüm yakıt depoları, yürürlükteki düzenlemeler doğrultusunda, ısıtıcıdan asgari güvenlik mesafesinde bulunmalıdır.
- 1.1.6. Yakıt, ateşlemeye sebep olabileceğinden altındaki alevler üzerine damlama ve sızıntı yapmayacak bir zemine sahip lokallerde saklanı.
- 1.1.7. Yakıt muhafazası yürürlükteki düzenlemelere uyumlulukla yapılmalıdır.

1.2 GÜVENLİK:

- 1.2.1. Isıtıcıları asla benzin, vernik için çözücüler veya yüksek tutuşma özellikli diğer buharların olduğu yerlerde asla kullanmayın.
- 1.2.2. Isıtıcının kullanımı sırasında tüm yerel emirler ve geçerli düzenlemelere uyun.
- 1.2.3. Perde, örtü veya diğer kaplama benzeri materyallerin yakınında kullanılan ısıtıcılar, bunlar ile arasında güvenlik mesafesi bırakılarak yerleştirilmelidir. Yanmaz türde örtü materyali kullanılması da tavsiye edilir.
- 1.2.4. Yalnız iyi havalandırılmış alanlarda kullanın. Dışarıdan temiz hava alabilmek amacıyla geçerli düzenlemeler doğrultusunda uygun bir aralık hazırlayın.
- 1.2.5. Isıtıcıyı yalnızca, tanıtıcı plaka üzerinde belirtilen gerilim ve frekansa sahip akım ile besleyin.
- 1.2.6. Yalnızca kesinlikle toprak hatta bağlanmış üç telli uzatmalar kullanın.

- 1.2.7. Isıtıcı ve yanıcı maddeler arasında tavsiye edilen asgari güvenlik mesafeleri: ön çıkış = 2,5 m (8 ft); kenarda, yukarıda ve arkada = 1,5 m (5 ft).
- 1.2.8. Sıcak veya çalışan ısıtıcıyı, yangın risklerini önlemek için dengeli ve düz bir zemine yerleştirin.
- 1.2.9. Hayvanları ısıtıcıdan güvenlik mesafesinde tutun.
- 1.2.10. Kullanılmadığı zamanlarda ısıtıcının güç kaynağını kesin veya bataryayı çıkarın.
- 1.2.11. Isıtıcı, bir termostat tarafından kontrol edildiğinde herhangi bir anda çalışabilir.
- 1.2.12. Isıtıcıyı sıklıkla ikamet edilen odalar veya yatak odalarında asla kullanmayın.
- 1.2.13. Isıtıcı sıcakken veya elektrik şebekesine bağlıken ya da bataryadan beslenir haldeyken asla yeri değiştirilmemeli, kurcalanmamalı veya hiçbir bakım operasyonuna tabii tutulmamalıdır.
- 1.2.14. Yanıcı veya sıcaktan etkilenen (elektrik kablosu dahil) kısımları ısıtıcının sıcak kısımlarından uygun bir mesafede tutun.
- 1.2.15. Güç kaynağı kablosu veya bataryanın hasar görmüş olması halinde, her türlü riski önlemek üzere teknik servis merkezi tarafından değiştirilmelidir (hasar görmüş materyali geçerli kurallara göre imha edin).
- 1.2.16. Her türlü riski önlemek için güç kaynağı kablo-sunu bağlamadan ve/veya doldurulabilir bataryaları takmadan önce ısıtıcının kapalı olduğundan emin olun.
- 1.2.17. Yalnızca öngörülen orijinal doldurulabilir bataryaları kullanın. Bu ısıtıcının uygun olmayan kullanımı kişilere zarar verebilir veya hayati tehlikelere, yaralanmalara, yanıklara, patlamalara, elektrik şoklarına veya zehirlenmelere neden olabilir.
- 1.2.18. Devre dışı olan doldurulabilir batarya arasında uygun bir güvenlik mesafesini muhafaza edin ve olası bir kısa devreye neden olabilecek madeni paralar, anahtarlar, çiviler, vidalar ve diğer küçük metal nesnelere durdurun. Doldurulabilir bataryanın kontakları arasında olası bir kısa devre kişilere zarar verebilir veya hayati tehlikelere, yaralanmalara, yanıklara, patlamalara, vb. neden olabilir.
- 1.2.19. Doldurulabilir bataryanın yanlış kullanımı sıvının bataryadan çıkışına sebep olabilir. Temastan kesinlikle kaçının. Kaza eseri temas olması durumunda düzgün şekilde su ile yıkayın. Sıvının gözlerle teması halinde anında doktora başvurun. Doldurulabilir bataryadan sıvının çıkması cilt tahrişlerine ve yanıklara sebep olabilir.
- 1.2.20. Doldurulabilir bataryanın yanlış kullanımı bataryadan duman çıkışına neden olabilir. Bu dumanları solumaktan kesinlikle kaçının. Temiz hava girmesini sağlayın ve kaza eseri soluma durumunda rahatsızlıklar oluşursa bir doktora danışın. Dumanlar solunum yollarını tahriş edebilirler.
- 1.2.21. Ciddi riskleri önlemek için doldurulabilir bataryayı açmayın/kapatmayın.
- 1.2.22. Ciddi riskleri önlemek için, doldurulabilir bataryayı ısıdan uzak tutun (örneğin güneş ışınlarından, alevden, sudan, nemden, vb.).
- 1.2.23. Tehlikeli aşırı yüklemeleri önlemek için bu ısıtıcıyla yalnızca özel doldurulabilir batarya kullanın.
- 1.2.24. Yalnızca orijinal bataryaları ısıtıcının teknik veri tabelasında belirtilen gerilimle kullanın. Diğer doldurula-

bilir bataryaların kullanımı sırasında (örneğin imitasyon bataryalar, rejenere edilmiş bataryalar, rakip firmaların bataryaları, vb.) yaralanma ve/veya patlama tehlikesi vardır.

- ▶ 1.2.25. Doldurulabilir bataryayı yalnızca orijinal şarj aletiyle doldurun. Yangın ve patlama riskini önlemek için her batarya özel şarj aleti gerektirir.
- ▶ 1.2.26. Yalnızca bu kılavuzda öngörülen elektrik beslemesi modunu kullanın. Ciddi hasarları önlemek için işlemde olan ısıtıcıda güç beslemesi modunu değiştirmeyin.
- ▶ 1.2.27. Isıtıcı termostat üzerinden yönetildiğinde veya kablolu elektrik güç kaynağından batarya beslemesine geçtiğinde, ısıtıcı kapanıp stand-by moduna geçebilir (ekranda “[]” işareti belirir), ısıtıcı herhangi bir anda yeniden çalışmaya başlayabileceği ve eşya veya kişilere ağır zararlar verebileceği için azami dikkat gösterin.

▶▶2. AMBALAJ AÇMA

Bakınız Şek. 1

- ▶ 2.1. Isıtıcıyı paketlemek ve göndermek için kullanılan tüm ambalaj malzemelerini kaldırın ve geçerli kanunlara göre ortadan kaldırın.
- ▶ 2.2. Tüm parçaları ambalajdan çıkartın.
- ▶ 2.3. Taşıma sırasında oluşabilecek olası hasarları kontrol edin. Eğer ısıtıcı hasarlı görünüyorsa, derhal satın alındığı acentayı bilgilendirin.

▶▶3. PARÇALARIN AÇIKLAMASI

▶ 3.1. ELEKTRİK KABLOSU (mevcut olduğu yerde): ELEKTRİK KABLOSU BATARYA ŞARJ ALETİ FONKSİYONUNA SAHİP DEĞİLDİR.

(Şek. 5) Isıtıcı, elektrik kablosu ile elektrik şebekesine bağlı çalışabilir. Ciddi hasarları önlemek için elektrik kablosunun durumunu periyodik olarak kontrol edin. İşbu kılavuzda belirtilen elektrik kablosu ile ilgili tüm uyarılara uyun.

▶ 3.2. BATARYA (mevcut olduğu yerde):

(Şek. 6)

NOT: BATARYANIN KAPASİTESİNE GÖRE (Ah İLE ÖLÇÜLÜR) ORJİNAL VE UYGUN GÜÇTE BİR BATARYA ŞARJ ALETİ KULLANILMASI GEREKLİDİR.

Isıtıcı, elektrik şebekesine bağlı olmak zorunda olmadan, Li-ion(Lityum iyon) orijinal doldurulabilir bir batarya ile otomatik şekilde çalışabilir. Doldurulabilir batarya kısmen yüklü olarak verilir ve bu nedenle bataryanın kullanımından önce tam bir şarj tavsiye edilir. Isıtıcıyı beslemek için yalnızca orijinal bataryaları kullanın. İşbu kılavuzda belirtilen bataryalarla ilgili tüm uyarılara uyun.

▶ 3.3. ŞARJ ALETİ (mevcut olduğu yerde):

(Şek. 7) Şarj aleti, orijinal Li-ion bataryaları doldurmak için tasarlanmıştır. Şarj aletinin çalışma parametrelerine uymak gereklidir (şarj aletine takılmış veri plakasına bakın). Güç besleyicisini, bu ısıtıcıyı beslemek için yalnızca orijinal doldurulabilir bataryaları doldurmak için tamamen kuru ve tozdan korunmuş yerlerde kullanın. Şarj aleti, doldurulabilir batarya bağlandığında doğru doldurma devrini otomatikte kullanmak için tasarlanmıştır. (Şek. 8). Şarj aleti üzerinde bulunan ışıklı bir göstergesi, bataryanın arama aşamasında detaylı bir teşhis yapılmasına olanak verir. (Şek. 9). İşbu kılavuzda belirtilen şarj aletiyle ilgili tüm uyarılara uyun.

▶▶4. YAKIT

UYARI: Jeneratör yalnız DİZEL veya KEROSEN ile çalışır.

Yangın veya patlama risklerini önlemek için yalnızca dizel veya kerosen kullanın. Asla benzin, petrol, vernikler için çözücüler, alkol veya diğer yüksek yanıcılık özelliğine sahip yakıtları kullanmayın.

Çok düşük ısılarda zehirli olmayan antifriz katkıları kullanın.

▶▶5. İŞLEYİŞ PRENSİPLERİ

Bakınız Şek. 2

Doğru bir yanmayı garantileyecek gerekli hava brülör içindeki bir fanın rotasyonu ile üretilir. Hava akışı brülörün manşonundan çıkar ve yüksek basınçlı bir nozül ile tozlaştırılan yakıt ile karışır. Nozül tarafından tozlaştırılmış yakıt, yakıtı depodan emen ve yüksek basınçla nozüle doğru iten bir elektrik pompası ile temin edilir.

▶▶6. İŞLEYİŞ

UYARI: Isıtıcıyı çalıştırmadan önce “GÜVENLİK ÜZERİNE BİLGİLER” bölümünü dikkatle okuyun.

ÖNEMLİ: Isıtıcının gerçekleşmeyen ilk çalıştırmadan sonra, depoda yakıt olup olmadığını kontrol edin, yakıt filtresinin temiz olduğunu kontrol edin ve ısıtıcının düz ve sabit bir yüzeye yerleştirildiğini kontrol edin.

ÖNEMLİ: Bu cihaz kırmızı ötesi bir ısıtıcıdır. Havayı değil nesnelere ısıtır.

ÖNEMLİ: Bataryadan elektrığe ya da tam tersi güç kaynağı tipini değiştirmek için, ağır hasarları önlemek üzere tüm prosedürü dikkatle izleyerek ısıtıcıyı kapatın.

▶ 6.1. ISITICININ ÇALIŞTIRILMASI:

- ▶ 6.1.1. Güvenliğe ilişkin tüm talimatları izleyin.
- ▶ 6.1.2. Depoda yakıt mevcudiyetini kontrol edin.
- ▶ 6.1.3. Deponun kapağını kapatın.
- ▶ 6.1.4. Elektrik fişini elektrik şebekesine veya dolu bataryaya bağlayın (VOLTAJ İÇİN “TEKNİK VERİLER TABLOSUNA” BAKIN) (Şek. 10-11).
- ▶ 6.1.5 “ON/OFF” düğmesini “ON” (I) pozisyonuna getirin (A Şek. 3). Isıtıcı birkaç saniye içinde çalışacaktır. Eğer ısıtıcı çalışmıyorsa sorun belirleme paragrafına danışın (Parag. 10).

NOT: YAKIT TÜKENMESİNE BAĞLI ISITICI KAPANMASI DURUMUNDA, ISITICIYI KAPATIN, DEPOYU DOLDURUN VE ISITICIYI TEKRAR ÇALIŞTIRIN (BAKIN PARAG. 5.1.).

▶ 6.2. ISITICININ KAPATILMASI:

DİKKAT: ISITICI TAMAMEN SOĞUYANA KADAR (yaklaşık 5 dk.) GERİLİMİ KESMEYİN VEYA ELEKTRİK KABLOSUNU ÇIKARMAYIN YA DA BATARYAYI ÇIKARMAYIN.

- ▶ 6.2.1. “ON/OFF” düğmesini “OFF” (0) pozisyonuna getirin (A Şek. 3).

► 6.3. ODA TERMOSTATI BAĞLANTISI (opsiyonel):

DİKKAT: ODA TERMOSTATI (OPSİYONEL) YALNIZ ISITICI ELEKTRİK KABLOSU İLE BESLENDİĞİNDE ÇALIŞIR.

DİKKAT: ISITICI ODA TERMOSTATI (OPSİYONEL) ÜZERİNDEN YÖNETİLDİĞİNDE, ISITICININ ÇALIŞMASI VE KAPANMASI OTOMATİKTİR.

Cihaza bağlı olan tıpayı çıkarıp oda termostatını (isteğe bağlı) bağlayın (C Şek. 3).

►► 7. YAKIT FİLTRESİ TEMİZLİĞİ

Bakınız Şek. 4

KULLANILAN YAKITIN KALİTESİNE GÖRE FİLTRELERİN TEMİZLİĞİ GEREKEBİLİR.

- 7.1. Depo üzerine yerleştirilmiş kapağı kaldırın (A Şek. 4).
- 7.2. Filtreyi depodan çıkarın.
- 7.3. Somunu sökün (B Şek. 4).
- 7.4. Filtreyi çekip alın (C Şek. 4).
- 7.5. Zarar vermemeye dikkat ederek temiz yakıtla filtreyi temizleyin.
- 7.6. Depoya filtreyi yeniden monte edin.

►► 8. SAKLAMA VE NAKLİYE

ISITICIYI DAHA İYİ SAKLAMAK VE/VEYA NAKLETMEK İÇİN AŞAĞIDAKİ PROSEDÜRÜN İZLENMESİ TAVSİYE EDİLİR:

- 8.1. Depodaki yakıtı boşaltın.
- 8.2. Artıkların görülmesi durumunda, depoya temiz kayıt dökün ve yeniden boşaltın.
- 8.3. Deponun tapası kapatın ve yakıtı geçerli kanunlara göre ve uygun şekilde tasviye edin.
- 8.4. Isıtıcıyı daha iyi saklamak için, yakıt sızıntısına karşı düz bir pozisyonda tutmak ve dış koşullardan korunaklı ve kuru bir yerde saklamak tavsiye edilir.

►► 9. EKCRAN HATALARI

Bakınız B Şek. 3

HATA	NEDENİ	ÇÖZÜMÜ
İŞLETİM HATASI		
F0	1. Jeneratör elektrik şebekesine bağlanırken "ON/OFF" düğmesi "ON" (I) konumunda	1. Jeneratörün elektrik şebekesi ile bağlantısını kestikten sonra, düğmeyi "OFF" (0) konumuna getirin, fişi tekrar takın ve düğmeyi "ON" (I) konumuna getirin
FOTOSEL HATASI		
F1	1. Yakıt yetersiz 2. Yakıt kirli 3. Fotosel kirli veya kusurlu 4. Yakıt filtresi kirli 5. Ateşleme hatası	1. Düğmeyi "OFF" (0) konumuna getirip depoya yakıt doldurun 2. Düğmeyi "OFF" (0) konumuna getirin, depoyu boşaltıp yakıt doldurun (BKZ. PARAG. 6) 3. Teknik servise başvurun 4. BKZ. PARAG. 6 5. Teknik servise başvurun
SICAKLIK KONTROL SENSÖRÜ HATASI		
F2	1. Kablo bağlı değil 2. Sensör kusurlu	1. Teknik servise başvurun 2. Teknik servise başvurun
TERMOSTAT HATASI		
F3	1. Jeneratörün iç kısmında aşırı ısınma 2. Devrilme sensörü	1. Jeneratörü kapatıp tamamen soğumasını bekleyin 2. Isıtıcıyı düz ve sağlam bir yüzeye yerleştirin
UYGUN OLMAYAN GERİLİM		
F4	1. Uygun olmayan gerilim	1. Tesisatınızın doğru gerilimini kontrol edin
ÜÇ DENEMEDE ÇALIŞTIRMA BAŞARISIZ		
FF	1. Yakıt yok 2. Yakıt filtresi kirli 3. Fotosel kirli veya arızalı 4. Ağız kirli veya arızalı 5. Devrilme önleyici sensör işlemi	1. Teknik servise başvurun 2. Teknik servise başvurun 3. Teknik servise başvurun 4. Teknik servise başvurun 5. Teknik servise başvurun
BATARYA BOŞ		
PF	1. Batarya boş	1. Bataryayı doldurun
ISITICI STAND-BY HALİNDE		
[]	1. Termostat bağlı 2. Elektrik kablosundan bataryaya geçiş	1. Ayarlanan termostat sıcaklığı oda sıcaklığının altında 2. Otomatik ateşleme

►► 10. YILLIK BAKIM PROGRAMI

UYARI: HERHANGİ BİR BAKIM VEYA TAMİR YAPMADAN ÖNCE GÜÇ KABLOSUNU ELEKTRİK ŞEBEKE-SİNDEN ÇIKARIN VE JENERATÖRÜN SOĞUK OLDUĞUNDAN EMİN OLUN.

EĞER ÇOK TOZLU ORTAMLARDA ISITICI KULLANILIRSA, DAHA SIK BAKIM VE TEMİZLİK İŞLEMİ GER-ÇEKLEŞTİRMEK GEREKLİDİR.

AKSAM	BAKIM SIKLIĞI	BAKIM PROSEDÜRÜ
Yakıt deposu	Her 150-200 saatlik çalışma sonrasında veya gerektiğinde temizleyin	Depoyu boşaltın ve temiz yakıt ile çalkalayın
Nozul	Her sezonda bir veya gerektiğinde temizleyin veya değiştirin	Teknik servise başvurun
Fotosel	Her sezonda bir veya gerektiğinde temizleyin	Teknik servise başvurun
Yakıt filtresi	Her çalışma döneminde iki kez bir veya gerektiğinde temizleyin veya değiştirin	Filtreyi temiz yakıt ile temizleyin
Ateşleyici	Her 1.000 saatlik çalışma sonrasında veya gerektiğinde temizleyin veya değiştirin	Teknik servise başvurun
Fan kanatları	Gerektiğinde temizleyin	Teknik servise başvurun

►► 11. PROBLEMİN SAPTANMASI

PROBLEM	OLASI NEDEN	OLASI ÇÖZÜM
Jeneratör çalışmıyor	1. Jeneratör bloke oldu 2. Düğme "OFF" (0) konumunda 3. Gerilim yok 4. Güç kablosu çıkmış 5. Kontrol kartı bloke oldu 6. Oda termostatının ayarı hatalı 7. Sıcaklık sensörü limit termostati devreye girdi 8. Sigorta arızalı	1. Jeneratörü kapatıp tekrar çalıştırın 2. Düğmeyi "ON" (I) konumuna getirin 3A. Güç kablosunu elektrik prizine doğru şekilde takın 3B. Şebeke tesisatını kontrol edin 3C. Teknik servise başvurun 3D. Batarya boş 4. Teknik servise başvurun 5A. Jeneratörü kapatıp tekrar çalıştırın 5B. Ekranda hatayı tespit edin 5C. Teknik servise başvurun 6. Oda termostatını, çalışma ortamı sıcaklığının üzerinde bir değere getirin 7A. En az on dakika bekleyin ve tekrar çalıştırın 7B. Teknik servise başvurun 8. Teknik servise başvurun
Motor/pompa çalışıyor fakat alev tetiklenmiyor	1. Yakıt yetersiz 2. Ateşleyici kirlili 3. Yakıt filtresi kirlili 4. Nozul kirlili 5. Fotosel kirlili, kusurlu veya doğru şekilde yerleştirilmemiş 6. Depoda yabancı maddeler mevcut 7. Elektrotlar yıpranmış veya mesafeleri hatalı	1. Jeneratörü kapatın, depoyu yakıtla doldurup tekrar çalıştırın 2. Teknik servise başvurun 3. Filtreyi temiz yakıt ile temizleyin 4. Teknik servise başvurun 5. Teknik servise başvurun 6. Depoyu boşaltın ve temiz yakıt ile doldurun 7. Teknik servise başvurun
Fan bloke oldu veya yavaş dönüyor	1. Motor arızalı	1. Teknik servise başvurun

VAŽNO: PROČITAJTE OVE UPUTE PRIJE MONTAŽE, UPORABE ILI ODRŽAVANJA GENERATORA. NEPRAVILNA UPORABA MOŽE UZROKOVATI OPASNE OZLJEDE. POHRANJITE OVE UPUTE ZA KASNIJU KONZULTACIJU.

▶▶ 1. INFORMACIJE O SIGURNOSTI (UPOZORENJA)



VAŽNO: Ovaj grijač zraka je izrađen za pokretne i privremene profesionalne uporabe. Nije izrađen za uporabu u kućanstvu niti za toplinsku udobnost ljudi. **VAŽNO:** Ovaj aparat nije namijenjen korištenju od strane osoba (uključujući i djecu) koje imaju smanjene fizičke, senzorne i mentalne sposobnosti osim u slučaju da ih nadgleda osoba odgovorna za njihovu bezbjednost. Morate kontrolirati djecu da se ne bi igrala sa aparatom.



OPASNOST: Gušenje ugljen-monoksidom može da bude pogubno.



OPASNOST: Gušenje ugljen-monoksidom može da bude pogubno.

Prvi simptomi gušenja ugljičnim monoksidom slični su simptomima gripe, sa pojavom glavobolje, vrtoglavice i/ili mučnine. Takve simptome može prouzročiti nepravilan rad grijača. **U SLUČAJU POJAVE OVIH SIMPTOMA, ODMAH IZADITE NA OTVORENI PROSTOR** i popravite grijač u servisnoj službi.

1.1. SNABDIJEVANJE:

- ▶ 1.1.1. Osoblje zaduženo za snabdijevanje mora biti kvalificirano i u potpunosti upoznato sa uputstvima proizvođača kao i propisima na snazi u odnosu na pravilno snabdijevanje grijača.
- ▶ 1.1.2. Koristite isključivo vrstu goriva koja se jasno navodi na identifikacionoj pločici grijača.
- ▶ 1.1.3. Prije nego što snabdijete grijalicu, isključite je i sačekajte da se ohladi.
- ▶ 1.1.4. Cisterne za skladištenje goriva se moraju nalaziti u posebnom objektu.
- ▶ 1.1.5. Svi se rezervoari sa gorivom moraju nalaziti na minimalnoj bezbjednosnoj udaljenosti u odnosu na grijač, u skladu sa bezbjednosnim propisima.
- ▶ 1.1.6. Gorivo se mora čuvati u prostorijama čiji pod ne dopušta prodiranje ili kapanje istog na plamen ispod podloge, čime bi moglo doći do zapaljenja.
- ▶ 1.1.7. Čuvanje goriva se mora obaviti u skladu sa propisima na snazi.

1.2. BEZBJEDNOST:

- ▶ 1.2.1. Nemojte nikada koristiti grijač u prostorijama u kojima ima benzina, rastvarača za lakove ili druge visoko zapaljive pare.
- ▶ 1.2.2. Za vrijeme uporabe grijača, pridržavati se svih važećih lokalnih i državnih propisa.
- ▶ 1.2.3. Grijači koji se koriste u blizini cerada, zavjesa ili drugih sličnih materijala za pokrivanje se moraju postaviti na bezbjednosnu udaljenost od istih. Savjetuje se također i uporaba protupožarnih materijala za pokrivanje.
- ▶ 1.2.4. Koristite samo u dobro provjetrenim prostorima. Pripremite prikladan otvor u skladu sa propisima na snazi u cilju uvođenja svježeg zraka izvana.
- ▶ 1.2.5. Napajati grijač isključivo strujom s naponom i frekvencijom navedenim na identifikacionoj pločici grijača.
- ▶ 1.2.6. Koristiti isključivo trožičane produžetke koji su prikladno spojeni na uzemljenje.

- ▶ 1.2.7. Minimalne bezbjednosne udaljenosti koje se savjetuju između grijača i zapaljivih stvari su: prednji izlaz = 2,5 m (8 ft); bočno, gore i natrag = 1,5 m (5 ft).
- ▶ 1.2.8. Stavite topli grijač ili kada radi na stabilnu i dobro izravnatu površinu na način da se onemogući rizik od požara.
- ▶ 1.2.9. Potrebno je držati životinje na sigurnosnoj udaljenosti od grijača.
- ▶ 1.2.10. Iskopčati napajanje iz baterije grijača kada se ne koristi.
- ▶ 1.2.11. Kada termostat kontrolira grijač, on se može uključiti u bilo koje vrijeme.
- ▶ 1.2.12. Nikada ne koristite grijač u prostorijama u kojima se često stanuje, niti u spavaćim sobama.
- ▶ 1.2.13. Kada je grijač topao ili povezan na električnu mrežu ili dok radi s napajanjem na baterije, ne smije se nikada pomicati, njime se ne smije rukovati niti izvoditi održavanje.
- ▶ 1.2.14. Održavati prikladnu udaljenost od zapaljivih materijala ili onih nepostojanih na toplinu (uključujući i kabel za napajanje) od vrućih dijelova grijača.
- ▶ 1.2.15. Ako su kabl za napajanje ili baterija oštećeni, iste mora zamijeniti tehnička služba za potporu radi sprečavanja bilo kojeg rizika (zbrinuti oštećeni materijal sukladno važećem propisu).
- ▶ 1.2.16. Uvjeriti se da je grijač isključen prije povezivanja kabla za napajanje i/ili stavljanja baterije za punjenje, radi sprečavanja bilo kojeg rizika.
- ▶ 1.2.17. Koristiti samo i isključivo originalne baterije predviđene za punjenje. Upotreba nepredviđenih baterija za punjenje može prouzročiti oštećenja ili smrtnu opasnost na štetu ljudi, te ozljede, opekotine, eksplozije, strujni udar ili trovanje.
- ▶ 1.2.18. Održavati odgovarajuću udaljenost između isključene baterije za punjenje i spjalica, kovanica, ključeva, čavli, vijaka ili drugih malih metalnih predmeta koji bi mogli prouzročiti kratki spoj. Eventualni kratki spoj između kontakata baterije za punjenje može prouzročiti oštećenja ili smrtnu opasnost na teret ljudi, te ozljede, opekotine, eksplozije, itd ..
- ▶ 1.2.19. Nepravilna uporaba baterije za punjenje može prouzročiti ispuštanje tekućine iz baterije. Apsolutno izbjegavati svaki kontakt. U slučaju slučajnog kontakta, odmah dobro isprati vodom. Odmah potražiti liječničku pomoć ako tekućina dođe u kontakt s očima. Tekućina koja je izašla iz baterije za punjenje može prouzročiti nadražaj kože ili opekotine.
- ▶ 1.2.20. Nepravilna uporaba baterije za punjenje može prouzročiti ispuštanje para iz baterije. Apsolutno izbjegavati udisanje ovih para. Omogućiti ulazak svježeg zraka u slučaju slučajnog udisanja, te se obratiti liječniku u slučaju problema. Pare mogu izazvati nadražaje dišnog trakta.
- ▶ 1.2.21. Radi sprečavanja ozbiljnog rizika ne pokušavati otvoriti/rastaviti bateriju za punjenje.
- ▶ 1.2.22. Radi sprečavanja ozbiljnog rizika, zaštititi bateriju za punjenje od topline (na primjer od neprekidnog izlaganja sunčevim zrakama, od vatre, vode, vlage itd.).
- ▶ 1.2.23. Koristiti namjensku bateriju za punjenje isključivo s ovim grijačem radi izbjegavanja opasnog preopterećenje.
- ▶ 1.2.24. Koristiti isključivo originalne baterije za punjenje s naponom navedenim na pločici s tehničkim podacima grijača. U slučaju upotrebe drugih baterija za punjenje

(na primjer ne originalnih, regeneriranih, konkurentnih, itd.) postoji opasnost od ozljeda i/ili eksplozije.

- ▶ 1.2.25. Napuniti bateriju za punjenje samo i isključivo s originalnim punjačem baterija. Svaka baterija mora imati specifični punjač baterija kako bi se spriječio rizik od požara i eksplozije.
- ▶ 1.2.26. Koristiti isključivo načine električnog napajanja predviđene ovim priručnikom. Zabranjeno je mijenjati način napajanja grijača tijekom rada kako bi se izbjegla teška oštećenja.
- ▶ 1.2.27. Kada grijačem upravlja termostat ili kod prelaska s napajanja preko kabla električne energije na napajanje na bateriju, grijač bi se mogao isključiti i ući u način stand-by/na čekanju (na zaslonu se pojavljuje oznaka „[]“), izrazito paziti jer bi se grijač mogao automatski ponovno uključiti u bilo kojem trenutku i mogao bi izazvati teška oštećenja na teret predmeta ili osoba.

▶▶ 2. UKLANJANJE AMBALAŽE

Vidi Sl. 1

- ▶ 2.1. Ukloniti sav ambalažni materijal korišten za pakiranje i isporuku grijača i odložiti ga prema važećim propisima.
- ▶ 2.2. Izvaditi sve artikle iz pakiranja.
- ▶ 2.3. Provjeriti eventualne štete nastale tijekom prijetoza. Ako je grijač oštećen, odmah obavijestiti trgovca kod kojeg je isti kupljen.

▶▶ 3. OPIS PROIZVODA

▶ 3.1. KABL ZA NAPAŽANJE (tamo gdje je prisutan):

KABL ZA NAPAŽANJE NEMA FUNKCIJU PUNJAČA BATERIJA.

(Sl. 5) Grijač može raditi ako se spoji na električnu mrežu kablom za napajanje. Povremeno provjeriti stanje kabla radi sprečavanja teških oštećenja. Pridržavati se svih upozorenja koja se odnose na kabl za napajanje navedenih u ovom priručniku.

▶ 3.2. BATERIJA (tamo gdje je prisutna):

(Sl. 6)

BILJEŠKE: OVISNO O KAPACITETU BATERIJE (IZMJEREN U Ah) POTREBNO JE KORISTITI ORIGINALNI PUNJAČ BATERIJA I ODGOVARAJUĆU SNAGU.

Grijač može samostalno raditi s originalnom baterijom za punjenje Li-ion bez potrebe spajanja na električnu mrežu. Baterija za punjenje je isporučena djelomično napunjena pa se stoga savjetuje da se izvrši potpuni ciklus punjenja prije nego se započne s upotrebom baterije. Koristiti samo originalne baterije za napajanje grijača. Poštivati sva upozorenja navedena u ovom priručniku koja se odnose na bateriju.

▶ 3.3. PUNJAČ BATERIJA (tamo gdje je prisutan):

(Sl. 7) Punjač baterija je dizajniran za punjenje originalnih baterija Li-on. Poštovati parametre rada punjača baterija (vidi pločicu postavljenu na punjaču baterija) Koristiti punjač baterija na suhim mjestima zaštićenim od prašine, za punjenje isključivo originalnih baterija za punjenje koje se mogu koristiti za napajanje ovog grijača. Punjač baterija je dizajniran da automatski obavi ciklus punjenja kada se na njega priključi baterija za punjenje. (Sl. 8). Signalna lampica postavljena na punjač baterije omogućuje detaljnu dijagnostiku tijekom faze pretraživanja (Sl. 9). Poštivati sva upozorenja navedena u ovom priručniku koja se odnose na punjač baterija.

▶▶ 4. GORIVO

UPOZORENJE: Grijač radi samo na DIZEL ili KEROZIN.

Koristite samo diesel ili kerozin da se izbjegne opasnost od požara ili eksplozije. Nikada ne koristite benzin, ulje, otapala za boje, alkohol ili druga visoko zapaljiva goriva. Koristite netoksični antifriz agent u slučaju vrlo niskih temperatura.

▶▶ 5. PRINCIP RADA

Vidi Sl. 2

Zrak koji je potreban za osiguranje pravilnog izgaranja. proizvodi vrtnja ventilatora unutar plamenika. Protok zraka izlazi iz cilindrične cijevi plamenika i miješa se s gorivom kojeg raspršava sapnica pod visokim tlakom. Gorivo koje raspršava sapnica osigurava električna crpka koja usisava gorivo iz spremnika i gura ga pod visokim tlakom prema sapnici.

▶▶ 6. RADU

UPOZORENJE: Pažljivo pročitajte "INFORMACIJE O BEZBJEDNOSTI", prije nego što uključite grijač.

VAŽNO: Nakon prvog neuspjelog uključivanja grijača, provjerite da u spremniku ima goriva, provjerite da je filter za gorivo čist i provjerite da je grijač postavljen na ravnu i stabilnu površinu.

VAŽNO: Ovaj uređaj je infracrveni uređaj za grijanje. Grije predmete a ne zrak.

VAŽNO: Za promjenu vrste električnog napajanja s baterije na kabl i obratno, isključiti grijač i strogo se pridržavati procedure radi izbjegavanja teških oštećenja.

▶ 6.1. UKLJUČENJE GRIJAČA:

- ▶ 6.1.1. Pridržavajte se uputstava koja se odnose na bezbjednost.
- ▶ 6.1.2. Provjerite ima li goriva u rezervoaru.
- ▶ 6.1.3. Zatvorite čep spremnika.
- ▶ 6.1.4. Povezati utičnicu za napajanje na električnu mrežu ili punu bateriju (VIDI NAPON U „TABLICA S TEHNIČKIM PODACIMA“) (Sl. 10-11).
- ▶ 6.1.5. Postaviti prekidač „ON/OFF“ (UKLJUČENO/ ISKLJUČENO) na položaj „ON“ (I) (A Sl. 3). Grijač se mora uključiti u roku od nekoliko sekunda. Ako se grijač ne pokrene, osloniti se na odjeljak za prepoznavanje problema (Odj. 10).

NAPOMENA: U SLUČAJU ISKLJUČENJA GRIJAČA ZBOG NEDOSTATKA GORIVA, ISKLJUČITI GRIJAČ, NAPUNITI SPREMNİK I PONOVRNO UKLJUČITI GRIJAČ (VIDI ODJ. 5.1.).

▶ 6.2. ISKLJUČENJE GRIJAČA:

PAŽNJA: NE ISKLJUČIVATI NAPON ILI ISKOPČAVATI KABL ZA NAPAŽANJE ILI UKLANJATI BATERIJU SVE DO POTPUNOG HLAĐENJA GRIJAČA (otprilike 5 min.).

- ▶ 6.2.1. Postaviti prekidač „ON/OFF“ (UKLJUČENO/ ISKLJUČENO) na položaj „OFF“ (0) (A Sl. 3).

► 6.3. POVEZIVANJE PROSTORNOG TERMOSTATA (opcija):

PAŽNJA: PROSTORNI TERMOSTAT (OPCIJA) RADI SAMO KADA SE GRIJAČ NAPAJA KABLOM ZA NAPAJANJE.

PAŽNJA: KADA GRIJAČEM UPRAVLJA PROSTORNI TERMOSTAT (OPCIJA), ISKLJUČIVANJE I UKLJUČIVANJE GRIJAČA JE AUTOMATSKO.

Ukloniti čep povezan na grijač i povezati prostorni termostat (opcija) (C Sl. 3).

►► 7. ČIŠĆENJE FILTRA ZA GORIVO

Vidi Sl. 4

OVISNO O KVALITETI KORIŠTENOG GORIVA, MOŽE BITI NUŽNO ČIŠĆENJE FILTRA.

- 7.1. Ukloniti čep postavljen na spremniku (A Sl. 4).
- 7.2. Izvaditi filter iz spremnika.
- 7.3. Odvrnuti maticu (B Sl. 4).
- 7.4. Izvući filter (C Sl. 4).

- 7.5. Očistiti filter čistim gorivom i pritom paziti da se ne ošteti.
- 7.6. Ponovno postaviti filter u spremnik.

►► 8. ČUVANJE I PRIJEVOZ RADI ŠTO BOLJEG OČUVANJA I/ILI PREVOŽENJA GRIJAČA POŽELJNO SE JE PRIDRŽAVATI SLJEDEĆE PROCEDURE:

- 8.1. Isprazniti gorivo iz spremnika.
- 8.2. Ako primijetite da na dnu ima ostataka, uliti čisto gorivo u spremnik i ponovno ga izliti.
- 8.3. Zatvoriti čep spremnika i zbrinuti gorivo na odgovarajući način sukladno važećim propisima.
- 8.4. Radi što boljeg očuvanja grijača, poželjno ga je držati u ravnom položaju radi izbjegavanja ispuštanja goriva te čuvati na suhom mjestu, zaštićenog od mogućih vanjskih oštećenja.

►► 9. POGREŠKE ZASLONA

Vidi B Sl. 3

POGREŠKA	UZROK	RJEŠENJE
OPERATIVNA POGREŠKA		
F0	1. Prekidač "ON/OFF" je u položaju "ON" (I) kada je generator spojen na napajanje	1. Nakon odspajanja generatora od električne mreže postavite prekidač u "OFF" položaj (0), ponovo priključite na mrežu i postavite prekidač u "ON" položaj (I)
POGREŠKA FOTOČELIJE		
F1	1. Nema goriva 2. Kontaminirano gorivo 3. Prljava ili oštećena fotočelija 4. Prljav filter goriva 5. Pogreška paljenja	1. Stavite prekidač u "OFF" položaj (0), napunite spremnik za gorivo 2. Stavite prekidač u "OFF" položaju (0) ispraznite spremnik a zatim ponovo napunite spremnik za gorivo. Očistite filter čistim gorivom, paziteći da se ne ošteti (VIDI ODJELAK. 6) 3. Pitajte centar za potporu 4. VIDI ODJELAK. 6 5. Pitajte centar za potporu
POGREŠKA SENZORA ZA KONTROLU TEMPERATURE		
F2	1. Kabl prekinut 2. Oštećen senzor	1. Pitajte centar za potporu 2. Pitajte centar za potporu
POGREŠKA TERMOSTATA		
F3	1. Unutarnje pregrijavanje generatora 2. Senzor protiv prevrtanja	1. Isključite generator i pričekajte da se potpuno ohladi 2. Postavite peč na stabilnu i ravnu površinu
NEPRIKLADAN NAPON		
F4	1. Neprikladan napon	1. Provjerite pravilan napon vašeg uređaja
IZOSTANAK UKLJUČIVANJA NAKON TRI POKUŠAJA		
FF	1. Nema goriva 2. Filter za gorivo prljav 3. Fotočelija prljava ili neispravna 4. Štrcaljka prljava ili neispravna 5. Uključio se senzor protiv nagiba	1. Pitajte centar za potporu 2. Pitajte centar za potporu 3. Pitajte centar za potporu 4. Pitajte centar za potporu 5. Pitajte centar za potporu
PRAZNA BATERIJA		
PF	1. Prazna baterija	1. Napuniti bateriju
GRIJAČ U NAČINU STAND-BY (NA ČEKANJU)		
[]	1. Termostat povezan 2. Prijelaz s napajanja kablom na napajanje baterijom	1. Temperatura termostata postavljena ispod prostorne temperature 2. Ponovno automatsko uključivanje

►► 10. RASPORED PREVENTIVNOG ODRŽAVANJA

NAPOMENA: PRIJE BILO KOJEG ODRŽAVANJA ILI POPRAVKA, ODSPOJITE NAPOJNI KABEL I UVJERITE SE DA JE GENERATOR POTPUNO HLADAN.

AKO SE GRIJAČ KORISTI U POSEBNO PRAŠNJAVIM OKRUŽENJIMA, POTREBNO JE ČEŠĆE ODRŽAVANJE I ČIŠĆENJE.


ELEMENT	FREKVENCIJA ODRŽAVANJA	POSTUPAK ODRŽAVANJA
Spremnik goriva	Čistite svakih 150-200 godzin rada ili po potrebi	Ispraznite i isperite spremnik koristeći čisto gorivo
Mlaznica	Očistite ili zamjenite jednom tijekom sezone ili po potrebi	Pitajte centar za potporu
Fotoćelija	Očistite jednom tijekom sezone ili po potrebi	Pitajte centar za potporu
Filter goriva	Očistite ili zamjenite dva puta tijekom sezone ili pom potrebi	Očistite filter goriva koristeći čisto gorivo
Uređaj za paljenje	Očistite ili zamjenite svakih 1.000 sati rada ili po potrebi	Pitajte centar za potporu
Lopatice rotora	Očistite po potrebi	Pitajte centar za potporu


►► 11. IDENTIFIKACIJA PROBLEMA


PROBLEM	MOGUĆI UZROK	MOGUĆE RJEŠENJE
Generator neće započeti s radom	<ol style="list-style-type: none">1. Blokiran generator2. Prekidač je u "OFF" položaju (0)3. Nema napona4. Odspojen kabel za napajanje5. Blokirana kontrolna kartica6. Nepravilno postavljenje sobnog termostata7. Interwencija senzora za temperaturu8. Oštećen osigurač	<ol style="list-style-type: none">1. Isključiti i ponovo uključiti generator2. Prekidač staviti u "ON" poziciju (I)3A. Na ispravan način stavite kabel za napajanje u utičnicu3B. Provjerite električnu mrežu3C. Pitajte centar za potporu3D. Prazna baterija4. Pitajte centar za potporu5A. Isključite i ponovo uključite generator5B. Identificirajte pogreške na zaslonu5C. Pitajte centar za potporu6. Regulirajte sobni termostat, postavljanjem više temperature nego teško temperatura radne okoline7A. Pričekajte najmanje 10 minuta a zatim ponovo probajte ići do faze paljenja7B. Pitajte centar za potporu8. Pitajte centar za potporu
Motor/pumpa se uključuje ali plamen se ne pali	<ol style="list-style-type: none">1. Nema goriva2. Prljav uređaj za paljenje3. Prljavi filter goriva4. Kontaminirana mlaznica5. Kontaminirana ili nepravilno montirana fotoćelija6. Prisutnost stranih tvari u spremniku7. Istrošene ili postavljene u nepravilnoj udaljenosti elektrode	<ol style="list-style-type: none">1. Isključiti generator, napuniti spremnik gorivom i ponovo uključiti generator2. Pitajte centar za potporu3. Očistite filter pomoću čistog goriva4. Pitajte centar za potporu5. Pitajte centar za potporu6. Ispraznite i ponovo napunite spremnik čistim gorivom7. Pitajte centar za potporu
Rotor je blokiran ili presporo se okreće	<ol style="list-style-type: none">1. Oštećen motor	<ol style="list-style-type: none">1. Pitajte centar za potporu

SVARBU: PRIEŠ GENERATORIAUS MONTAVIMĄ, ĮJUNGIMĄ ARBA PRIEŽIŪROS DARBUS BŪTINA PERSKAITYTI ŠIĄ INSTRUKCIJĄ. NETINKAMAS GENERATORIAUS NAUDOJIMAS GALI SUKELTI RIMTUS KŪNO SUŽALOJIMUS. ŠIĄ INSTRUKCIJĄ SAUGOKITE TAM, KAD VĒLIAU GALĒTUMĒTE JA VĒL PASINAUDOTI.

►► 1. INFORMACIJA APIE SAUGĄ (IŠPĒJIMAI)

 **SVARBU:** Šis oro šildytuvas yra skirtas naudoti kilnojant ir pagal laikinas profesionalias paskirtis. Jis nėra skirtas buitiniam naudojimui arba siekiant užtikrinti žmogaus šiluminį komfortą.

 **SVARBU:** Šis prietaisas nėra skirtas naudoti asmenims (įskaitant vaikus), turintiems fizinę, jutimo ar protinę negalią, arba neturintiems patirties ir žinių, nebent jie yra prižiūrimi asmens, atsakingo už jų saugumą. Nepalikite vaikų bet priežiūros, kad užtikrinti, jog jie su prietaisu nežaistų.

 **PAVOJUS:** Apsinuodijimas anglies monoksidu gali sukelti mirtį.

Pirmieji dusulio nuo anglies monoksido simptomai panašūs į gripo simptomus: jaučiamas galvos skausmas, svaigimas ir (arba) pykinimas. Šių simptomų priežastis gali būti netinkamai veikiantis šildytuvas. JEI ŠIE SIMPTOMAI PASIREIKŠTŲ, NEDELSdami IŠEIKITE Į LAUKĄ, o šildytuvo taisymą turi atlikti techninės pagalbos centras.

1.1. PRIPILDYMAS DEGALAIS:

- 1.1.1. Personalas, kuriam paskirta pripilti degalų, turi būti kvalifikuotas ir pilnai susipažinęs su gamintojo instrukcija ir galiojančiomis teisinėmis nuostatomis, susijusiomis su saugiu šildytuvų papildymu degalais.
- 1.1.2. Naudokite tik šildytuvo identifikacinėje plokštelėje aiškiai nurodytą degalų tipą.
- 1.1.3. Prieš įpilant degalų, šildytuvą išjunkite ir palaukite kol atvės.
- 1.1.4. Degalų talpyklos turi būti laikomos atskirame patalpose.
- 1.1.5. Visi degalų bakai turi būti mažiausiai saugiu atstumu nuo šildytuvo, pagal galiojančių teisinių nuostatų reikalavimus.
- 1.1.6. Kuras turi būti laikomi patalpose su tokio grindiniu, pro kurį nuvarvėjęs negalėtų prisisunkti ir užsidegti nuo apačioje esančios ugnies.
- 1.1.7. Degalai turi būti sandėliuojami, laikantis galiojančių teisinių nuostatų reikalavimų.

1.2. SAUGUMAS:

- 1.2.1. Niekada nenaudokite šildytuvo patalpose, kuriose yra benzino, dažų tirpiklių ir kitų labai degių dujų.
- 1.2.2. Naudodami šildytuvą, laikykitės visų vietinių taisyklių ir galiojančių reikalavimų.
- 1.2.3. Šildytuvai, naudojami šalia netoliese esančių brezentinių dangų, užuolaidų ar panašių medžiagų apdangalų, turi būti nuo jų saugiu atstumu. Taip pat patariama naudoti ugniai atsparius dangalus.
- 1.2.4. Naudokite tik tinkamai vėdinamose patalpose. Vadovaudamiesi galiojančių teisinių nuostatų reikalavimais, įrenkite angą, kad pro ją galėtų jeiti grynas oras.
- 1.2.5. Šildytuvo maitinimui naudokite tik jo duomenų plokštelėje nurodytas įtampos ir dažnio elektros srovę.
- 1.2.6. Naudokite tik trijų laidų tinkamai įžemintus ilginčius.

- 1.2.7. Mažiausi rekomenduotini saugūs atstumai tarp šildytuvo ir degių medžiagų: priekinis išėjimas = 2,5 m (8 ft); šone, viršuje ir gale = 1,5 m (5 ft).
- 1.2.8. Kad išvengti gaisro rizikos, karštą ar veikiantį šildytuvą statykite ant tvirto ir lygaus paviršiaus.
- 1.2.9. Gyvūnus laikykite saugiu atstumu nuo šildytuvo.
- 1.2.10. Kai šildytuvas nenaudojamas, išjunkite maitinimą arba ištraukite bateriją.
- 1.2.11. Kai yra valdomas termostato, šildytuvas gali įsijungti bet kuriuo metu.
- 1.2.12. Niekada nenaudokite šildytuvo kambariuose, kuriuose paprastai yra gyvenama ar miegamuosiuose.
- 1.2.13. Šildytuvui įkaitus, kai jis yra prijungtas prie elektros tinklo, maitinamas baterija ir veikia, jo niekada negalima perkelti, imti rankomis, papildyti kuru ar atlikti bet kokius jo priežiūros darbus.
- 1.2.14. Degias ar termolabilias medžiagas (įskaitant maitinamąjį laidą) laikykite atokiai nuo kaitrių šildytuvo dalių.
- 1.2.15. Jei maitinimo laidas arba baterija pažeisti, juos turi pakeisti techninės pagalbos centras, kad būtų išvengta bet kokio pavojaus (šalinkite pažeistą produktą vadovaudamiesi taikomais reglamentais).
- 1.2.16. Kad išvengtumėte bet kokios rizikos, prieš prijungdami maitinimo laidą ir (arba) prieš įstatydami įkraunamą bateriją, įsitikinkite, kad šildytuvas yra išjungtas.
- 1.2.17. Naudokite tik originalias aiškiai nurodytas įkraunamas baterijas. Dėl kitokių nei nurodytos įkraunamų baterijų naudojimo gali būti padaryta žala ar kilti pavojus žmonių gyvybei, galima susižeisti, nudegti, apsinuodyti, gali kilti sprogimas arba nutrenkti elektra.
- 1.2.18. Išlaikykite atitinkamą saugos atstumą tarp atjungtos įkraunamos baterijos ir įtaisų, monetų, raktų, varžtų ir kitų nedidelių metalinių daiktų, dėl kurių gali įvykti trumpasis jungimas. Tarp įkraunamos baterijos kontaktų įvykęs trumpasis jungimas gali padaryti žalos arba sukelti pavojų žmonių gyvybei, sužeisti, nudeginti, sukelti sprogimą ir pan.
- 1.2.19. Dėl netinkamo įkraunamos baterijos naudojimo gali išbėgti baterijos skystis. Jokiu būdu jo nelieskite. Jei netyčia prisilietėte, kruopščiai nuplaukite vandeniu. Jei skysčio pateko į akis, nedelsdami kreipkitės į gydytoją. Iš įkraunamos baterijos ištekėjęs skystis gali sudirginti odą arba nudeginti.
- 1.2.20. Dėl netinkamo įkraunamos baterijos naudojimo iš jos gali išsiskirti garai. Jokiu būdu neįkvėpkite šių garų. Išvėdinkite patalpas, o jei netyčia jų įkvėpėte ir prastai pasijutote, kreipkitės į gydytoją. Garai gali sudirginti kvėpavimo takus.
- 1.2.21. Kad išvengtumėte didelės rizikos, nebandykite atidaryti (išardyti) įkraunamos baterijos.
- 1.2.22. Kad išvengtumėte didelės rizikos, saugokite įkraunamą bateriją nuo kaitros (pavyzdžiui, nuo nuolatinės saulės šviesos, ugnies, vandens, drėgmės ir pan.).
- 1.2.23. Specialią įkraunamą bateriją naudokite tik šiam šildytuvui, kad išvengtumėte pavojingos perkrovos.
- 1.2.24. Naudokite tik originalias ant šildytuvo esančios techninių duomenų plokštelėje nurodytos įtampos įkraunamas baterijas. Jei naudosite kitokias įkraunamas baterijas (pavyzdžiui, pakaitines baterijas, regene-

ruotas ar neoriginalias baterijas ir pan.), iškilus sužeidimų ir (arba) sprogo pavojaus.

- ▶ 1.2.25. Įkraunamą bateriją įkraukite tik originaliais įkrovikliais. Kad būtų išvengta gaisro ir sprogo rizikos, kiekvienai baterijai reikia naudoti specialų įkroviklį.
- ▶ 1.2.26. Naudokite tik šiose naudojimo instrukcijose nurodyto tipo elektros maitinimo režimą. Kad būtų išvengta didelės žalos, draudžiama keisti maitinimo režimą, kai šildytuvas veikia.
- ▶ 1.2.27. Kai šildytuvas valdomas termostatu arba perjungiamas iš maitinimo elektros laidu į maitinimą baterija, šildytuvas gali išsijungti ir pereiti budėjimo režimą (ekrane rodomas signalas „[]“), būkite labai atidūs, nes šildytuvas gali vėl automatiškai bet kuriuo metu įsijungti ir padaryti didelės žalos daiktams ir asmenims.

▶▶ 2. IŠPAKAVIMAS

Žr. Pav. 1

- ▶ 2.1. Pašalinkite visas šildytuvo pakuotei ir siuntimui naudotas pakavimo medžiagas ir jas sutvarkykite pagal galiojančias taisykles.
- ▶ 2.2. Ištraukite visas detales iš pakuotės.
- ▶ 2.3. Patikrinkite, ar gabenant nebuvo padaryta žalos. Jei pastebėjote pažeidimų, nedelsdami apie tai informuokite pardavėją, iš kurio įsigijote įrenginį.

▶▶ 3. DALIŲ APRAŠYMAS

▶ 3.1. MAITINIMO LAIDAS (jei yra):

MAITINIMO LAIDAS NĖRA SKIRTAS BATERIJAI ĮKRAUTI.

(5 Pav.) Šildytuvas veikia prijungtas prie elektros tiekimo tinklo maitinimo laidu. Kad išvengtumėte didelės žalos, periodiškai tikrinkite laido būklę. Laikykitės visų šiose naudojimo instrukcijose nurodytų įspėjimų dėl maitinimo laido.

▶ 3.2. BATERIJA (jei yra):

(6 Pav.)

PASTABOS: ATSIŽVELGIANT Į BATERIJOS TALPĄ (PAMATUOTĄ Ah), REIKIA NAUDOTI ORIGINALŲ IR TINKAMOS GALIOS BATERIJŲ ĮKROVIKLĮ.

Šildytuvas gali veikti ir atskirai su originalia įkraunama ličio jonų baterija ir jo nereikia prijungti prie elektros tinklo. Įkraunama baterija pateikiama dalinai įkrauta, todėl prieš naudojant patariama ją visiškai įkrauti. Šildytuvo maitinimui naudokite tik originalias baterijas. Laikykitės visų šiose naudojimo instrukcijose nurodytų įspėjimų dėl baterijos.

▶ 3.3. BATERIJOS ĮKROVIKLIS (jei yra):

(7 Pav.) Baterijos įkroviklis yra sukurtas originalioms įkraunamoms ličio jonų baterijoms įkrauti. Būtina laikytis baterijos įkroviklio naudojimo nurodymų (žiūrėkite ant įkroviklio esančią duomenų plokštelę). Baterijos įkroviklį naudokite tik visiškai sausose, nuo dulkių apsaugotose vietose ir tik šiam šildytuvui naudojamoms originalioms įkraunamoms baterijoms įkrauti. Baterijos įkroviklis yra sukurtas taip, kad, prijungus įkraunamą bateriją, automatiškai reguliuotų įkrovimo ciklą (8 Pav.). Paieškos fazės metu įspėjamoji lemputė ant baterijos įkroviklio leidžia sekti procesą (9 Pav.). Laikykitės visų šiose naudojimo instrukcijose nurodytų įspėjimų dėl baterijos įkroviklio.

▶▶ 4. DEGALAI

PERSPĖJIMAS: Šildytuvas veikia tik su DYZELINU arba ŽIBALU.

Kad išvengtų gaisro ar sprogo, naudokite tik dyzeliną arba žibalą. Niekada nenaudokite benzino, naftos, dažų tirpiklio, alkoholio ar kitų labai degių degalų. Labai žemos temperatūros atvejais naudokite netoksiškus antifrizo priedus.

▶▶ 5. VEIKIMO PRINCIPAS

Žr. Pav. 2

Tinkamam degimui užtikrinti reikalingas oras sugeneruojamas sukantis degiklio viduje esančiam ventiliatoriui. Oro srautas išteka iš degiklio vamzdelio ir susimaišo su kuru, kuris pulverizuojamas didelio slėgio purkštuku. Kuro pulverizavimas purkštuku užtikrinamas elektriniu siurbliu, kuris siurbia kurą iš bako ir dideliu slėgiu jį stumia į purkštuką.

▶▶ 6. VEIKIMAS

PERSPĖJIMAS: Prieš įjungdami šildytuvą, atidžiai perskaitykite „SAUGUMO INFORMACIJĄ“.

SVARBU: pirmą kartą šildytuvui neįsijungus patikrinkite, ar bake yra kuro, patikrinkite, ar kuro filtras švarus ir patikrinkite, ar šildytuvas yra ant lygaus ir stabilaus paviršiaus.

SVARBU: šis įrenginys yra infraraudonųjų spindulių šildytuvas. Jis šildo objektus, o ne orą.

SVARBU: norėdami pakeisti elektros tiekimą baterija į tiekimą laidu ir atvirkščiai, išjunkite šildytuvą kruopščiai laikydamiesi visos procedūros, kad išvengtumėte didelės žalos.

▶ 6.1. ŠILDYTUVO ĮJUNGIMAS:

- ▶ 6.1.1. Laikykitės visų su saugumu susijusių nurodymų.
- ▶ 6.1.2. Patikrinkite, ar bake yra degalų.
- ▶ 6.1.3. Uždarykite bako dangtelį.
- ▶ 6.1.4. Įkiškite kištuką į elektros tinklą arba baterijos įkroviklį (ŽR. ĮTAMPAŲ TECHNINIŲ DUOMENŲ LENTELĖJE) (10-11 Pav.).
- ▶ 6.1.5. Pasukite jungiklį „I./IŠJ.“ į padėtį „I.“ (I) (3 Pav. A). Šildytuvas turėtų įsijungti per kelias sekundes. Jei šildytuvas neįsijungia, žiūrėkite skirsnį apie problemų sprendimą (10 skirsnis).

ĮSIDĖMĖKITE: JEI ŠILDYTUVAS IŠSIJUNGŲ DĖL PASIBAIGUSIO KURO, IŠJUNKITE ŠILDYTUVĄ, PRIPILDYKITE BAKĄ IR VĖL JĮ ĮJUNKITE (ŽR. 5.1 SKIRSNĮ).

▶ 6.2. ŠILDYTUVO IŠJUNGIMAS:

DĖMESIO: NEIŠJUNKITE ĮTAMPOS, NEIŠJUNKITE MAITINIMO LAIDO IR NEIŠIMKITE BATERIJOS TOL, KOL ŠILDYTUVAS VISIŠKAI ATVĖS (maždaug 5 min.).

- ▶ 6.2.1. Pasukite jungiklį „I./IŠJ.“ į padėtį „IŠJ.“ (0) (3 Pav. A).

► **6.3. NUOTOLINIO APLINKOS TERMOSTATO PRIJUNGIMAS (pasirenkama):**

DĖMESIO: APLINKOS TERMOSTATAS (PASIRENKAMAS) VEIKIA TIK TADA, KAI ŠILDYTUVAS MAITINAMAS ELEKTROS LAIDU.

DĖMESIO: KAI ŠILDYTUVAS VALDOMAS APLINKOS TERMOSTATU (PASIRENKAMA), ŠILDYTUVAS IŠSIJUNGIA IR VĒL ĮSIJUNGIA AUTOMATIŠKAI.

Nuimkite ant šildytuvo esantį dangtelį ir prijunkite nuotolinį aplinkos termostatą (pasirinktinai) (3 Pav. C).

►► **7. KURO FILTRO VALYMAS**

Žr. Pav. 4

ATSIŽVELGIANT Į NAUDOJAMO KURO KOKYBĘ, GALI PIREIKTI IŠVALYTI FILTRĄ.

- 7.1. Nuimkite ant bako esantį dangtelį (4 Pav. A).
- 7.2. Ištraukite filtrą iš bako.
- 7.3. Atveržkite veržlę (4 Pav. B).
- 7.4. Ištraukite filtrą (4 Pav. C).

► 7.5. Nuvalykite filtrą švariu kuru, stengdamiesi jo nesugadinti.

► 7.6. Vėl įdėkite filtrą į baką.

►► **8. LAIKYMAS IR GABENIMAS SIEKIANT GERIAU LAIKYTI IR (ARBA) GABENTI ŠILDYTUVĄ, REKOMENDUOJAMA VADOVAUTIS TOLESNE TVARKA:**

- 8.1. Išpilkite iš bako kurą
- 8.2. Jei pastebėsite likučių, įpilkite į baką švaraus kuro ir iš naujo išpilkite.
- 8.3. Uždarykite bako dangtelį ir tinkamai išpilkite kurą vadovaudamiesi taikomais standartais
- 8.4. Kad tinkamai prižiūrėtumėte šildytuvą, rekomenduojama jį laikyti lygioje padėtyje, kad neištekėtų kuras ir laikyti sausoje vietoje, atokiau nuo galimos išorinės žalos.

►► **9. DISPLĖJAUS KLAIDOS**

Žr. B Pav. 3

KLAIDA	PRIEŽASTIS	SPRENDIMAS
OPERACINĖ KLAIDA		
F0	1. Generatorių įjungus į elektros tinklą, jungiklis "ON/OFF" yra "ON" (I) padėtyje	1. Išjungus generatorių iš elektros tinklo, jungiklį nustatykite "OFF" (0) padėtyje, vėl įjunkite kištuką į elektros tinklą ir jungiklį pasukite į "ON" (I) padėtį
FOTOELEMENTO KLAIDA		
F1	1. Kuro trūkumas 2. Nešvarus kuras 3. Nešvarus arba sugadintas fotoelementas 4. Nešvarus kuro filtras 5. Degiklio klaida	1. Jungiklį nustatykite "OFF" (0) padėtyje ir pripildykite kuro talpą 2. Jungiklį nustatykite "OFF" (0) padėtyje, ištuštinkite ir vėl pripildykite kuro talpą. Švariu kuru išvalykite filtrą, stebėdami, kad jis nebūtų sugadintas (ŽIŪRĖKITE PARAG. 6) 3. Kreipkitės į techninės pagalbos centrą 4. ŽIŪRĖKITE PARAG. 6 5. Kreipkitės į techninės pagalbos centrą
TEMPERATŪROS JUTIKLIO KLAIDA		
F2	1. Nutrauktas kabelis 2. Sugadintas jutiklis	1. Kreipkitės į techninės pagalbos centrą 2. Kreipkitės į techninės pagalbos centrą
TERMOSTATO KLAIDA		
F3	1. Vidinis generatoriaus perkaitimas 2. Apsauginis jutiklis nuo apvertimo	1. Išjunkite generatorių ir palaukite, kol jis visiškai atvės 2. Pastatykite krosnelę ant plokščio ir stabilaus paviršiaus
NETINKAMA ĮTAMPA		
F4	1. Netinkama įtampa	1. Patikrinkite, ar jūsų įrenginio įtampa yra tinkama
NEĮSIJUNGĖ PO TRIJŲ BANDYMŲ		
FF	1. Trūksta kuro 2. Kuro filtras nešvarus 3. Fotojutiklis nešvarus arba sugedęs 4. Purkštuvus nešvarus arba sugedęs 5. Suaktyvintas pakreipimo jutiklis	1. Kreipkitės į techninės pagalbos centrą 2. Kreipkitės į techninės pagalbos centrą 3. Kreipkitės į techninės pagalbos centrą 4. Kreipkitės į techninės pagalbos centrą 5. Kreipkitės į techninės pagalbos centrą
BATERIJA IŠSIKROVUSI		
PF	1. Baterija išsikrovusi	1. Įkraukite bateriją
ŠILDYTUVAS BUDĖJIMO REŽIME		
[]	1. Termostatas prijungtas 2. Perjungimas iš maitinimo laidu į maitinimą baterija	1. Nustatyta termostato temperatūra nesiekia aplinkos temperatūros 2. Automatinis įjungimas iš naujo

►► 10. PROFILAKTINĖS PRIEŽIŪROS DARBŲ TVARKARAŠTIS

DĖMESIO: PRIEŠ PRADĖDAMI KOKIUS NORS PRIEŽIŪROS ARBA REMONTO DARBUS, IŠJUNKITE MAITINIMO LAIDĄ IŠ ELEKTROS TINKLO BEI ĮSITIKINKITE, KAD GENERATORIUS YRA ATVĖSĖS.

JEI ŠILDYTVUVĄ NAUDOJATE YPAČ DULKĖTOJE APLINKOJE, PRIEŽIŪROS IR VALYMO DARBUS REIKIA ATLIKTI DAŽNIAU.


ELEMENTAS	PRIEŽIŪROS DARBŲ DAŽNUMAS	PRIEŽIŪROS DARBŲ EIGA
Kuro talpa	Valykite kas 150-200 darbo valandų arba esant reikalui	Ištuštinkite ir perskalaukite talpą, tam panaudodami švarų kurą
Antgalis	Valykite arba pakeiskite vieną kartą per darbo sezoną arba priklausomai nuo poreikių	Kreipkitės į techninės pagalbos centrą
Fotoelementas	Valykite vieną kartą per darbo sezoną arba priklausomai nuo poreikių	Kreipkitės į techninės pagalbos centrą
Kuro filtras	Valykite arba pakeiskite du kartus per darbo sezoną arba priklausomai nuo poreikių	Išvalykite kuro filtrą, tam panaudodami švarų kurą
Degiklio įranga	Valykite kas 1.000 darbo valandų arba esant reikalui	Kreipkitės į techninės pagalbos centrą
Rotoriaus mentės	Valykite esant reikalui	Kreipkitės į techninės pagalbos centrą


►► 11. PROBLEMŲ NUSTATYMAS

PROBLEMA	GALIMA PRIEŽASTIS	GALIMAS SPRENDIMAS
Generatorius neįsijungia	<ol style="list-style-type: none"> Generatorius užblokuotas Jungiklis yra "OFF" (0) padėtyje Nėra įtampos Išjungtas maitinimo laidas Užblokuota valdymo korta Netinkamai nustatytas kambarinis termostatas Suveikė temperatūros jutiklis Sugadintas saugiklis 	<ol style="list-style-type: none"> Išjunkite ir vėl įjunkite generatorių Jungiklį pasukite į "ON" (I) padėtį 3A. Maitinimo laidą tinkamai įjunkite į elektros tinklą 3B. Patikrinkite elektros instaliaciją 3C. Kreipkitės į techninės pagalbos centrą 3D. Baterija išsikrovusi 4. Kreipkitės į techninės pagalbos centrą 5A. Išjunkite ir vėl įjunkite generatorių 5B. Nustatykite displėjaus klaidą 5C. Kreipkitės į techninės pagalbos centrą 6. Sureguliuokite kambarinį termostatą, nustatydami jį taip, kad jo temperatūra būtų aukštesnė nei darbinės aplinkos temperatūra 7A. Palaukite mažiausiai dešimt minučių, o tada vėl pabandykite pereiti į uždegimo fazę 7B. Kreipkitės į techninės pagalbos centrą 7C. Kreipkitės į techninės pagalbos centrą 8. Kreipkitės į techninės pagalbos centrą
Variklis/siurblys įsijungia, tačiau neužsidega liepsna	<ol style="list-style-type: none"> Kuro trūkumas Degiklio įranga nešvari Nešvarus kuro filtras Nešvarus antgalis Fotoelementas nešvarus, sugadintas arba yra netinkamai įmontuotas Talpoje yra sausų medžiagų Elektrodai susidėvėję arba nustatyti netinkamu atstumu 	<ol style="list-style-type: none"> Generatorių išjunkite, pripildykite kuro talpą ir vėl įjunkite prietaisą Kreipkitės į techninės pagalbos centrą Išvalykite filtrą, tam panaudodami švarų kurą Kreipkitės į techninės pagalbos centrą Kreipkitės į techninės pagalbos centrą Ištuštinkite talpą ir ją vėl pripildykite švariu kuru Kreipkitės į techninės pagalbos centrą
Rotorius užblokuotas arba sukasi labai iš lėto	<ol style="list-style-type: none"> Sugadintas variklis 	<ol style="list-style-type: none"> Kreipkitės į techninės pagalbos centrą

SVARĪGI: ŠO INSTRUKCIJU IR JĀSALASA PIRMS ĢENERATORA MONTĀŽAS, IEDARBINĀŠANAS VAI KONSERVĀCIJAS UZSĀKŠANĀS. NEPAREIZA ĢENERATORA LIETOŠANA VAR IEROSINĀT NOPIETNUS IEVAINOJUMUS. INSTRUKCIJU IR JĀGLABĀ, LAI BŪTU IESPĒJAMI VĒLĀK KONSULTĒTIES.

►► 1. DROŠĪBAS INFORMĀCIJA (BRĪDINĀJUMS)

 **SVARĪGI:** Šī gaisa sildītājs ir izstrādāts mobilam un īslaicīgam profesionālajam pielietojumam. Tas nav paredzēts lietošanai mājāsaimniecībā apsildei cilvēku ērtībām.

 **SVARĪGI:** Šī ierīce nav paredzēta lietošanai personām (ieskaitot bērnus) ar ierobežotām fiziskām, sensorām vai garīgajām spējām, vai nepieredzējušiem, ja vien viņus neuzrauga par viņu drošību atbildīgas personas. Bērni jāuzrauga, nodrošinot, lai viņi nerotaļātos ar ierīci.

 **RISKI:** nosmakšana oglekļa monoksīda ietekmē var būt letāla.

Nosmakšanas no oglekļa monoksīda pirmie simptomi ir līdzīgi gripai: galvassāpes, reibonis un/vai slikta dūša. Šos simptomus var izraisīt sildītāja darbības traucējumi. **JĀ PARĀDĀS KĀDS NO ŠIEM SIMPTOMIEM, NEKĀVĒJOTIES IZEJIET SVAIGĀ GAISĀ** un nododiet sildītāju remontam tehniskās palīdzības centrā.

1.1. DEGVIELAS UZPILDE:

- 1.1.1. Personālam, kas atbild par degvielas uzpildi, jābūt kvalificētam un pilnībā jāpārzina ražotāja instrukcijas un noteikumi, kas reglamentē drošu sildītāju piegādi.
- 1.1.2. Izmantojiet tikai to degvielas veidu, kas skaidri norādīts sildītāja plāksnītē.
- 1.1.3. Pirms degvielas uzpildes izslēdziet sildītāju un ļaujiet tam atdzist.
- 1.1.4. Degvielas uzglabāšanas tvertnēm jāatrodas atsevišķā objektā.
- 1.1.5. Visām degvielas tvertnēm jāatrodas minimāli drošā attālumā no sildītāja saskaņā ar pašreizējiem standartiem.
- 1.1.6. Degviela jāuzglabā telpās ar grīdas segumu, kas neļauj tai nokļūt un nopīlēt uz apakšējās liesmas, izraisot degvielas aizdegšanos.
- 1.1.7. Degvielas uzglabāšana jāveic saskaņā ar vietējiem noteikumiem.

1.2. DROŠĪBAS PASĀKUMI:

- 1.2.1. Nekad neizmantojiet sildītāju telpā, kur atrodas benzīns, krāsas šķīdinātāji vai citi viegli uzliesmojoši tvaiki.
- 1.2.2. Lietojot sildītāju, ievērojiet visus vietējos, spēkā esošos priekšrakstus un noteikumus.
- 1.2.3. Sildītājiem, kas tiek izmantoti nojumēs, telts vai citu līdzīga seguma materiālu tuvumā, jāatrodas drošā attālumā no tiem. Arī ieteicams izmantot ugunsdrošus jumta materiālus.
- 1.2.4. Izmantot tikai labi vēdināmās telpās. Nodrošināt pietiekamu atveri saskaņā ar noteikumiem, lai ievadītu svaigu gaisu no ārpusēs.
- 1.2.5. Sildītāja barošanu nodrošiniet, izmantojot strāvas padeves rozeti ar spriegumu un frekvenci, kas norādīti sildītāja plāksnītē.
- 1.2.6. Izmantojiet tikai pienācīgi sazemētus pagarinātājus.
- 1.2.7. Ieteicamie minimālie drošības attālumumi starp sildītāju un uzliesmojošiem materiāliem ir šādi: priekšējā

izeja = 2,5 (8 ft), sānu, augšējā un aizmugurējā izeja = 1,5 m (8 ft).

- 1.2.8. Novietojiet silto vai funkcionējošo sildītāju uz cietas, līdzenas virsmas, lai novērstu ugunsgrēka risku.
- 1.2.9. Turiet mājdzīvniekus drošā attālumā no sildītāja.
- 1.2.10. Atvienojiet barošanu vai akumulatoru no sildītāja, kad to nelieto.
- 1.2.11. Kontrolējot sildītāju ar termostatu, tas var uzliesmot jebkurā brīdī.
- 1.2.12. Nekad neizmantojiet sildītāju biezi apdzīvotās telpās, ne arī guļamistabā.
- 1.2.13. Ja sildītājs ir karsts vai pieslēgts strāvas padeves tīklam, kas barojas no akumulatora, vai arī darbojas, to nedrīkst pārvietot, izmantot, uzpildīt ar degvielu, kā arī veikt tehniskās apkopes darbus.
- 1.2.14. Saglabāt drošības attālumumu starp uzliesmojošiem vai termoneizturīgiem materiāliem (ieskaitot strāvas vadu) un sakarsušajām sildītāja daļām.
- 1.2.15. Ja dažādie strāvas vadi vai akumulatori bojāti, tie jānomaina tehniskās palīdzības centrā, lai novērstu jebkādu risku (atbrīvojies no bojātā materiāla saskaņā ar pašreizējiem noteikumiem).
- 1.2.16. Pirms strāvas vada pievienošanas un/vai akumulatora ievietošanas pārliedzieties, vai sildītājs ir izslēgts, lai novērstu jebkādu risku.
- 1.2.17. Izmantojiet tikai oriģinālo akumulatoru, kas ir skaidri paredzēts. Neparedzēta akumulatora izmantošana var izraisīt materiālos bojājumus vai nāves draudus personām, traumas, apdegumus, sprādziena, elektrošoka vai saindēšanās riskus.
- 1.2.18. Uzturiet drošības attālumumu starp atvienotu akumulatoru un spailēm, monētām, atslēgām, naglām, skrūvēm vai citiem maziem metāla priekšmetiem, kas var izraisīt īssavienojumu. Īssavienojums starp akumulatora kontaktiem var izraisīt materiālus vai miesas bojājumus, traumas, apdegumus, sprādziena risku, utt.
- 1.2.19. Nepareiza akumulatora izmantošana var izraisīt akumulatora šķidrumsa noplūdi. Pilnībā izvairieties no saskares ar to. Ja notikusi nejauša saskare, rūpīgi izskalot vietu ar ūdeni. Nekāvējoties meklēt medicīnisko palīdzību, ja šķidrums nonāk saskarē ar acīm. Šķidrums, kas izplūst no akumulatora, var izraisīt kairinājumu vai apdegumus.
- 1.2.20. Nepareiza akumulatora izmantošana var izraisīt akumulatora tvaiku noplūdi. Pilnībā izvairieties ieelpot šos tvaikus. Nejaušas ieelpošanas gadījumā ļaujiet ieelpot svaigam gaisam un sūdzību gadījumā meklējiet medicīnisko palīdzību. Šie tvaiki var kairināt elpošanas traktu.
- 1.2.21. Lai novērstu nopietnu apdraudējumu, nemēģiniet akumulatoru atvērt vai izjaukt.
- 1.2.22. Lai novērstu nopietnu apdraudējumu, aizsargājiet akumulatoru no karstuma iedarbības (piemēram, no nepārtrauktas saules staru, uguns, ūdens, mitruma, utt. iedarbības).
- 1.2.23. Lai novērstu bīstamas pārslodzes, izmantojiet tikai šim konkrētajam sildītājam īpaši paredzēto akumulatoru.
- 1.2.24. Izmantojiet tikai konkrēto, oriģinālo akumulatoru ar spriegumu, kas norādīts uz sildītāja plāksnītes. Gadījumā, ja tiek izmantoti citi akumulatori (piemēram, imitācijas akumulatori, atjaunoti akumulatori, konkurences

akumulatori, utt.), pastāv miesas bojājumu un/vai eksplozijas risks.

- ▶ 1.2.25. Uzlādējiet akumulatoru tikai ar oriģinālo akumulatoru lādētāju. Lai izvairītos no ugunsgrēka un sprādziena riska, katram akumulatoram jāizmanto tā īpašais akumulatora lādētājs.
- ▶ 1.2.26. Izmantojiet tikai to barošanas režīmu, kas paredzēts šajā rokasgrāmatā. Lai novērstu būtiskus bojājumus, aizliegts mainīt barošanas režīmu sildītājam darbojoties.
- ▶ 1.2.27. Kontrolējot sildītāju ar termostatu vai pārslēdzoties no strāvas vada uz akumulatora enerģiju, sildītāju vajadzētu izslēgt un pārslēgt gaidstāves režīmā (displejā parādās ziņojums “[]”), jābūt ļoti uzmanīgiem, jo sildītājs varētu ieslēgties automātiski jebkurā laikā un var izraisīt nopietnu kaitējumu personām.

▶▶ 2. IZPAKOŠANA

Skatiet Att. 1

- ▶ 2.1. Novāciet visus iepakojuma materiālus, kas tika izmantoti, lai iepakotu un nosūtītu sildītāju, un likvidējiet to saskaņā ar piemērojamiem noteikumiem.
- ▶ 2.2. Izņemiet visas preces no iepakojuma.
- ▶ 2.3. Pārbaudiet, vai transportēšanas laikā nav radušies bojājumi. Ja sildītājs ir bojāts, nekavējoties sazinieties ar izplatītāju, kas to piegādājis.

▶▶ 3. IZSTRĀDĀJUMU APRAKSTS

▶ 3.1. STRĀVAS VADS (ja tāds ir):

STRĀVAS VADAM NAV AKUMULATORA UZLĀDES FUNKCIJAS.

(Att. 5) Sildītājs var darboties, to pieslēdzot pie elektrotīkla ar strāvas vadu. Lai izvairītos no nopietniem bojājumiem, periodiski pārbaudiet vada stāvokli. Ievērojiet visus brīdinājumus attiecībā uz strāvas vadu, kas aprakstīts šajā rokasgrāmatā.

▶ 3.2. AKUMULATORS (ja tāds ir):

(Att. 6)

PIEZĪME: ATKARĪBĀ NO AKUMULATORA IETILPĪBAS (MĒRA Ah), JĀIZMANTO ORIĢINĀLS LĀDĒTĀJS UN RELEJS

Sildītājs var darboties autonomi, izmantojot oriģinālo litija-jona akumulatoru, nepieslēdzot to elektrotīklam. Akumulators tiek piegādāts daļēji uzlādēts, un šī iemesla dēļ ir ieteicams veikt pilnu uzlādes ciklu pirms akumulatora lietošanas. Lai darbinātu sildītāju, izmantojiet tikai oriģinālos akumulatorus. Ievērojiet visus brīdinājumus attiecībā uz akumulatoru, kas aprakstīti šajā rokasgrāmatā.

▶ 3.3. AKUMULATORA LĀDĒTĀJS (ja tāds ir):

(Att. 7) Akumulatora lādētājs ir paredzēts, lai uzlādētu oriģinālos Litija jona akumulatorus. Jāievēro akumulatoru uzlādētāja darbības parametri (skatīt akumulatoru lādētāja datu plāksnīti). Izmantojiet lādētāju pilnīgi sausās un no putekļiem aizsargātās vietās, lai uzlādētu tikai oriģinālos akumulatorus, kas tiek izmantoti, lai darbinātu šo sildītāju. Akumulatoru lādētājs ir izstrādāts, lai automātiski veiktu lādēšanas ciklu, kad ir pievienots akumulators (Att. 8). Vairākas signāllampīņas, kas atrodas uz akumulatora, ļauj veikt detalizētu diagnostiku akumulatora uzlādēšanas laikā (Att. 9). Ievērojiet visus brīdinājumus attiecībā uz akumulatoru lādētāju, kas aprakstīti šajā rokasgrāmatā.

▶▶ 4. DEGVIELA

BRĪDINĀJUMS: sildītājs darbojas tikai ar PETROLEJU vai DĪZELDEGVIELU.

Izmantojiet tikai dīzeļdegvielu vai petroleju, lai izvairītos no ugunsgrēka vai eksplozijas. Nekad nelietojiet benzīnu, naftu, šķīdinātājus, alkoholu vai citus viegli uzliesmojošus kurināmos.

Izmantojiet netoksisku antifrīzu pie ļoti zemām temperatūrām.

▶▶ 5. DARBĪBAS PRINCIPI

Skatiet Att. 2

Pareizai degšanai nepieciešamais gaiss tiek nodrošināts ar degļa iekšējā ventilatora griešanas. Gaisa plūsmas iziet no degļa uzmaivas un sajaucas ar degvielu, kas tiek izsmidzināta caur sprauslu pie augsta spiediena. Degvielas izsmidzināšanu caur sprauslu nodrošina elektriskais sūknis, kas iesūc degvielu no tvertnes un virza to pie augsta spiediena uz sprauslu.

▶▶ 6. DARBA REŽĪMS

BRĪDINĀJUMS: Pirms sildītāja ieslēgšanas uzmanīgi izlasiet “INFORMĀCIJA PAR DROŠĪBAS PASĀKUMIEM”.

SVARĪGI: Pēc pirmās neveiksmīgās sildīšanas pārbaudiet, vai ir degviela tvertnē, vai degvielas filtrs ir tīrs un, vai sildītājs ir novietots uz līdzenas un stabilas virsmas.

SVARĪGI: Šī ierīce ir infrasarkanais sildītājs. Tas uzsilda priekšmetus, nevis gaisu.

SVARĪGI: Lai mainītu strāvas padeves veidu no akumulatora uz vadu un otrādi, izslēdziet sildītāju, stingri ievērojot visus pasākumus, lai novērstu nopietnu kaitējumu.

▶ 6.1. SILDĪTĀJA IESLĒGŠANA:

▶ 6.1.1. Ievērojiet visus drošības norādījumus.

▶ 6.1.2. Pārbaudiet, vai tvertnē ir degviela.

▶ 6.1.3. Aizveriet tvertnes vāciņu.

▶ 6.1.4. Pievienojiet strāvas kontaktdakšu elektrotīklam vai uzlādētam akumulatoram (SKATĪT SPRIEDZI “TEHNISKO DATU TABULĀ”) (Att. 10-11).

▶ 6.1.5. Pārslēdziet slēdzi „IESL./IZSL.” stāvoklī „IESLĒGTS” (I) (A Att. 3). Sildītājam jāieslēdzas dažu sekunžu laikā. Ja sildītājs neieslēdzas, skatiet sadaļu ar problēmas aprakstu (Sad. 10).

N.B.: SILDĪTĀJA IZSLĒGŠANĀS GADĪJUMĀ DEGVIELAS TRŪKUMA DĒĻ, IZSLĒGT SILDĪTĀJU, UZPILDĪT TVERTNI UN ATKĀRTOTI IESLĒGT SILDĪTĀJU (SKATĪT SADAĻĀ 5.1.).

▶ 6.2. SILDĪTĀJA IZSLĒGŠANA:

UZMANĪBU: NENOŅEMĪET SPRIEGUMU, NEATVIENOJIET STRĀVAS PADEVES VADU VAI NENOŅEMĪET AKUMULATORU LĪDZ SILDĪTĀJS NAV PILNĪBĀ ATDZISIS (apmēram 5 min.).

▶ 6.2.1. Pārslēdziet slēdzi „IESL./IZSL.” stāvoklī „IZSLĒGTS”(0) (A Att. 3).

► 6.3. TĀLVADĪBAS TĒLPAS TERMOSTATA
PIEVIENOŠANA (papildaprīkojums):

UZMANĪBU: TĒLPAS TERMOSTATS
(PAPILDAPRĪKOJUMS) DARBOJAS TIKAI TAD, KAD
SILDĪTĀJS BAROJAS NO STRĀVAS VADA.

UZMANĪBU: KAD SILDĪTĀJS TIEK DARBINĀTS AR
TĒLPAS TERMOSTATU (PAPILDAPRĪKOJUMS),
SILDĪTĀJA IZSLĒGŠANĀS UN IESLĒGŠANĀS NOTIEK
AUTOMĀTISKI.

Atvienojiet kontaktdakšas savienojumu ar sildītāju un
pievienojiet telpas termostatu (papildaprīkojums) (C Att. 3).

►► 7. IZTĪRIET DEGVIELAS FILTRU

Skatiet Att. 4

ATKARĪBĀ NO IZMANTOTĀS DEGVIELAS KVALITĀTES,
VAR RASTIES NEPIECIEŠAMĪBA TĪRĪT FILTRU.

- 7.1. Noņemiet tvertnes vāciņu (A Att. 4).
- 7.2. Izņemiet tvertnes filtru.
- 7.3. Atskrūvējiet uzgriezni (B Att. 4).
- 7.4. Noņemiet filtru (C Att. 4).

- 7.5. Notīriet filtru ar tīru degvielu, uzmanīgi, lai to nesabojātu.
- 7.6. Uzlieciet vietā tvertnes filtru.

►► 8. UZGLABĀŠANA UN PĀRVADĀŠANA
LAI LABĀK UZGLABĀTU UN /VAI PĀRVADĀTU
SILDĪTĀJU, LŪDZU, RĪKOJĒTIES ŠĀDI:

- 8.1. Iztukšojiet degvielu no tvertnes.
- 8.2. Ja pamanāt atliekas, ielejiet tīru degvielu tvertnē un atkārtoti iztukšojiet to.
- 8.3. Atbrīvojieties pienācīgā veidā no degvielas saskaņā ar spēkā esošo reglamentu.
- 8.4. Lai labāk saglabātu sildītāju, ieteicams to turēt horizontālā stāvoklī, lai novērstu degvielas noplūdi, glabāt sausā vietā un pasargāt no iespējamajiem ārējiem kaitējumiem.

►► 9. DISPLEJA KĻŪDAS

Skatiet B Att. 3

KĻŪDA	IEMESLS	RISINĀJUMS
OPERĀCIJAS KĻŪDA		
F0	1. Ieslēdzējs "ON/OFF" atrodas "ON" (I) pozīcijā, kad ģenerators ir pieslēgts elektrības tīklam	1. Pēc ģeneratora atslēgšanas pārslēgt izslēdzēju uz "OFF" (0) pozīciju, atkārtoti pieslēgt pie elektrības ligzdas un pārslēgt ieslēdzēju uz "ON" (I) pozīciju
FOTOELEMENTA KĻŪDA		
F1	1. Degvielas trūkums 2. Netīra degviela 3. Fotoelements piesārņots vai bojāts 4. Piesārņots degvielas filtrs 5. Aizdedzes kļūda	1. Pārslēgt ieslēdzēju uz "OFF" (0) pozīciju, uzpildīt tvertni ar degvielu 2. Pārslēgt ieslēdzēju uz "OFF" (0) pozīciju, iztukšot un pēc tam atkārtoti uzpildīt tvertni ar degvielu. Filtru tīrīt ar tīru degvielu, uzmanīgi, lai to nebojāt (SK. PAR. 6) 3. Kontaktēties ar tehniskas palīdzības centru 4. SK. PAR. 6 5. Kontaktēties ar tehniskas palīdzības centru
TEMPERATŪRAS KONTROLES DEVĒJA KĻŪDA		
F2	1. Pārtraukts vads 2. Bojāts devējs	1. Kontaktēties ar tehniskas palīdzības centru 2. Kontaktēties ar tehniskas palīdzības centru
TERMOSTATA KĻŪDA		
F3	1. Ģeneratora iekšēja pārkaršanās 2. Pretapgriešanās sensors	1. Izslēgt ģeneratoru un pagaidīt līdz pilnīgai atdzesēšanai 2. Novietot krāsni uz plakanas un stabilas virsmas
SPRIEGUMS NAV PIEMĒROTS		
F4	1. Spriegums nav piemērots	1. Pārbaudiet ierīces spriegumu
NESPĒJA IEDARBINĀT TRĪS REIZES PĒC KĀRTAS		
FF	1. Degvielas trūkums 2. Degvielas filtrs ir netīrs 3. Fotoelements ir netīrs vai ir bojāts 4. Sprausla ir netīra vai ir bojāta 5. Pretapgriešanās sensora ieslēgšanās	1. Kontaktēties ar tehniskas palīdzības centru 2. Kontaktēties ar tehniskas palīdzības centru 3. Kontaktēties ar tehniskas palīdzības centru 4. Kontaktēties ar tehniskas palīdzības centru 5. Kontaktēties ar tehniskas palīdzības centru
IZLĀDĒJIES AKUMULATOR		
PF	1. Izlādējies akumulators	1. Uzlādēt akumulatoru
SILDĪTĀJS UZGAIDES REŽĪMĀ		
[]	1. Pievienots termostats 2. Pārslēgšanās no strāvas padeves pa vadu uz akumulatoru	1. Termostats iestāpīts uz temperatūru, kas ir zemāka par telpas temperatūru 2. Automātiska palaišana

►► 10. AIZSARDZĪBAS KONSERVĀCIJAS GRAFIKS

UZMANĪBU: PIRMS JEBKURAS KONSERVĀCIJAS VAI REMONTA DARBĪBAS ATSLĒGT IERĪCI NO ELEKTRĪBAS TĪKLA UN PĀRBAUDĪT, VAI ĢENERATORS IR VĒSS.

JA SILDĪTĀJS TIEK IZMANTOTS ĪPAŠI PUTEKĻAINĀ VIDĒ, NEPIECIEŠAMA BIEŽĀKA APKOPE UN TĪRĪŠANA.


ELEMENTS	KONSERVĀCIJAS FREKVENCE	KONSERVĀCIJAS PROCEDŪRA
Degvielas tvertne	Tīrīt ik pēc 150-200 darba stundām vai ja nepieciešami	Iztukšot un izskalot tvertni, lietojot tīru degvielu
Sprausla	Notīrīt vai mainīt vienu reizi vienā darba sezonā vai ja nepieciešami	Kontaktēties ar tehniskas palīdzības centru
Fotoelements	Tīrīt ik vienu reizi vienā darba sezonā vai ja nepieciešami	Kontaktēties ar tehniskas palīdzības centru
Degvielas filtrs	Tīrīt vai mainīt divas reizes vienā darba sezonā vai ja nepieciešami	Notīrīt degvielas filtru, lietojot tīru degvielu
Aizdedzes ierīce	Tīrīt vai mainīt ik pēc 1.000 darba stundām vai ja nepieciešami	Kontaktēties ar tehniskas palīdzības centru
Aizdedzes ierīce	Tīrīt ja nepieciešami	Kontaktēties ar tehniskas palīdzības centru


►► 11. PROBLĒMAS IDENTIFIKĀCIJA

PROBLĒMA	IESPĒJAMS IEMESLS	IESPĒJAMĀ RISINĀŠANA
Ģenerators neiedarbinās	<ol style="list-style-type: none"> 1. Bloķēts ģenerators 2. Ieslēdzēju ir pārslēgts "OFF" (0) pozīcijā 3. Nav elektrības 4. Atslēgts elektrības vads 5. Nobloķēta vadības karte 6. Istabas termostata kļūdaina uzstādīšana 7. Temperatūras devēja intervence 8. Bojāts drošinātājs 	<ol style="list-style-type: none"> 1. Izslēgt un atkārtoti ieslēgt ģeneratoru 2. Ieslēdzēju pārslēgt uz "ON" (I) pozīciju 3A. Pareizi novietot elektrības vadu elektrības ligzdā. 3B. Pārbaudīt elektrības instalāciju 3C. Kontaktēties ar tehniskas palīdzības centru 3D. Izlādējies akumulators 4. Kontaktēties ar tehniskas palīdzības centru 5A. Izslēgt un atkārtoti ieslēgt ģeneratoru 5B. Identificēt kļūdu uz displeja 5C. Kontaktēties ar tehniskas palīdzības centru 6. Noregulēt istabas termostatu, lai būtu uzstādīts uz augstāku temperatūru, nekā darba vides temperatūra 7A. Pagaidīt vismaz desmit minūtes, pēc tam atkārtoti pamēģināt pāriet uz aizdedzes fāzi 7B. Kontaktēties ar tehniskas palīdzības centru 8. Kontaktēties ar tehniskas palīdzības centru
Dzinējs/sūknis iedarbinās, bet liesma nesāks degt	<ol style="list-style-type: none"> 1. Degvielas trūkums 2. Piesārņota aizdedzes ierīce 3. Piesārņots degvielas filtrs 4. Piesārņota sprausla 5. Fotoelements ir piesārņots, bojāts vai nepareizi instalēts 6. Svešas vielas tvertnē 7. Noliekti elektrodi vai uzstādīti nepareizā attālumā 	<ol style="list-style-type: none"> 1. Izslēgt ģeneratoru, uzpildīt tvertni ar degvielu, atkārtoti ieslēgt ģeneratoru 2. Kontaktēties ar tehniskas palīdzības centru 3. Notīrīt filtru, lietojot tīru degvielu 4. Kontaktēties ar tehniskas palīdzības centru 5. Kontaktēties ar tehniskas palīdzības centru 6. Iztukšot un atkārtoti uzpildīt tvertni ar tīru degvielu 7. Kontaktēties ar tehniskas palīdzības centru
Rotors ir nobloķēts vai rotēs pārāk lēni	<ol style="list-style-type: none"> 1. Bojāts dzinējs 	<ol style="list-style-type: none"> 1. Kontaktēties ar tehniskas palīdzības centru

TÄHELEPANU: LUGEGE SEE JUHEND HOOLIKALT LÄBI ENNE GENERAATORI PAIGALDAMIST, KÄIVITAMIST VÕI HOOLDUSTOIMINGUID GENERAATORI JUURES. GENERAATORI KASUTAMINE VALEL VIISIL VÕIB PÕHJUSTADA TÕSISEID KEHAVIGASTUSI. HOIDKE KÄESOLEV JUHEND ALLES, ET SAAKSITE SEDA KA HILJEM KASUTADA.

►► **1. TEAVE OHUTUS (HOIATUSED)**

 **TÄHTIS:** See õhukütteseade on mõeldud mobiilseteks ja ajutisteks professionaalseteks rakendusteks. See ei ole mõeldud kasutamiseks koduses keskkonnas ega inimeste soojusmugavusena.

 **TÄHTIS:** Seda seadist ei tohi kasutada inimesed (sh lapsed) füüsilise, meelise ja intellektuaalse vaegusega või kogenematu inimesed, välja arvatud juhul, kui nende järele vaatab nende ohutuse eest vastutav isik. Laste järele peab vaatama, et nad ei mängiks seadisega.

 **OHT:** Vingu lämbus võib ära tappa.

Vingu lämbuse esimesed sümptomid sarnanevad gripi sümptomitega: peavalu, pearinglus ja/või iiveldus. Samasuguseid sümptomeid võib põhjustada soojapuhuri rike. SELLISTE SÜMPTOOMIDE MÄRKIMISEL KOHE TULGE VÄRSKE ÕHU KÄTTE ja remondige soojapuhur tehnilise toe keskuses.

1.1. TÄIENDUS:

- 1.1.1. Täienduse eest vastutav personal peab olema kvalifitseeritud ja täielikult teadlik tootja instruktsioonidest ja kehtivatest normidest ohutu soojapuhurite tarne kohta.
- 1.1.2. Kasutage ainult seda kütuse tüüpi, mis on määratud soojapuhuri tuvastamissildil.
- 1.1.3. Enne täienduse teostamist lülitage soojapuhur välja ja oodake kuni see jahtub ära.
- 1.1.4. Kütuse paagid peavad asuma erikonstruktsioonis.
- 1.1.5. Kõik kütuse paagid peavad soojapuhurilt asuma minimaalsel kaugusel vastavalt kehtivatele normidele.
- 1.1.6. Kütust tuleb hoida ruumides, kus põrand ei lase imbumist ega kütuse tilkumist tulele, mis võib tekitada tulekahju.
- 1.1.7. Kütuse hoidu peab teostama vastavalt kehtivatele normidele.

1.2. OHUTUSE KOHTA:

- 1.2.1. Ärge kunagi kasutage soojapuhurit paikades, kus on olemas bensiin, lahustid või muud kergsüttivad aurred.
- 1.2.2. Puhuri kasutamisel tuleb järgida kõiki kehtivaid kohalikke nõudeid ja norme.
- 1.2.3. Soojapuhurid, mida kasutatakse presentide, eesriiete või teiste katusematerjalide lähedal, peavad nendest asuma ohutul kaugusel. Soovitatav on kasutada tulekindlaid katematerjale.
- 1.2.4. Kasutage ainult õhurikastes ruumides. Kindlustage nõuetekohast avamist vastavalt kehtivatele normidele, et väljastpoolt tuleks värske õhk.
- 1.2.5. Puhuri toiteks kasutatav elektrivool peab pingelt ja sageduselt vastama puhuri identifitseerimisplaadil olevate väärtustele.
- 1.2.6. Kasutage ainult nõuetekohase maandusega kolmeharulisi pikendusjuhtmeid.
- 1.2.7. Minimaalsed ohutud kaugused, mida on soovitatud seada soojapuhuri ja kergsüttivate ainete vahel:

eespoolne väljapääs = 2,5 m (8 jalga); külgedel, kohal ja taga = 1,5 m (5 jalga).

- 1.2.8. Seadke kuum või töötav soojapuhur kindlale ja siledale pinnale, et vältida tulekahjut.
- 1.2.9. Ohutuse nimel ärge lubage loomi soojapuhuri lähedusse.
- 1.2.10. Lülitage välja toide või soojapuhuri patarei, kui seda ei kasutata.
- 1.2.11. Termostaadiga juhtimise juhul võib soojapuhur sisse lülitada igal ajal.
- 1.2.12. Ärge kunagi kasutage soojapuhurit ruumides, kus tihti viibivad inimesed või magamistubades.
- 1.2.13. Kui soojapuhur töötab, on ühendatud toiteallikaga või patareiga, ärge iialgi teisaldage seda ega tankige kütusega või remondige seda.
- 1.2.14. Hoidke puhuri kuumadest osadest ohutus kauguses materjalid, mis on kergesti süttivad või termotundlikud (kaasa arvatud toitejuhe).
- 1.2.15. Juhul, kui toitekaabel või patarei on kahjustatud, tuleb need ära vahetada tehnilise toe keskuses riskide vältimiseks (utiliseerige kahjustatud materjal vastavalt kehtivatele normidele).
- 1.2.16. Enne toitekaabliga ühendamist ja/või taaslaetud patarei panemist veenduge, et soojapuhur on välja lülitatud riskide vältimiseks.
- 1.2.17. Kasutage ainult ette nähtud originaalseid patareisid. Teistsuguste taaslaetavate patareide kasutamine võib põhjustada kahjustusi, olla eluohtlik või kaasa tuua põletusi, plahvatusi, elektrišokki ja mürgistust.
- 1.2.18. Hoidke soojapuhuri küljest eemaldatud taaslaetav patarei ohutus kauguses klambritest, müntidest, võtmetest, naeltest, mutritest ja muudest väikestest metallosadest, mis võivad põhjustada lühise. Lühis taaslaetava patarei kontaktide vahel võib põhjustada kahjustusi, olla eluohtlik või kaasa tuua põletusi, plahvatusi jne.
- 1.2.19. Taaslaetava patarei valekasutus võib viia patareist vedeliku lekkele. Sellega kokkupuudet tuleb igal juhul vältida. Kui kogemata vedelikuga kokku puutute, loputage see hoolikalt veega maha. Kui vedelik satub silma, pöörduge viivitamatult arsti poole. Taaslaetavast patareist välja voolanud vedelik võib põhjustada nahaärritust ja põletusi.
- 1.2.20. Taaslaetava patarei valekasutus võib viia patareist auru välja laskmisele. Nende sissehingamist tuleb igal juhul vältida. Laske ruumi värsket õhku ja kui olete auru sisse hinganud, pöörduge vaevuste ilmnemisel arsti poole. Aurud võivad ärritada hingamisteid.
- 1.2.21. Suurte riskide vältimiseks ärge püüdke avada / lahti võtta taaslaaditavat patareid.
- 1.2.22. Suurte riskide vältimiseks hoidke patareid soojuste eemal (nt pideva paikese kiirguse, tule, vee, niiskuse jm eemal).
- 1.2.23. Soojapuhuriga kasutage sellele eri mõeldud patareid, et vältida ohtlikke ülekoormatusi.
- 1.2.24. Kasutage ainult originaalseid taaslaetavaid patareisid pingel, mis on määratud soojapuhuri sildil. Teiste taaslaetavate patareide (näiteks järeletehtud, taaskasutusse võetud või konkureerivad patareid) kasutamisega kaasneb vigastuste ja/või plahvatusoht.

- ▶ 1.2.25. Laadige patareid ainuüksi originaalse laadijaga. Selleks, et vältida tulekahjut ja plahvatusi, tuleb igat patareid laadida ainult talle ette nähtud laadijaga.
- ▶ 1.2.26. Kasutage ainult seda toiteallikat, mis on ette nähtud selles juhendis. Selleks, et vältida raskeid kahjustusi, on töötava soojapuhuri toiteallika vahetamine keelatud.
- ▶ 1.2.27. Juhul, kui soojapuhur töötab termostaadiga või lülitub ümber kaablitoltelt patareid toitele, soojapuhur võib lülituda välja ja läheb ooteseisundisse (kuvarile tekib “[]”), siis tegutsege maksimaalselt tähelepanelikult, sest soojapuhur võib igal ajal sisse lülituda automaatselt ja võib tekitada rasket kahjut inimestele ja varale.

▶▶ 2. LAHTIPAKKIMINE

Vt. Joonis 1

- ▶ 2.1. Eemaldage kõik pakendid ja pakkematerjalid, milles puhur kohale toodi, ning visake need ära vastavalt kehtivatele nõuetele.
- ▶ 2.2. Eemaldage kõik osad pakendist.
- ▶ 2.3. Kontrollige, kas transport on põhjustanud kahjustusi. Kui puhur on kahjustatud, siis pöörduge viivitamatult edasimüüja poole, kelle käest puhuri ostsite.

▶▶ 3. TOODETE KIRJELDUS

▶ 3.1. TOITEKAABEL (kui on olemas):

TOITEKAABLIL POLE LAADIMISFUNKTSIOONI. (Joonis 5) Soojapuhur võib ühendada elektrivõrguga toitekaabli kaudu. Perioodiliselt kontrollige kaabli seisundit, et vältida rasket kahjut. Järgige kõiki hoiatusi toitekaabli kohta, mis on märgitud selles juhendis.

▶ 3.2. PATAREI (kui on olemas):

(Joonis 6)
MÄRKUS: OLENEVALT PATAREI MAHTUVUSEST (MÕÖDETAKSE AMPRIDES) TULEB KASUTADA ORIGINALSET LAADIJAT KOHASE VÕIMSUSEGA. Soojapuhur võib töötada iseseisvalt originaalse liitium-ioon taaslaetava patareiga ilma elektrivõrguga ühenduseta. Taaslaetav kaasasolev patareid on ainult osaliselt laetud ja seetõttu on soovitatav enne patareid kasutamist see täielikult täis laadida. Kasutage soojapuhuriga üksnes originaalpatareid. Pidage silmas kõiki selles juhendis toodud patareid kohta käivaid hoiatusi.

▶ 3.3. LAADIJA (kui on olemas):

(Joonis 7) Laadija on mõeldud originaalsete liitium-ioon patareid laadimiseks. Tuleb järgida laadija tööparameetreid (vt tootja silti laadijal). Kasutage toiteplokki täielikult kuivades ja tolmuwabades kohtades ning üksnes selliste taaslaetavate originaalpatareid laadimiseks, mis on ette nähtud selle soojapuhuri jaoks. Laadija on mõeldud automaatsele õige laadimistsükli juhtimisele taaslaetava patareid ühendusel (Joonis 8). Laadija valgusindikaator näitab põhjalikku diagnostikat otsimise faasi käigus (Joonis 9). Pidage silmas kõiki selles juhendis toodud laadija kohta käivaid hoiatusi.

▶▶ 4. KÜTUS

HOIATUS: Soojapuhur töötab ainult DIISLI või PETROOLEUMI toitel.

Kasutage ainult diisli või petrooleumi tulekahju või plahvatuse riski vältimiseks. Ärge kunagi kasutage bensiini, naftat, värvide lahustit, alkoholi või teisi kergsüttivaid kütuse tüüpe.

Kasutage mittetoksilisi antifriisi lisandeid väga madalate temperatuurite juhul.

▶▶ 5. TÖÖPÕHIMÖTE

Vt. Joonis 2

Õhku, mis on vajalik kohase põlemise tagamiseks, tekitatakse põletis siseventilaatori pöörlemisel. Õhuvool tuleb põletise väljalasketorust välja ja seguneb kütusega, mida kõrgrõhul pihustab düüs. Väljalasketorust pihustamist tagab elektrikump, mis saadab kütust paagist ja ajab väljalasketorule kõrgrõhul.

▶▶ 6. PÕHJUS

HOIATUS: Enne soojapuhuri sisselülitamist lugege hoolikalt „OHUTUSEST INFOT“.

TÄHTIS: Pärast esimest soojapuhuri sisselülitamist kontrollige, et paagis on kütus, veenduge, et filter on puhas ja kinnitage, et soojapuhur asub siledal ja kindlal pinnal.

TÄHTIS: See seadis on infrapunane soojapuhur. Seadis kuumutab objekte ja mitte õhku.

TÄHTIS: Selleks, et vahetada toiteallika tüüp patareid kaablile ja vastupidi lülitage soojapuhur välja, järgides hoolikalt protseduuri, et vältida suuri riske.

▶ 6.1. SOOJAPUHURI SISSELÜITAMINE:

- ▶ 6.1.1. Järgige kõiki ohutushoiu instruksioone.
- ▶ 6.1.2. Kontrollige, et paagis on kütus.
- ▶ 6.1.3. Sulgege paagi kaas.
- ▶ 6.1.4. Ühendage toitekaabel elektrivõrguga või laetud patareid (VT PINGET „TEHNILISTE ANDMETE TABELIS“) (Joonis 10-11).
- ▶ 6.1.5. Pöörake „ON/OFF“ lüliti „ON“ seisundisse (I) (A Joonis 3). Soojapuhur peab sisse lülituma mõne sekundiga. Juhul, kui soojapuhur sisse ei lülitu, vt probleemide tuvastamise paragrahvi (Paragrahv 10).

MÄRKUS: JUHUL, KUI SOOJAPUHUR LÜLITUB VÄLJA SEoses KÜTUSE KULUTUSEGA, LÜLITAGE SOOJAPUHUR VÄLJA, TANKIGE PAAKI JA LÜLITAGE SOOJAPUHUR TAAS SISSE (VT PARAGRAHV 5.1.).

▶ 6.2. ВЫКЛЮЧЕНИЕ НАГРЕВАТЕЛЯ:

TÄHELEPANU: ÄRGE LÜLITAGE PINGET VÄLJA EGA ÜHENDAGE TOITEKAABLIT VÕI PATAREID LAHTI ENNE SOOJAPUHURI TÄIELIKUT MAHA JAHTUMIST (umbes 5 minutit).

- ▶ 6.2.1. Pöörake „ON/OFF“ lüliti „OFF“ seisundisse (0) (A Joonis 3).

► **6.3. RUUMITERMOSTAADI ÜHENDAMINE**
(optionaalne):

TÄHELEPANU: RUUMITERMOSTAAT (OPTSIONAALNE) TÖÖTAB AINULT SEL JUHUL, KUI SOOJAPUHURIT TOETATAKSE TOITEKAABLI KAUDU.

TÄHELEPANU: JUHUL, KUI SOOJAPUHURIT JUHTIB RUUMITERMOSTAAT (OPTSIONAALNE), SOOJAPUHURI VÄLJALÜLITAMINE JA SISSELÜLITAMINE TOIMUVAD AUTOMAATSELT.

Võtke soojapuhuri kaas ära ja ühendage ruumitermostaat (optionaalne) (C Joonis 3).

►► **7. KÜTUSEFILTRI PUHASTAMINE**
Vt. Joonis 4
OLENEVALT KASUTATUD KÜTUSE KVALITEEDILT VÕIB OLLA VAJALIK FILTRI PUHASTAMINE

- 7.1. Võtke paagi kaas ära (A Joonis 4).
- 7.2. Tõmmake filter paagist välja.
- 7.3. Keerake mutter lahti (B Joonis 4).
- 7.4. Võtke filter lahti (C Joonis 4).
- 7.5. Holikalt puhastage filter puhta kütusega, et seda mitte kahjustada.
- 7.6. Pange filter tagasi paaki.

►► **8. HOID JA TRANSPORDIMINE**
SOOJAPUHURI OHUTUKS HOIUKS JA TRANSPORDIMISEKS ON SOOVITATUD TÄITA JÄRGMIST PROTSEDUURI:

- 8.1. Tühjendage soojapuhur kütusest.
- 8.2. Kui olete märganud sette olemasolu, tankige paak puhta kütusega ja valage see uuesti välja.
- 8.3. Suletage paagi kaas ja utiliseerige kütus vastavalt kehtivale normidele.
- 8.4. Soojapuhuri ohutuks hoiuks on soovitatud seda hoida siledas seisundis, et vältida kütuse leket, kuivas kohas, mis on kaitstud välismõjude eest.

►► **9. VEATEATED**
Vt. B Joonis 3

VIGA	PÕHJUS	LAHENDUS
KASUTUSVIGA		
F0	1. Lüliti "ON/OFF" on seadme vooluvõrku lülitamise ajal asendis "ON" (I)	1. Lülitage generaator vooluvõrgust välja, seade lüliti asendisse "OFF" (0), torgake pistik uuesti pistikupesasse ning lülitage lüliti asendisse "ON" (I)
FOTOELEMENTI VIGA		
F1	1. Puudub kütus 2. Kütus ei ole piisavalt puhas 3. Fotoelement on määrdunud või kahjustatud 4. Kütusefilter on määrdunud 5. Süüteviga	1. Seadke töölüli asendisse "OFF" (0) ja täitke kütusemahuti kütusega 2. Seadke töölüli asendisse "OFF" (0), tühjendage kütusemahuti ning täitke see puhta kütusega. Puhastage filter puhta kütusega. Olge ettevaatlik, et te filtrit mitte kahjustada (PUNKT 6) 3. Pöörduge teeninduskeskusesse 4. PUNKT 6 5. Pöörduge teeninduskeskusesse
TEMPERATUURIANDURI VIGA		
F2	1. Toide katkestatud 2. Kahjustatud andur	1. Pöörduge teeninduskeskusesse 2. Pöörduge teeninduskeskusesse
TERMOSTAADI VIGA		
F3	1. Generaator on seest ülekuumenenud 2. Tasakaaluandur	1. Lülitage generaator välja ja oodake, et see täielikult jahutuks 2. Pange ahi loodis ja stabiilsele pinnale
EBAPIISAV PINGE		
F4	1. Ebapiisav pinge	1. Veenduda, et seadme voolupinge on nõuetekohane
KÄIVITUMISE EBAÕNNESTUMINE KOLM KORDA		
FF	1. Kütuse puudumine 2. Kütusefilter on määrdunud 3. Fotosilm on määrdunud või defektne 4. Otsik on määrdunud või defektne 5. Ümbermineku sensori sekkumine	1. Pöörduge teeninduskeskusesse 2. Pöörduge teeninduskeskusesse 3. Pöörduge teeninduskeskusesse 4. Pöörduge teeninduskeskusesse 5. Pöörduge teeninduskeskusesse
PATAREI ON TÜHI		
PF	1. Patarei on tühi	1. Laadige patarei
SOOJAPUHUR ON OOTESEISUNDIS		
[]	1. Termostaat on ühendanud 2. Üleminek kaablitoitelt patarei toitele	1. Termostaadi temperatuur on seatud ruumitemperatuuri alla 2. Automaatne taassisselülitamine

►► 10. PROFÜLAKTILISE HOOLDUSE AJAKAVA

**TÄHELEPANU: ENNE MIS TAHES HOOLDUSS- VÕI PARANDUSTÖÖDE JUURDE ASUMIST TÕMMAKE TOI-
TEJUHTME PISTIK PISTIKUPESAST VÄLJA JA VEENDUGE, ET GENERAATOR ON KÜLM.**

**KUI KÜTTESEADET KASUTATAKSE ERITI TOLMUSES KESKKONNAS, ON VAJALIK SAGEDASEM HOOL-
DUS JA PUHASTAMINE.**

ELEMENT	HOOLDUSSAGEDUS	VÕIMALIK LAHENDUS
Kütusemahuti	Puhastada iga 150-200 töötunni järel või vastavalt vaja- dusele	Tühjendage mahuti ja loputage see puha- ta kütusega
Düüs	Puhastada või vahetada kord tööhooaja jooksul või vas- tavalt vajadusele	Pöörduge teeninduskeskusesse
Fotoelement	Puhastada kord tööhooaja jooksul või vastavalt vajadu- sele	Pöörduge teeninduskeskusesse
Kütusefilter	Puhastada või vahetada kaks korda tööhooaja jooksul või vastavalt vajadusele	Puhastage kütusefilter puhta kütusega
Süüteseade	Puhastada iga 1.000 töötunni järel või vastavalt vajadu- sele	Pöörduge teeninduskeskusesse
Ventilaatori labad	Puhastada vastavalt vajadusele	Pöörduge teeninduskeskusesse

►► 11. PROBLEEMI TUVASTAMINE

PROBLEEM	VÕIMALIK PÕHJUS	VÕIMALIK LAHENDUS
Generaator ei käivitu	<ol style="list-style-type: none"> 1. Generaator on blokeerunud 2. Lüliti on asendis "OFF" (0) 3. Puudub vool 4. Toitekaabel ei ole vooluvõrgus 5. Juhtimiskaart on blokeerunud 6. Toatermostaat on valesti seadistatud 7. Temperatuuriandur ei toimi 8. Kaitse on kahjustatud 	<ol style="list-style-type: none"> 1. Lülitage generaator välja ja uuesti sisse 2. Seadke lüliti asendisse "ON" (I) 3A. Ühendage toitejuhtme kaabel õigesti pistikupesasse 3B. Kontrollige elektrisüsteemi 3C. Pöörduge teeninduskeskusesse 3D. Patarei on tühi 4. Pöörduge teeninduskeskusesse 5A. Lülitage generaator välja ja uuesti sisse 5B. Vaadake vealiiki näidikult 5C. Pöörduge teeninduskeskusesse 6. Reguleerige toatermostaat temperatuurile, mis on kõr- gem kui generaatori töökeskkonna temperatuur 7A. Oodake vähemalt kümme minutit ning püüdke seejä- rel liikuda süütefaasi 7B. Pöörduge teeninduskeskusesse 8. Pöörduge teeninduskeskusesse
Mootor/pump käivitub, aga leek ei süti	<ol style="list-style-type: none"> 1. Puudub kütus 2. Süüteseade ei ole piisavalt puhas 3. Kütusefilter on määrdunud 4. Düüs ei ole piisavalt puhas 5. Fotoelement on määrdunud, kahjustatud või valesti paigaldatud 6. Mahutis on võõrkehasid 7. Elektrodid on kulunud või valel kaugusel 	<ol style="list-style-type: none"> 1. Lülitage generaator välja, täitke kütusemahuti kütuse- ga ja lülitage generaator uuesti sisse 2. Pöörduge teeninduskeskusesse 3. Puhastage filter puhta kütusega 4. Pöörduge teeninduskeskusesse 5. Pöörduge teeninduskeskusesse 6. Tühjendage kütusemahuti ja täitke uuesti puhta kütu- sega 7. Pöörduge teeninduskeskusesse
Ventilaator ei pöörle või pöörleb liiga aeglaselt	<ol style="list-style-type: none"> 1. Kahjustatud mootor 	<ol style="list-style-type: none"> 1. Pöörduge teeninduskeskusesse

IMPORTANT: TREBUIE SĂ CITIȚI PREZENTELE INSTRUCȚIUNI ÎNAINTE SĂ MONTAȚI, SĂ PORNIȚI SAU SĂ ÎNTREȚINEȚI GENERATORUL. UTILIZAREA NECORESPUNZĂTOARE A GENERATORULUI POATE PROVOCA LEZIUNI GRAVE. TREBUIE SĂ PĂSTRAȚI ACESTE INSTRUCȚIUNI PENTRU A LE PUTEA CONSULTA PE VIITOR.

►► 1. INFORMAȚII PRIVIND SIGURANȚĂ (AVERTISMENTE)



IMPORTANT: Încălzitorul de aer a fost proiectat pentru aplicații profesionale mobile și temporare. Nu a fost proiectat pentru uz casnic și nici pentru confortul termic al persoanelor.



IMPORTANT: Acest aparat nu este adecvat pentru a fi folosit de către persoane (inclusiv copii) cu capacități fizice, senzoriale sau mentale reduse sau de către persoane fără experiență, cu excepția cazului în care sunt supravegheate de către o persoană responsabilă de siguranța lor. Supravegheați copiii pentru a vă asigura că nu se joacă cu aparatul.



PERICOL: Asfixierea cu oxid de carbon poate fi fatală.

Primele simptome ale intoxicației cu oxid de carbon sunt asemănătoare cu cele ale gripei: dureri de cap, amețeli și/sau greață. Aceste simptome pot fi provocate de funcționarea defectuoasă a aparatului. **ÎN CAZUL ÎN CARE SE PREZINTĂ ACESTE SIMPTOME IESIȚI IMEDIAT LA AER** și apelați serviciul de asistență tehnică pentru reparația aparatului.

1.1. ALIMENTARE:

- 1.1.1. Personalul responsabil cu alimentarea aparatului trebuie să fie calificat și să cunoască foarte bine instrucțiunile producătorului și normele în vigoare cu privire la alimentarea în condiții de siguranță a aparatelor de încălzire.
- 1.1.2. Utilizați numai tipul de combustibil indicat în mod specific pe plăcuța de identificare a aparatului de încălzire.
- 1.1.3. Înainte de a alimenta aparatul, opriți-l și așteptați să se răcească.
- 1.1.4. Cisternele de depozitare a combustibilului trebuie păstrate într-o clădire separată.
- 1.1.5. Toate recipientele cu combustibil trebuie să fie păstrate la distanța minimă de siguranță indicată de normele în vigoare.
- 1.1.6. Combustibilul trebuie păstrat în încăperi în care pardoseala nu permite penetrarea și scurgerea acestuia pe flăcări; acest lucru poate provoca aprinderea combustibilului.
- 1.1.7. Păstrarea combustibilului trebuie făcută conform normelor în vigoare.

1.2. SIGURANȚĂ:

- 1.2.1. Nu utilizați niciodată aparatul de încălzire în încăperi în care se află benzină, solvenți pentru vopsele sau alți vapori puternic inflamabili.
- 1.2.2. În timpul utilizării aparatului de încălzire respectați toate legile locale și normele în vigoare.
- 1.2.3. Aparatele utilizate în apropierea prelatelor sau al altor materiale folosite pentru acoperire, trebuie amplasate la distanță de siguranță față de acestea. Se recomandă utilizarea materialelor pentru acoperire de tip ignifug.
- 1.2.4. Utilizați numai în zone bine aerisite. Pregătiți o deschizătură adecvată, conform normelor în vigoare, pentru a aspira aer proaspăt din exterior.
- 1.2.5. Alimentați aparatul de încălzire numai cu curent cu tensiunea și frecvența indicate pe plăcuța de identificare a acestuia.
- 1.2.6. Utilizați numai prelungitoare cu trei fire legate corespunzător la împământare.
- 1.2.7. Distanțele minime de siguranță recomandate care trebuie respectate între aparatul de încălzire și substanțele in-

flamabile sunt: în partea anterioară = 2,5 m (8 ft); în partea laterală, sus și în spate = 1,5 m (5 ft).

- 1.2.8. Așezați aparatul cald sau în funcțiune, pe o suprafață stabilă și dreaptă, pentru a preveni riscurile de incendiu.
- 1.2.9. Țineți animalele la distanță de siguranță față de aparatul de încălzire.
- 1.2.10. Întrerupeți alimentarea sau scoateți bateria din aparatul de încălzire atunci când nu îl utilizați.
- 1.2.11. Când este controlat de un termostat, aparatul de încălzire poate porni în orice moment.
- 1.2.12. Nu utilizați aparatul de încălzire în încăperi locuite sau în dormitoare.
- 1.2.13. Când aparatul este cald, conectat la rețeaua electrică, alimentat de la baterie sau este în funcțiune, acesta nu trebuie mutat, manipulat sau supus operațiilor de întreținere.
- 1.2.14. Păstrați materialele inflamabile sau termolabile (inclusiv cablul de alimentare) la distanță de siguranță față de părțile calde ale aparatului de încălzire.
- 1.2.15. În cazul în care cablul de alimentare sau bateria sunt deteriorate, acestea trebuie înlocuite de centrul de asistență tehnică pentru a preveni orice risc (eliminați materialele deteriorate conform prevederilor normelor în vigoare).
- 1.2.16. Înainte de a conecta cablul de alimentare și/sau bateria reîncărcabilă, asigurați-vă ca aparatul să fie oprit în scopul evitării riscurilor.
- 1.2.17. Utilizați exclusiv baterii reîncărcabile originale special prevăzute. Utilizarea bateriilor reîncărcabile necorespunzătoare poate provoca daune și poate pune în pericol viața persoanelor; poate provoca leziuni, arsuri, explozii, electrocutare sau otrăvire.
- 1.2.18. Păstrați o distanță de siguranță corespunzătoare între bateria reîncărcabilă deconectată și cleme, monede, chei, cuie, șuruburi și alte obiecte mici din metal care pot provoca un scurtcircuit. Un eventual scurtcircuit între contactele bateriei reîncărcabile poate provoca daune sau poate pune în pericol viața persoanelor; de asemenea, poate provoca leziuni, arsuri, explozii etc.
- 1.2.19. Utilizarea necorespunzătoare a bateriei reîncărcabile poate provoca ieșirea lichidului din baterie. Evitați contactul. În caz de contact accidental, clătiți bine cu apă. În cazul în care lichidul intră în contact cu ochii, adresați-vă imediat medicului. Lichidul ieșit din bateria reîncărcabilă poate cauza arsuri sau iritații ale pielii.
- 1.2.20. Utilizarea incorectă a bateriei reîncărcabile poate provoca ieșirea vaporilor din baterie. Evitați inhalarea acestor vapori. Aerișiți, iar în caz de inhalare accidentală adresați-vă medicului. Vaporii pot irita căile respiratorii.
- 1.2.21. În scopul evitării riscurilor grave, nu încercați să deschideți/demontați bateria reîncărcabilă.
- 1.2.22. În scopul evitării riscurilor grave, protejați bateria reîncărcabilă împotriva căldurii (de exemplu împotriva radiației solare continue, a focului, apei, umidității etc.).
- 1.2.23. Utilizați bateria reîncărcabilă specifică numai cu acest aparat de încălzire în scopul evitării suprasarcinilor periculoase.
- 1.2.24. Utilizați exclusiv baterii reîncărcabile originale cu tensiunea indicată pe plăcuța cu date tehnice a aparatului de încălzire. În cazul utilizării altor baterii reîncărcabile (de exemplu baterii imitate, baterii regenerate, baterii ale concurenților etc.) există pericolul de leziuni și/sau explozii.
- 1.2.25. Încărcați bateria reîncărcabilă numai cu încărcătoare originale. Fiecare baterie are nevoie de un încărcător specific în scopul evitării riscurilor de incendiu și de explozie.
- 1.2.26. Urmați modalitățile de alimentare electrică indicate în acest manual. Este interzisă schimbarea modalității de

alimentare cu aparatul de încălzire în funcțiune, în scopul evitării daunelor grave.

- ▶ 1.2.27. Când aparatul de încălzire este gestionat de termostat sau se trece de la alimentarea electrică cu cablu la cea cu baterie, aparatul de încălzire se poate opri și intra în modalitate stand-by (pe afișaj apare semnalarea “[]”); acordați maximă atenție deoarece este posibil ca aparatul de încălzire să repornească automat în orice moment și poate cauza deteriorarea lucrurilor și vătămarea persoanelor.

▶▶ 2. DEZAMBALAREA

Vezi Fig. 1.

- ▶ 2.1. Înlăturați toate materialele utilizate pentru ambalarea și expedierea aparatului de încălzire și eliminați-le conform normelor în vigoare.
- ▶ 2.2. Scoateți toate articolele din ambalaj.
- ▶ 2.3. Verificați imediat dacă aparatul a suferit daune în timpul transportului. În cazul în care aparatul de încălzire pare deteriorat, informați imediat agentul de vânzare de la care a fost cumpărat.

▶▶ 3. DESCRIEREA ARTICOLELOR

▶ 3.1. CABLU DE ALIMENTARE (dacă este prevăzut):

CABLUL DE ALIMENTARE NU POATE FI FOLOSIT CA ÎNCĂRCĂTOR.

(Fig. 5) Aparatul de încălzire poate funcționa conectat la rețeaua electrică prin intermediul unui cablu de alimentare. Verificați periodic starea cablului, în scopul evitării daunelor grave. Respectați avertizările privind cablul de alimentare indicate în manualul de față.

▶ 3.2. BATERIA (dacă este prezentă):

(Fig. 6)

NOTE: ÎN FUNCȚIE DE CAPACITATEA BATERIEI (MĂSURATĂ ÎN Ah) UTILIZAȚI UN ÎNCĂRCĂTOR ORIGINAL CU PUTE-RE ADECVATĂ.

Aparatul de încălzire poate funcționa în mod autonom cu o baterie Li-ion reîncărcabilă originală, fără a fi conectat la rețeaua electrică. Bateria reîncărcabilă este furnizată parțial încărcată; înainte de a utiliza bateria se recomandă efectuarea unui ciclu complet de încărcare. Pentru a alimenta aparatul de încălzire utilizați doar baterii originale. Respectați avertizările privind bateria indicate în manualul de față.

▶ 3.3. ÎNCĂRCĂTORUL (dacă este prezent):

(Fig. 7) Încărcătorul este proiectat pentru a încărca bateriile Li-ion originale. Respectați parametrii de funcționare ai încărcătorului (vezi plăcuța cu date aplicată pe încărcător). Utilizați încărcătorul în locuri uscate și protejate împotriva prafului, pentru a încărca în mod exclusiv baterii reîncărcabile originale care pot fi utilizate pentru alimentarea acestui aparat de încălzire. Încărcătorul este prevăzut pentru a gestiona în mod automat ciclul corect de încărcare atunci când bateria reîncărcabilă este conectată (Fig. 8). Indicatorul luminos situat pe încărcător permit obținerea unui diagnostic detaliat în timpul fazei de încărcare a bateriei (Fig. 9). Respectați avertizările privind încărcătorul indicate în manualul de față.

▶▶ 4. COMBUSTIBIL

AVERTISMENT: Aparatul de încălzire funcționează numai cu combustibil DIESEL sau KEROSEN.

Utilizați numai combustibil diesel sau kerosen pentru a evita riscurile de incendiu sau explozie. Nu utilizați niciodată benzină, naftă, solvenți pentru vopsele, alcool sau alți combustibili puternic inflamabili.

Utilizați aditivi antigel netoxici în cazul temperaturilor foarte joase.

▶▶ 5. PRINCIPIUL DE FUNCȚIONARE

Vezi Fig. 2

Aerul necesar pentru asigurarea combustiei corecte este produs de rotația unui ventilator din interiorul arzătorului. Fluxul de aer iese din tubul arzătorului și se amestecă cu combustibilul care este pulverizat sub înaltă presiune, de către o duză specială. Combustibilul pulverizat de duză este aspirat din rezervor de o pompă electrică care în împinge apoi în duză sub înaltă presiune.

▶▶ 6. FUNCȚIONARE

AVERTISMENT: Citiți cu atenție paragraful „INFORMAȚII PRIVIND SIGURANȚA”, înainte de a porni aparatul.

IMPORTANT: După prima tentativă de pornire eșuată a aparatului de încălzire, verificați prezența combustibilului în rezervor, verificați ca filtrul combustibilului să fie curat și verificați ca aparatul de încălzire să fie așezat pe o suprafață plană și stabilă.

IMPORTANT: Acest dispozitiv este un aparat de încălzire cu raze infraroșii. Acesta încălzește obiecte, nu încălzește aerul.

IMPORTANT: Pentru a modifica tipul de alimentare electrică de la baterie la cablu și invers, opriți aparatul de încălzire respectând cu strictețe întreaga procedură pentru a evita daune grave.

▶ 6.1. PORNIREA APARATULUI DE ÎNCĂLZIRE:

- ▶ 6.1.1. Respectați toate instrucțiunile cu privire la siguranță.
- ▶ 6.1.2. Controlați prezența combustibilului în rezervor.
- ▶ 6.1.3. Închideți capacul rezervorului.
- ▶ 6.1.4. Conectați ștecherul de alimentare la rețeaua electrică sau la bateria încărcată (CONSULTAȚI ARTICOLUL TENSIUNE ÎN „TABELUL CU DATE TEHNICE” (Fig. 10-11).
- ▶ 6.1.5. Duceți întrerupătorul „ON/OFF” în poziția „ON” (I) (A Fig. 3). Aparatul de încălzire ar trebui să pornească în câteva secunde. În cazul în care aparatul de încălzire nu pornește, consultați paragraful de identificare a problemelor (Parag. 10).

NOTE: ÎN CAZUL OPRIRII APARATULUI DE ÎNCĂLZIRE DATORITĂ TERMINĂRII COMBUSTIBILULUI, OPRIȚI APARATUL, ALIMENTAȚI REZERVORUL ȘI REPORNIȚI APARATUL DE ÎNCĂLZIRE (VEZI PARAG. 5.1.).

▶ 6.2. OPRIREA APARATULUI DE ÎNCĂLZIRE:

ATENȚIE: NU ÎNTRERUPEȚI NICIODATĂ TENSIUNEA, NU DECONECTAȚI CABLUL DE ALIMENTARE ȘI NU ÎNLĂTURAȚI BATERIA PÂNĂ LA RĂCIREA COMPLETĂ A APARATULUI DE ÎNCĂLZIRE (aprox. 5 minute).

- ▶ 6.2.1. Duceți întrerupătorul „ON/OFF” în poziția „OFF” (0) (A Fig. 3).

▶ 6.3. CONECTAREA TERMOSTATULUI AMBIENT

(opțional):

ATENȚIE: TERMOSTATUL AMBIENT (OPȚIONAL) FUNCȚIONEAZĂ NUMAI CÂND APARATUL DE ÎNCĂLZIRE ESTE ALIMENTAT CU CABLUL DE ALIMENTARE.

ATENȚIE: CÂND APARATUL DE ÎNCĂLZIRE ESTE GESTIONAT DE TERMOSTATUL AMBIENT (OPȚIONAL), OPRIREA ȘI REPORNIREA APARATULUI DE ÎNCĂLZIRE SE FACE AUTOMAT.

Scoateți capacul aparatului și conectați termostatul ambient (opțional) (C Fig. 3).

►►7. CURĂȚAREA FILTRULUI DE COMBUSTIBIL
Vezi Fig. 4

ÎN FUNCȚIE DE CALITATEA COMBUSTIBILULUI UTILIZAT POATE FI NECESARĂ CURĂȚAREA FILTRULUI.

- 7.1. Înlăturați capacul poziționat pe rezervor (A Fig. 4).
- 7.2. Scoateți filtrul din rezervor.
- 7.3. Desfaceți piulița (B Fig. 4).
- 7.4. Scoateți filtrul (C Fig. 4).
- 7.5. Curățați filtrul cu combustibil curat și acordați atenție să nu îl deteriorați.
- 7.6. Montați la loc filtrul în rezervor.

►►8. PĂSTRARE ȘI TRANSPORT
PENTRU PĂSTRAREA ȘI/SAU TRANSPORTUL CORECT AL APARATULUI DE ÎNCĂLZIRE SE RECOMANDĂ RESPECTAREA URMĂTOAREI PROCEDURI:

- 8.1. Goliți combustibilul din rezervor.
- 8.2. Dacă observați reziduuri, vărsați combustibil curat în rezervor și goliți-l din nou.
- 8.3. Închideți capacul rezervorului și eliminați combustibilul în mod corect și conform normelor în vigoare.
- 8.4. Pentru a păstra aparatul de încălzire în cele mai bune condiții, se recomandă să îl păstrați pe o suprafață dreaptă pentru a evita pierderile de combustibil; de asemenea, se recomandă păstrarea la loc uscat, ferit de acțiunea agenților externi.

►►9. ERORI DISPLAY

Vezi B Fig. 3

EROARE	CAUZĂ	SOLUȚIE
EROARE OPERATIVĂ		
F0	1. Butonul pornire/oprire "ON/OFF" este la poziția "ON" (I) atunci când generatorul este cuplat la rețeaua electrică	1. După decuplarea generatorului de la rețeaua electrică setați butonul de pornire/oprire la poziția "OFF" (0), cuplați din nou mufa la rețeaua electrică și setați butonul de pornire/oprire la poziția "ON" (I)
EROARE FOTOCELULĂ		
F1	1. Lipsă combustibil 2. Combustibil cu impurități 3. Fotocelulă murdară sau deteriorată 4. Filtru de combustibil cu impurități 5. Eroare aprindere	1. Setați butonul de pornire/oprire la poziția "OFF" (0), umpleți rezervorul cu combustibil 2. Setați butonul de pornire/oprire la poziția "OFF" (0) goliți și apoi umpleți din nou rezervorul de combustibil. Curățați filtrul cu combustibil curat, aveți grijă să nu-l stricați (VEZI PARAG. 6) 3. Cereți ajutorul la centrul de asistență tehnică 4. VEZI PARAG. 6 5. Cereți ajutorul la centrul de asistență tehnică
EROARE SENZOR DE CONTROL TEMPERATURĂ		
F2	1. Cablu întrerupt 2. Senzor deteriorat	1. Cereți ajutorul la centrul de asistență tehnică 2. Cereți ajutorul la centrul de asistență tehnică
EROARE TERMOSTAT		
F3	1. Supraîncălzire internă generator 2. Senzor împotriva răsturnării	1. Opriți generatorul și așteptați până ce se răcește complet 2. Așezați soba pe o suprafață dreaptă și stabilă
TENSIUNE NEADEC VATĂ		
F4	1. Tensiune neadecvată	1. Verificați tensiunea corectă a instalației dvs
LIPSA PORNIRII DUPĂ TREI TENTATIVE		
FF	1. Lipsă combustibil 2. Filtru de combustibil murdar 3. Fotocelulă murdară sau defectă 4. Duză murdară sau defectă 5. Intervenție senzor antitiltng	1. Cereți ajutorul la centrul de asistență tehnică 2. Cereți ajutorul la centrul de asistență tehnică 3. Cereți ajutorul la centrul de asistență tehnică 4. Cereți ajutorul la centrul de asistență tehnică 5. Cereți ajutorul la centrul de asistență tehnică
BATERIE DESCĂRCATĂ		
PF	1. Baterie descărcată	1. Încărcați bateria
APARAT DE ÎNCĂLZIRE ÎN STAND-BY		
[]	1. Termostat conectat 2. Trecerea de la alimentarea cu cablu la alimentarea cu baterie	1. Temperatura termostatului este setată sub temperatura ambientală 2. Repornire automată

►► 10. PROGRAM DE ÎNTREȚINERE PREVENTIVĂ

ATENȚIE: ÎNAINTE DE A ÎNCEPE ORICE ACTIVITĂȚI DE ÎNTREȚINERE SAU DE REPARARE, DECUPLAȚI CABLUL DE ALIMENTARE DE LA REȚEAUA ELECTRICĂ ȘI ASIGURAȚI-VĂ CĂ GENERATORUL ESTE RECE.

DACĂ APARATUL DE ÎNCĂLZIRE SE UTILIZEAZĂ ÎN MEDII CU FOARTE MULT PRAF, ESTE NECESAR SĂ EFECTUAȚI O ÎNTREȚINERE ȘI O CURĂȚARE MAI FRECVENTĂ.

PIESĂ	FRECVENȚĂ ÎNTREȚINERE	PROCEDURĂ ÎNTREȚINERE
Rezervor combustibil	Curățați după fiecare 150-200 de ore de funcționare sau în funcție de necesități	Goliți și clătiți rezervorul cu combustibil curat
Duza	Curățați sau schimbați o dată pe parcursul unui sezon de funcționare sau în funcție de necesități	Cereți ajutorul la centrul de asistență tehnică
Fotocelula	Curățați o dată pe parcursul unui sezon de funcționare sau în funcție de necesități	Cereți ajutorul la centrul de asistență tehnică
Filtru combustibil	Curățați sau schimbați de două ori pe parcursul unui sezon de funcționare sau în funcție de necesități	Curățați filtrul de combustibil cu combustibil curat
Dispozitiv aprindere	Curățați sau schimbați la fiecare 1.000 de ore de funcționare sau în funcție de necesități	Cereți ajutorul la centrul de asistență tehnică
Pale rotor	Curățați în funcție de necesități	Cereți ajutorul la centrul de asistență tehnică

►► 11. IDENTIFICARE PROBLEMĂ

PROBLEMĂ	CAUZĂ POSIBILĂ	SOLUȚIE POSIBILĂ
Generatorul nu se pornește	<ol style="list-style-type: none">1. Generator blocat2. Butonul de pornire/oprire se află la poziția "OFF" (0)3. Lipsă tensiune4. Cablu de alimentare decuplat5. Card de control blocat6. Setare greșită a termostatului de cameră7. Intervenția senzorului de temperatură8. Siguranță deteriorată	<ol style="list-style-type: none">1. Opriți și porniți din nou generatorul2. Setati butonul de pornire/oprire la poziția "ON" (I)3A. Introduceți corect cablul de alimentare în priză de rețea electrică3B. Verificați instalația de rețea3C. Cereți ajutorul la centrul de asistență tehnică3D. Baterie descărcată4. Cereți ajutorul la centrul de asistență tehnică5A. Opriți și porniți din nou generatorul5B. Identificați eroarea pe display5C. Cereți ajutorul la centrul de asistență tehnică6. Reglați termostatul de cameră, setați-l la o temperatură superioară față de temperatura mediului de lucru7A. Așteptați cel puțin zece minute, iar apoi încercați din nou să treceți la faza de aprindere7B. Cereți ajutorul la centrul de asistență tehnică8. Cereți ajutorul la centrul de asistență tehnică
Motorul/pompa se pornește dar flacăra nu se aprinde	<ol style="list-style-type: none">1. Lipsă combustibil2. Dispozitiv de aprindere contaminat3. Filtru de combustibil contaminat4. Duză contaminată5. Fotocelula este murdară, deteriorată sau a fost instalată incorect6. În rezervor se află substanțe străine7. Electrozi uzați sau situați la distanță greșită	<ol style="list-style-type: none">1. Opriți generatorul, umpleți rezervorul cu combustibil și porniți din nou generatorul2. Cereți ajutorul la centrul de asistență tehnică3. Curățați filtrul cu combustibil curat4. Cereți ajutorul la centrul de asistență tehnică5. Cereți ajutorul la centrul de asistență tehnică6. Goliți și umpleți din nou rezervorul cu combustibil curat7. Cereți ajutorul la centrul de asistență tehnică
Rotorul este blocat sau se învârtă prea încet	<ol style="list-style-type: none">1. Motor avariata	<ol style="list-style-type: none">1. Cereți ajutorul la centrul de asistență tehnică

DÔLEŽITÉ: PRED ZAČATÍM MONTÁŽE, PRED SPUSTENÍM ALEBO VYKONÁVANÍM ÚDRŽBY GENERÁTORA JE POTREBNÉ OBOZNÁMIŤ SA S NASLEDUJÚCIMI POKYNNI. NESPRÁVNE POUŽÍVANIE GENERÁTORA MÔŽE SPÔSOBIŤ VÁŽNE ÚRAZY. ZACHOVAJTE TÚTO PRÍRUČKU PRE PRÍPADNÉ BUDÚCE POUŽITIE.

►► 1. INFORMÁCIE O BEZPEČNOSTI (UPOZORNENIA)



DÔLEŽITÉ: Ohrievač vzduchu bol navrhnutý pre mobilné a dočasné profesionálne použitie. Nebol navrhnutý pre domáce použitie ani pre tepelný komfort osôb.



DÔLEŽITÉ: Tento spotrebič nie je určený na používanie osobami (vrátane detí) so zníženými fyzickými, zmyslovými alebo duševnými schopnosťami, alebo neskúsenými osobami, pokiaľ nie sú pod dohľadom osoby zodpovednej za ich bezpečnosť. Deti musia byť pod dozorom, aby sa zaistilo, že sa nebudú s prístrojom hrať.



NEBEZPEČENSTVO: Udusenie oxidom uhoľnatým môže byť fatálne.

Prvé príznaky dusenia kyslíčnikom uhoľnatým sa podobajú chrípke, s bolesťami hlavy, závratmi a/alebo nevoľnosťou. Tieto príznaky môžu byť spôsobené nesprávnym fungovaním ohrievača. V PRÍPADE VÝSKYTU TÝCHTO PRÍZNAKOV OKAMŽITE VYJDITE VON Z MIESTNOSTI a nechajte opraviť ohrievač v technickom servisnom stredisku.

1.1. TANKOVANIE:

- 1.1.1. Pracovníci zodpovední za čerpanie pohonných hmôt musia byť kvalifikovaní a plne oboznámení s pokynmi výrobcu a platnými predpismi, ktoré sa vzťahujú k bezpečnosti zásobovania vykurovacích telies.
- 1.1.2. Používajte iba typ paliva výslovne uvedený na typovom štítku ohrievača.
- 1.1.3. Pred doplňovaním paliva vypnite ohrievač a nechajte ho vychladnúť.
- 1.1.4. Nádrže na skladovanie paliva musia byť umiestnené v samostatnom objekte.
- 1.1.5. Všetky palivové nádrže musia byť v minimálnej bezpečnej vzdialenosti od ohrievača, v súlade s platnými normami.
- 1.1.6. Palivo musí byť skladované v miestnostiach, ktorých podlaha neumožňuje prienik a musí byť zamedzené kvapkaniu paliva na plamene, ktoré môžu spôsobiť jeho vznietenie.
- 1.1.7. Skladovanie paliva musí byť vykonané v súlade s miestnymi predpismi.

1.2. BEZPEČNOSŤ:

- 1.2.1. Nikdy nepoužívajte ohrievač v miestnosti, v ktorej sa vyskytuje benzín, riedidlá alebo iné vysoko horľavé výpary.
- 1.2.2. Počas používania ohrievača dodržiavajte všetky miestne predpisy a platné normy.
- 1.2.3. Ohrievače používané v blízkosti plachiet, stanov a iných podobných krycích materiálov musia byť umiestnené v bezpečnej vzdialenosti od nich. Odporúča sa na prikryvanie používať ohňovzdorné materiály.
- 1.2.4. Používajte iba v dobre vetraných priestoroch. Postarajte sa o zabezpečenie adekvátneho otvoru, v súlade s predpismi, pre prívod čerstvého vzduchu z vonkajšieho prostredia.
- 1.2.5. Napájajte ohrievač iba prúdom s napätím a frekvenciou, ako je uvedené na typovom štítku ohrievača.
- 1.2.6. Používajte iba vhodné uzemnené trojvodičové predlžovačky.

- 1.2.7. Minimálne odporúčané bezpečné vzdialenosti medzi ohrievačom a horľavými látkami sú: predný výstup = 2,5 m (8 stôp) bočný, horný a zadný = 1,5 m (5 stôp).
- 1.2.8. Umiestnite teplý ohrievač, alebo ohrievač v prevádzke na pevný a rovný povrch, aby sa zabránilo nebezpečenstvu vzniku požiaru.
- 1.2.9. Udržujte domáce zvieratá v bezpečnej vzdialenosti od ohrievača.
- 1.2.10. Odpojte napájanie alebo batériu z ohrievača, ak ho nepoužívate.
- 1.2.11. Ak je ohrievač riadený termostatom, môže sa kedykoľvek zapnúť.
- 1.2.12. Nikdy nepoužívajte ohrievač v často obývaných miestnostiach, ani v spálňach.
- 1.2.13. Keď je ohrievač teplý, zapojený do elektrickej siete, napájaný batériou alebo v prevádzke, nesmie byť nikdy premiestňovaný, manipulovaný, doplňovaný alebo podrobovaný akejkoľvek údržbe.
- 1.2.14. Dodržujte bezpečnú vzdialenosť teplých častí ohrievača od horľavých alebo tepelne nestálych materiálov (vrátane napájacieho kábla).
- 1.2.15. Ak by došlo k poškodeniu napájacieho kábla alebo batérie, musia byť vymenené technickým servisným strediskom, aby sa zabránilo akémukoľvek riziku (zlikvidujte poškodené zariadenie podľa platných predpisov).
- 1.2.16. Uistite sa, že ohrievač je vypnutý pred pripojením napájacieho kábla a / alebo vložením dobijacej batérie, aby sa zabránilo každému nebezpečenstvu.
- 1.2.17. Používajte iba a výhradne originálne dobijacie batérie. Použitie nesprávnych dobijacích batérií môže zapríčiniť škody alebo ohrozenie života osôb, zranenia, popáleniny, výbuchy, elektrické šoky alebo otravy.
- 1.2.18. Zachovávajte adekvátnu bezpečnú vzdialenosť medzi odpojenou dobijacou batériou a kancelárskymi sponkami, mincami, kľúčmi, kľincami, skrutkami alebo ďalšími drobnými kovovými predmetmi, ktoré by mohli spôsobiť skrat. Skrat medzi kontaktmi dobijacej batérie môže zapríčiniť škody alebo ohrozenie života osôb, zranenia, popáleniny, výbuchy, atď.
- 1.2.19. Nesprávne použitie dobijacej batérie môže spôsobiť únik kvapaliny z batérie. Vyhnite sa kontaktu. V prípade náhodného kontaktu dôkladne opláchnite vodou. Okamžite vyhľadajte lekársku pomoc, ak sa kvapalina dostane do kontaktu s očami. Unikajúca kvapalina z dobijacej batérie môže spôsobiť podráždenie pokožky alebo popáleniny.
- 1.2.20. Nesprávne použitie dobijacej batérie môže spôsobiť únik výparov z batérie. Vyhnite sa vdychovaniu týchto výparov. Zaistite prívod čerstvého vzduchu v prípade náhodného vdychnutia a navštívte lekára pri ťažkostiach. Výpary môžu dráždiť dýchacie cesty.
- 1.2.21. Aby sa predišlo vážnym rizikám nesnažte sa dobijajúcu batériu otvárať/rozoberať.
- 1.2.22. Aby sa predišlo vážnym rizikám chráňte dobijajúcu batériu pred teplom (napríklad dlhodobé slnečné žiarenie, oheň, voda, vlhkosť, atď.).
- 1.2.23. Používajte špecifickú dobijajúcu batériu iba s týmto ohrievačom, aby sa zabránilo nebezpečným preťaženiam.
- 1.2.24. Používajte len originálne dobijacie batérie s napätím uvedeným na typovom štítku ohrievača. V prípade použitia iných dobijacích batérií (napríklad napodobeniny batérií, regenerované batérie, batérie iných výrobcov, atď.) existuje nebezpečenstvo úrazu a/alebo výbuchu.

- ▶ 1.2.25. Nabíjajte dobíjaciu batériu iba a výhradne s originálnymi nabíjačkami batérií. Každá batéria potrebuje špecifickú nabíjačku batérie, aby sa zabránilo nebezpečenstvu vzniku požiaru a výbuchu.
- ▶ 1.2.26. Používajte iba napájací zdroj uvedený v tejto príručke. Je zakázané meniť režim napájania s ohrievačom v prevádzke, aby sa zabránilo vážnym škodám.
- ▶ 1.2.27. Keď je ohrievač ovládaný termostatom alebo je prepnutý z napájacieho zdroja do napájania batériou, ohrievač sa môže vypnúť a vstúpiť do pohotovostného režimu (na displeji sa zobrazí správa „[]“), dávajte pozor, pretože ohrievač sa môže kedykoľvek automaticky zapnúť a spôsobiť vážne poškodenie vecí a osôb.

▶▶ 2. ROZBALENIE

Pozri Obr. 1

- ▶ 2.1. Odstráňte všetky obalové materiály, ktoré boli použité na zabalenie a dodanie ohrievača a likvidujte ich podľa platných predpisov.
- ▶ 2.2. Z obalu vyberte všetky diely.
- ▶ 2.3. Skontrolujte prípadné škody, ktoré vznikli v priebehu prepravy. Ak sa vám zdá ohrievač poškodený, okamžite informujte predajcu, u ktorého bol zakúpený.

▶▶ 3. POPIS VÝROBKOV

▶ 3.1. NAPÁJACÍ KÁBEL (ak je k dispozícii):

NAPÁJACÍ KÁBEL NEPLNÍ FUNKCIU NABÍJAČKY BATÉRIE.

(Obr. 5) Ohrievač môže pracovať pripojený k elektrickej sieti pomocou napájacieho kábla. Pravidelne kontrolujte stav napájacieho kábla, aby nedošlo k vážnemu poškodeniu. Dodržiavajte všetky upozornenia týkajúce sa napájacieho kábla uvedené v tejto príručke

▶ 3.2. BATÉRIA (ak je k dispozícii):

(Obr. 6)

POZNÁMKY: V ZÁVISLOSTI OD KAPACITY BATÉRIE (MERANIE V Ah) JE NUTNÉ POUŽÍVAŤ ORIGINÁLNU NABÍJAČKU BATÉRIE S ADEKVÁTNYM VÝKONOM.

Ohrievač môže pracovať samostatne s originálnou dobíjacou Li-iónovou batériou bez toho, aby musel byť zapojený do elektrickej siete. Dobíjacia batéria je dodávaná čiastočne nabitá a z tohto dôvodu sa odporúča vykonať úplný cyklus nabitia pred jej použitím. Používajte iba originálne dobíjacie batérie pre napájanie tohto ohrievača. Dbajte na všetky upozornenia vzťahujúce sa k batérii, ako je popísané v tomto návode.

▶ 3.3. NABÍJAČKA BATÉRIE (ak je k dispozícii):

(Obr. 7) Nabíjačka batérie je určená pre dobíjanie originálnych dobíjacích lítium-iónových batérií. Musia byť dodržané prevádzkové parametre nabíjačky batérie (pozri typový štítok na nabíjačke). Používajte nabíjačku batérie na úplne suchých miestach, chránených pred prachom pre nabíjanie iba originálnych dobíjacích batérií, používaných na napájanie tohto ohrievača. Nabíjačka batérie je určená k automatickému riadeniu správneho nabíjacieho cyklu, keď je pripojená dobíjacia batéria (Obr. 8). Svetelný indikátor umiestnený na nabíjačke umožňuje mať podrobnú diagnostiku počas fázy vyhľadávania (Obr. 9). Dbajte na všetky upozornenia v tomto návode, vzťahujúce sa na dodanú nabíjačku batérie.

▶▶ 4. PALIVO

UPOZORNENIE: Ohrievač pracuje iba s NAFTOU alebo PETROLEJOM.

Používajte iba naftu alebo petrolej, aby sa zabránilo nebezpečenstvu vzniku požiaru alebo výbuchu. Nikdy nepoužívajte benzín, surovú naftu (ropu), riedidlá na farby, alkohol a iné palivové vysoko horľavé látky.

V prípade použitia v podmienkach s nízkou teplotou používajte netoxické prídavky proti zamrznutiu.

▶▶ 5. PRINCÍPY FUNGOVANIA

Pozri Obr. 2

Vzduch potrebný na zabezpečenie správneho spaľovania je generovaný otáčaním vnútorného ventilátora vnútri horáka. Prítok vzduchu vychádza z výfukového potrubia horáka a mieša sa s palivom, ktoré je striekané tryskou pri vysokom tlaku. Prívod paliva nastriekaného tryskami je zabezpečený elektrickým čerpadlom, ktoré nasáva palivo z nádrže a tlačí ho pri vysokom tlaku do trysky.

▶▶ 6. PREVÁDZKA

UPOZORNENIE: Pred zapnutím ohrievača si pozorne prečítajte „INFORMÁCIE O BEZPEČNOSTI“.

DÔLEŽITÉ: Po prvom neúspešnom zapnutí ohrievača skontrolujte prítomnosť paliva v nádrži, skontrolujte, či je palivový filter čistý a či je ohrievač umiestnený na rovnom a stabilnom povrchu.

DÔLEŽITÉ: Toto zariadenie je infračervený ohrievač. Ohrieva predmety, nie vzduch.

DÔLEŽITÉ: Ak chcete zmeniť typ napájacieho zdroja z batérie na kábel a obrátene, vypnite ohrievač a starostlivo dodržiavajte všetky postupy, aby nedošlo k vážnemu poškodeniu.

▶ 6.1. ZAPNUTIE OHRIEVAČA:

- ▶ 6.1.1. Dodržujte všetky bezpečnostné pokyny.
- ▶ 6.1.2. Skontrolujte prítomnosť paliva v nádrži.
- ▶ 6.1.3. Zatvorte uzáver nádrže.
- ▶ 6.1.4. Zapojte napájaciu zástrčku do elektrickej siete alebo nabíjajte batérie (POZRI NAPÄTIE V „TABUĽKE TECHNICKÝCH ÚDAJOV“) (Obr. 10-11).
- ▶ 6.1.5. Hlavný vypínač „ZAP/VYP“ otočte do polohy „ZAP“ (I) (A Obr. 3). Ohrievač by sa mal zapnúť behom niekoľkých sekúnd. Ak sa ohrievač nespustí, prečítajte si odstavec pre nájdenie problému (Odst. 10).

POZN.: V PRÍPADE VYPNUTIA OHRIEVAČA V DÔSLEDKU VYČERPANIA PALIVA OHRIEVAČ VYPNITE, DOPLŇTE PALIVO A ZNOVU OHRIEVAČ ZAPNITE (POZRI ODS. 5.1.).

▶ 6.2. VYPNUTIE OHRIEVAČA:

UPOZORNENIE: NEODPOJUJTE NAPÄTIE ALEBO NEODPOJUJTE NAPÁJACÍ KÁBEL ALEBO NEODSTRÁNUJTE BATÉRIU AŽ DO ÚPLNÉHO VYCHLADNUTIA OHRIEVAČA (asi 5 minút).

- ▶ 6.2.1. Hlavný vypínač „ZAP/VYP“ otočte do polohy „VYP“ (0) (A Obr. 3).

► **6.3. PRIPOJENIE IZBOVÉHO TERMOSTATU**
(voliteľný):

UPOZORNENIE: IZBOVÝ TERMOSTAT (VOLITELNÝ) FUNGUJE IBA VTEĎ, AK JE OHRIEVAČ NAPÁJANÝ CEZ NAPÁJACÍ KÁBEL.

UPOZORNENIE: KEĎ JE OHRIEVAČ RIADENÝ IZBOVÝM TERMOSTATOM (VOLITELNÝ), VYPNUTIE A OPĀTOVNÉ ZAPNUTIE OHRIEVAČA JE AUTOMATICKÉ.

Vyberte konektor pripojený k ohrievaču a pripojte izbový termostat (voliteľný) (C Obr. 3).

►► **7. ČISTENIE PALIVOVÉHO FILTRA**

Pozri Obr. 4

V ZÁVISLOSTI OD MNOŽSTVA POUŽITÉHO PALIVA MÔŽE BYŤ NEVYHNUTNÉ ČISTENIE FILTRA.

- 7.1. Odstráňte uzáver na nádrži (A Obr. 4).
- 7.2. Vyberte filter z nádrže.
- 7.3. Vyskrutkujte maticu (B Obr. 4).
- 7.4. Vytiahnite filter (C Obr. 4).
- 7.5. Vyčistite filter s čistým palivom, dávajte pozor, aby ste ho nepoškodili.
- 7.6. Znovu namontujte filter do nádrže.

►► **9. PORUCHY**

Pozri B Obr. 3

PORUCHA	PORUCHA	RIEŠENIE
	FUNKČNÁ PORUCHA	
F0	1. Vypínač "ON/OFF" je v polohe "ON" (I) v chvíli pripojenia generátora k elektrickému napätiu	1. Odpojiť generátor od elektrického napätia, prepnúť vypínač do polohy "OFF" (0), znovu pripojiť generátor k elektrickému napätiu a vypínač prepnúť do polohy "ON" (I)
	PORUCHA FOTOSENZORA	
F1	1. Nádrž je prázdna - žiadne palivo 2. Znečistené palivo 3. Senzor je zašpinený alebo poškodený 4. Palivový filter je zanesený 5. Porucha zapaľovania	1. Prepnúť vypínač do polohy "OFF" (0), do nádrže naliať palivo 2. Prepnúť vypínač do polohy "OFF" (0), vyčistiť nádrž (odstrániť palivo) a znovu naliať nové palivo. Vyčistiť filter čistým palivom. Postupovať opatrne, aby sa filter nepoškodil (POZRI BOD 6) 3. Obrátiť sa na centrum technickej podpory 4. POZRI BOD 6 5. Obrátiť sa na centrum technickej podpory
	PORUCHA TERMOSENZORA	
F2	1. Kábel prerušený 2. Poškodený senzor	1. Obrátiť sa na centrum technickej podpory 2. Obrátiť sa na centrum technickej podpory
	PORUCHA TERMOSENZORA	
F3	1. Vnútorne prehrievanie generátora 2. Senzor proti preklopeniu	1. Vypnúť generátor a počkať až kým úplne nevychladne 2. Umiestniť kachle na rovný a stabilný povrch
	NAPÄTIE NIE JE VHODNÉ	
F4	1. Napätie nie je vhodné	1. Skontrolujte správne napätie vášho zariadenia
	CHÝBAJÚCE ZAPNUTIE PO TROCH POKUSOCH	
FF	1. Nedostatok paliva 2. Palivový filter špinavý 3. Fotobunka špinavá alebo vadná 4. Tryska špinavá alebo vadná 5. Zásah senzora antitiltng	1. Obrátiť sa na centrum technickej podpory 2. Obrátiť sa na centrum technickej podpory 3. Obrátiť sa na centrum technickej podpory 4. Obrátiť sa na centrum technickej podpory 5. Obrátiť sa na centrum technickej podpory
	VYBITÁ BATÉRIA	
PF	1. Batéria je vybitá	1. Dobite batériu
	OHRIEVAČ V POKYTOVOSTNOM REŽIME	
[]	1. Pripojený termostat 2. Prepnutie z napájania cez kábel na batériu	1. Teplota termostatu nastavená pod teplotu prostredia 2. Automatické reštartovanie

►► **8. SKLADOVANIE A PREPRAVA**

PRE ČO NAJLEPŠIE UCHOVANIE A PREPRAVU OHRIEVAČA SA ODPORUČA DODRŽIAVAŤ NASLEDUJÚCI POSTUP:

- 8.1. Vyprázdňte palivo z nádrže.
- 8.2. Ak si všimnete prítomnosť zvyškov, nalejte čisté palivo do nádrže a znovu vypustite.
- 8.3. Zatvorte uzáver nádrže a zlikvidujte použité palivo zodpovedajúcim spôsobom podľa platných noriem.
- 8.4. Pre čo najlepšie uchovanie ohrievača sa odporúča udržiavať ho vo vyváženej polohe, aby nedochádzalo k eventúálnym únikom paliva, uschovávajújte ho na suchom mieste, chránenom pred možnými vonkajšími vplyvmi.

►► 10. HARMONOGRAM VYKONÁVANIA PREVENTÍVNEJ ÚDRŽBY

POZOR: PRED ZAČATÍM AKÝCHKOL'VEK ÚDRŽBÁRSKYCH ALEBO SERVISNÝCH PRÁČ, UISTIŤ SA, ČI JE GENERÁTOR VYCHLADENÝ A ČI JE ODPOJENÝ OD ELEKTRICKÉHO NAPÄTIA.

AK JE OHRIEVAČ POUŽÍVANÝ V OBZVLÁŠŤ PRAŠNOM PROSTREDÍ, VYŽADUJE SA ČASTEJŠIE ÚDRŽBA A ČISTENIE.


DIEL	FREKVENCIA ÚDRŽBY	PROCEDÚRA
Palivová nádrž	Čistiť po každých 150-200 hodín prevádzky, alebo podľa potreby	Odstrániť všetko palivo a nádrž vyčistiť čistým palivom
Tryska	Vyčistiť alebo vymeniť jeden raz v priebehu jednej prevádzkovej sezóny, alebo podľa potreby	Obrátiť sa na centrum technickej podpory
Fotosenzor	Čistiť raz v priebehu jednej prevádzkovej sezóny, alebo podľa potreby	Obrátiť sa na centrum technickej podpory
Palivový filter	Vyčistiť alebo vymeniť dvakrát v priebehu jednej sezóny prevádzky, alebo podľa potreby	Palivový filter vyčistiť čistým palivom
Zapaľovacie zariadenie	Čistiť alebo vymeniť po 1.000 hodinách prevádzky, alebo podľa potreby	Obrátiť sa na centrum technickej podpory
Lopatky rotora	Čistiť podľa potreby	Obrátiť sa na centrum technickej podpory


►► 11. IDENTIFIKÁCIA PROBLÉMU


PROBLÉM	MOŽNÁ PRÍČINA	MOŽNÉ RIEŠENIA
Generátor sa nespúšťa	<ol style="list-style-type: none"> 1. Generátor je zablokovaný 2. Vypínač je v polohe "OFF" (0) 3. Nie je el. napätie 4. Odpojený napájací kábel 5. Zablokovaná karta ovládania 6. Nesprávne nastavenie izbového termostatu 7. Zásah senzora teploty 8. Poškodená poistka 	<ol style="list-style-type: none"> 1. Vypnúť generátor a znovu ho zapnúť 2. Presunúť vypínač do polohy "ON" (I) 3A. Správne zasunúť zástrčku napájacieho kábla do zásuvky s el. napätím 3B. Skontrolovať elektrickú sieť 3C. Obrátiť sa na centrum technickej podpory 3D. Batéria je vybitá 4. Obrátiť sa na centrum technickej podpory 5A. Vypnúť generátor a znovu ho zapnúť 5B. Identifikovať chybu na displeji 5C. Obrátiť sa na centrum technickej podpory 6. Nastaviť izbový termostat, nastaviť ho na vyššiu teplotu ako je teplota prostredia 7A. Počkať desať minút a znovu sa pokúsiť vykonať procedúru spúšťania generátora 7B. Obrátiť sa na centrum technickej podpory 8. Obrátiť sa na centrum technickej podpory
Motor/čerpadlo sa spustí, ale plameň sa nezapáli	<ol style="list-style-type: none"> 1. Nádrž je prázdna - žiadne palivo 2. Zapaľovacie zariadenie je znečistené 3. Palivový filter je zanesený 4. Tryska je zanesená 5. Fotosenzor je zašpinený, poškodený alebo bol nesprávne namontovaný 6. Prítomnosť cudzích látok v nádrži 7. Opotrebované elektródy ale nastavené v nesprávnej vzdialenosti 	<ol style="list-style-type: none"> 1. Vypnúť generátor, naplniť nádrž palivom a znovu zapnúť generátor 2. Obrátiť sa na centrum technickej podpory 3. Vyčistiť filter čistým palivom 4. Obrátiť sa na centrum technickej podpory 5. Obrátiť sa na centrum technickej podpory 6. Odstrániť palivo z nádrže a znovu naplniť nádrž čistým palivom 7. Obrátiť sa na centrum technickej podpory
Rotor je zablokovaný alebo sa obracia príliš pomaly	<ol style="list-style-type: none"> 1. Poškodený motor 	<ol style="list-style-type: none"> 1. Obrátiť sa na centrum technickej podpory

ВАЖНО: ПРОЧЕТЕТЕ ТАЗИ ИНСТРУКЦИЯ ПРЕДИ ИНСТАЛАЦИЯТА, ЗАДЕЙСТВАНЕТО ИЛИ ПОДДРЪЖКАТА НА ГЕНЕРАТОРА. НЕПРАВИЛНОТО ИЗПОЛЗВАНЕ МОЖЕ ДА ДОВЕДЕ ДО СЕРИОЗНИ НАРАНЯВАНИЯ. ТОВА РЪКОВОДСТВО ТРЯБВА ДА БЪДЕ ЗАПАЗЕНО С ЦЕЛ НА ПО КЪСНИ КОНСУЛТАЦИИ.

►► 1. ИНФОРМАЦИЯ ОТНОСНО БЕЗОПАСНОСТТА (ПРЕДУПРЕЖДЕНИЯ)

 **ВАЖНО:** Този калорифер е проектиран за мобилни и временни професионални приложения. Той не е предназначен за домашна употреба, нито за осигуряване на топлинен комфорт на човека.

 **ВАЖНО:** Този уред не е подходящ за използване от страна на лица (включително деца) с ограничени физически, сензорни и умствени способности, както и от неопитни ползватели, освен ако не са под надзора на лице, отговорно за безопасността им. Децата трябва да бъдат контролирани, за да сте сигурни, че не играят с уреда.

 **ОПАСНОСТ:** Асфиксията, причинена от въглероден окис, може да бъде фатална.

Първите симптоми за асфиксия (задушаване) от въглероден окис наподобяват тези на грипа с главоболие, световъртеж и/или гадене. Тези симптоми биха могли да бъдат причинени от дефектна работа на отоплителния уред. В СЛУЧАЙ НА ПОЯВА НА ТЕЗИ СИМПТОМИ, НЕЗАБАВНО ИЗЛЕЗТЕ НА ОТКРИТО и дайте отоплителния уред на поправка в сервизния център.

1.1. ЗАРЕЖДАНЕ:

- 1.1.1. Отговорният за зареждането персонал трябва да бъде квалифициран и да е добре запознат с инструкциите на производителя и с действащата нормативна база по отношение на безопасното зареждане на отоплителните уреди.
- 1.1.2. Използвайте само вида гориво, изрично посочен върху идентификационната табела на отоплителния уред.
- 1.1.3. Преди да извършите зареждането, изключете отоплителния уред и изчакайте той да изстине.
- 1.1.4. Цистерните за съхранение на горивото трябва да се намират в отделна конструктивна сграда.
- 1.1.5. Всички резервоари за горивото трябва да се намират на минималната безопасна дистанция от отоплителния уред съгласно действащите нормативи.
- 1.1.6. Горивото трябва да се съхранява в помещения, чийто под да не позволява проникване и капене на същото върху намиращи се отдолу пламъци, които може да причинят запалването му.
- 1.1.7. Съхранението на горивото трябва да се извършва в съответствие с действащата нормативна база.

1.2. БЕЗОПАСНОСТ:

- 1.2.1. Никога не използвайте отоплителния уред в помещения, в които има бензин, разтворители за бои или други силно запалими пари.
- 1.2.2. По време на използване на отоплителния уред се придържайте към всички местни разпоредби и към действащата нормативна уредба.
- 1.2.3. Отоплителните уреди, използвани в близост до платнища, завеси или други подобни материали за покриване трябва да бъдат поставяни на безопасно разстояние от тях. Препоръчва се използване на покриващи материали от негорим вид.
- 1.2.4. Използвайте само в проветриви помещения. Осигурете подходящ отвор според действащите норми с цел да позволите влизането на чист въздух отвън.
- 1.2.5. Захранвайте отоплителния уред само с ток с напрежението и честотата, посочени върху идентификационната табелка на отоплителния уред.
- 1.2.6. Използвайте само трипроводникови удължители, правилно свързани към масата.
- 1.2.7. Препоръчителните минимални безопасни разстояния между отоплителния уред и запалимите вещества са: преден изход = 2,5 m (8 ft); странично, горе и отзад = 1,5 m (5 ft).
- 1.2.8. Поставете горещия или работещ отоплителен уред върху стабилна и нивелирана повърхност така, че да избегнете рисковете от пожар.

- 1.2.9. Дръжте животните на безопасно разстояние от отоплителния уред.
- 1.2.10. Спрете захранването или акумулатора на отоплителния уред, когато не го използвате.
- 1.2.11. Когато се управлява от термостат, отоплителният уред може да се запалва във всеки един момент.
- 1.2.12. Никога не използвайте отоплителния уред в често обитавани стаи, нито в спални.
- 1.2.13. Когато отоплителният уред е горещ, свързан е към електрическата мрежа, захранван от акумулатора или работи, никога не трябва да бъде преместван, да се борави с него, не може да бъде зареждан, нито подлаган на каквато и да е операция по поддръжка.
- 1.2.14. Поддържайте подходяща дистанция от запалими или термонепоустойливи материали (включително захранващия кабел) на горещите части на отоплителния уред.
- 1.2.15. При откриване на повреда по захранващия кабел или акумулатора, те трябва да бъдат подменени от сервиза за техническо обслужване, така че да се предотвратят всякакви рискове (изхвърляйте повредените материали съгласно действащата нормативна уредба).
- 1.2.16. Преди да включите електрическия кабел и/или да поставите акумулатора, проверявайте дали отоплителният уред е изключен, така че да предотвратите всякакви рискове.
- 1.2.17. Използвайте само и единствено изрично предвидените оригинални презареждащи батерии (акумулатори). Използването на непредвидени акумулаторни батерии може да нанесе щети или да създаде опасност за живота на хора, да предизвика наранявания, изгаряния, експлозии, електрошок или отравяне.
- 1.2.18. Поддържайте подходяща безопасна дистанция между разкачената акумулаторна батерия и скоби, монети, ключове, гвоздеи, болтове, винтове и други малки метални предмети, които биха могли да предизвикат евентуално късо съединение. Евентуално късо съединение между контактите на акумулаторната батерия може да предизвика щети или опасност за живота на хора, наранявания, изгаряния, експлозии и др...
- 1.2.19. Неправилното използване на акумулаторната батерия може да породи изтичане на течност от акумулатора. Задължително избягвайте допир. В случай на случаен контакт изплакнете щателно с вода. Незабавно потърсете медицинска помощ, ако течността влезе в контакт с очите. Изтеклата от акумулаторната батерия течност може да причини кожно дразнене или изгаряния.
- 1.2.20. Неправилната употреба на акумулаторната батерия може да предизвика изтичане на изпарения от нея. Задължително избягвайте да вдишвате тези пари. Оставете да влезе чист въздух и при случайно вдишване се обърнете към лекар за преглед в случай на проблеми. Изпаренията може да раздразнят дихателните пътища.
- 1.2.21. С цел избягване на сериозни рискове, не се опитвайте да отваряте/демантирате акумулаторната батерия.
- 1.2.22. С цел избягване на сериозни рискове, защитете акумулаторната батерия от топлина (например от непрекъснато слънчево греене, от огън, вода, влага и др.).
- 1.2.23. Използвайте конкретната акумулаторна батерия само и единствено с този отоплителен уред, за да избегнете опасни свърхтовари.
- 1.2.24. Използвайте единствено оригинални акумулаторни батерии с напрежението, посочено на табелката с техническите данни на отоплителния уред. При използване на други акумулаторни батерии (например акумулатори - имитации, регенерирани акумулатори, акумулатори на конкурентни фирми и др.) съществува опасност от наранявания и/или експлозии.
- 1.2.25. Зареждайте акумулаторната батерия само и единствено с оригинално зарядно устройство. Всяка акумулаторна батерия се нуждае от конкретното зарядно устройство, за да се избегнат рисковете от пожар или експлозии.
- 1.2.26. Използвайте само режимите на електрическо захранване, предвидени в това ръководство. Забранено е да промените режима на захранване при работещ отоплителен уред, за да не нанесете тежки щети.
- 1.2.27. Когато отоплителният уред се управлява от термостат или се преминава от електрическо захранване по кабел към

захранване от акумулаторна батерия, отоплителният уред може да изгасне и да влезе в режим на стендбай (на екрана се показва сигналът „I“), бъдете максимално внимателни, тъй като отоплителният уред може автоматично да се запали отново във всеки един момент и да причини сериозни щети на вещи или наранявания на хора.

►►2. РАЗОПАКОВАНЕ

Вж Сх. 1

- 2.1. Свалете всички опаковъчни материали, използвани за опаковане и изпращане на отоплителния уред и ги изхвърлете съгласно действащите норми.
- 2.2. Извадете всички части от опаковката.
- 2.3. Проверете за евентуални щети, нанесени по време на транспортиране. Ако отоплителният уред изглежда повреден, осведомете незабавно дистрибутора, от когото същият е закупен.

►►3. ОПИСАНИЕ НА АРТИКУЛИТЕ

►3.1. ЗАХРАНВАЩ КАБЕЛ (ако е наличен):

ЗАХРАНВАЩИЯТ КАБЕЛ НЯМА ФУНКЦИЯ НА ЗАРЯДНО УСТРОЙСТВО ЗА АКУМУЛАТОРНИ БАТЕРИИ.

(Сх. 5) Отоплителният уред може да работи, свързан към електрическата мрежа посредством захранващ кабел. Периодично проверявайте състоянието на кабела, за да избегнете риска от нанасяне на сериозни щети. Спазвайте всички предупреждения относно захранващия кабел, посочени в настоящото ръководство.

►3.2. АКУМУЛАТОРНА БАТЕРИЯ (ако е налична):

(Сх. 6)

ЗАБЕЛЕЖКИ: В ЗАВИСИМОСТ ОТ КАПАЦИТЕТА НА АКУМУЛАТОРНАТА БАТЕРИЯ (ИЗМЕРЕН В Ah), Е НЕОБХОДИМО ДА ИЗПОЛЗВАТЕ ОРИГИНАЛНО ЗАРЯДНО УСТРОЙСТВО ЗА АКУМУЛАТОР, С ПОДХОДЯЩА МОЩНОСТ.

Отоплителният уред може да работи автономно с оригинална литиево-йонна акумулаторна батерия, без да трябва да е свързан към електрическата мрежа. Акумулаторната батерия се доставя частично заредена и затова препоръчваме да изпълните пълен цикъл на презареждане, преди да я използвате. Използвайте само оригинални акумулаторни батерии за захранване на отоплителния уред. Спазвайте всички предупреждения относно акумулаторната батерия, посочени в настоящото ръководство.

►3.3. ЗАРЯДНО УСТРОЙСТВО ЗА АКУМУЛАТОРНИ БАТЕРИИ (ако е налично):

(Сх. 7) Зарядното устройство за акумулатори е проектирано за презареждане на оригинални литиево-йонни акумулаторни батерии. Необходимо е да осигурите работните параметри на зарядното устройство за акумулаторни батерии (вж табелката с данни, поставена върху него). Използвайте зарядното устройство на напълно сухи места, защитени от прах, за да зареждате само оригиналните акумулаторни батерии, които може да се използват само за захранване на този отоплителен уред. Зарядното устройство е проектирано за автоматично управление на правилния цикъл на презареждане, когато акумулаторната батерия бъде свързана (Сх. 8). Един светлинен индикатор, разположен върху зарядното устройство, позволява извършване на подробна диагностика по време на етапа на търсене (Сх. 9). Спазвайте всички предупреждения относно зарядното устройство за акумулатори, посочени в настоящото ръководство.

►►4. ГОРИВО

ПРЕДУПРЕЖДЕНИЕ: Отоплителният уред работи само с ДИЗЕЛ или КЕРОСИН.

Използвайте само дизел или керосин, за да избегнете рисковете от пожар или експлозия. Никога не използвайте бензин, нафта, разтворители за бои, алкохол или други силно запалими горива. Използвайте нетоксични антифризни добавки в случай на много ниски температури.

►►5. ПРИНЦИП НА ДЕЙСТВИЕ

Вж Сх. 2

Въздухът, необходим за осигуряване на правилно горене, се генерира посредством въртенето на един вентилатор в горелката. Въздушният поток излиза от тръбичката на горелката и се смесва с горивото, което се пулверизира от една дюза под високо налягане. Пулверизираното от дюзата гориво се осигурява от електропомпа, която всмуква горивото от резервоара и го изтласква под високо налягане към дюзата.

►►6. ЕКСПЛОАТАЦИЯ

ПРЕДУПРЕЖДЕНИЕ: Прочетете внимателно „ИНФОРМАЦИЯТА ЗА БЕЗОПАСНОСТ“, преди да включите отоплителния уред.

ВАЖНО: След първото незапалване на отоплителния уред проверете за наличие на гориво в резервоара, проверете дали горивният филтър е чист и дали уредът е поставен на равна и стабилна повърхност.

ВАЖНО: Настоящият уред представлява отоплителен уред с инфрачервени лъчи. Загрява предмети, а не въздуха.

ВАЖНО: За да смените вида електрозахранване от акумулаторна батерия на кабел и обратно, изключете отоплителния уред, като спазвате стриктно цялата процедура, за да избегнете нанасянето на сериозни щети.

►6.1. ЗАПАЛВАНЕ НА ОТОПЛИТЕЛНИЯ УРЕД:

- 6.1.1. Спазвайте всички инструкции, отнасящи се до безопасността.
- 6.1.2. Проверете за наличие на гориво в резервоара.
- 6.1.3. Затворете капачката на резервоара.
- 6.1.4. Свържете захранващия щепсел към електрическата мрежа или заредената акумулаторна батерия (ВИЖТЕ НАПРЕЖЕНИЕТО В „ТАБЛИЦА С ТЕХНИЧЕСКИТЕ ДАННИ“) (Сх. 10-11).
- 6.1.5. Поставете превключвателя „ON/OFF“ на позиция „ON“ (I) (А Сх. 3). Отоплителният уред би трябвало да се запали до няколко секунди. Ако отоплителният уред не се стартира, направете справка в раздела за откриване на проблема (Раздел 10).

ЗАБЕЛЕЖКА: В СЛУЧАЙ НА ИЗГАСВАНЕ НА ОТОПЛИТЕЛНИЯ УРЕД ВСЛЕДСТВИЕ НА ИЗЧЕРПВАНЕ НА ГОРИВОТО, ИЗКЛУЧЕТЕ УРЕДА, ДОПЪЛНЕТЕ РЕЗЕРВОАРА И ГО ЗАПАЛЕТЕ ОТНОВО (ВЖ РАЗДЕЛ 5.1.).

►6.2. ИЗГАСЯНЕ НА ОТОПЛИТЕЛНИЯ УРЕД:

ВНИМАНИЕ: НЕ ОТНЕМАЙТЕ НАПРЕЖЕНИЕТО, НЕ РАЗКАЧВАЙТЕ ЗАХРАНВАЩИЯ КАБЕЛ И НЕ ОТСТРАНЯВАЙТЕ АКУМУЛАТОРНАТА БАТЕРИЯ, ДОКАТО ОТОПЛИТЕЛНИЯТ УРЕД НЕ ИЗСТИНЕ НАПЪЛНО (около 5 мин).

- 6.2.1. Поставете превключвателя „ON/OFF“ на позиция „OFF“ (0) (А Сх. 3).

►6.3. СВЪРЗВАНЕ НА СТАЕН ТЕРМОСТАТ (опция):

ВНИМАНИЕ: СТАЙНИЯТ ТЕРМОСТАТ (ОПЦИОНАЛЕН) РАБОТИ САМО КОГАТО ОТОПЛИТЕЛНИЯТ УРЕД СЕ ЗАХРАНВА ОТ ЗАХРАНВАЩИЯ КАБЕЛ.

ВНИМАНИЕ: КОГАТО ОТОПЛИТЕЛНИЯТ УРЕД СЕ УПРАВЛЯВА ОТ СТАЙНИЯ ТЕРМОСТАТ (ОПЦИЯ), УРЕДЪТ ИЗГАСВА И СЕ ЗАПАЛВА ОТНОВО АВТОМАТИЧНО.

Отстранете капачката, свързана към отоплителния уред, и свържете стайния термостат (опция) (С Сх. 3).

►► 7. ПОЧИСТВАНЕ НА ГОРИВНИЯ ФИЛТЪР

Вж Сх. 4

В ЗАВИСИМОСТ ОТ КАЧЕСТВОТО НА ИЗПОЛЗВАНОТО ГОРИВО, МОЖЕ ДА СЕ НАЛОЖИ ПОЧИСТВАНЕ НА ФИЛТЪРА.

- 7.1. Отстранете капачката, намираща се върху резервоара (А Сх. 4).
- 7.2. Извадете филтъра от резервоара.
- 7.3. Развийте гайката (В Сх. 4).
- 7.4. Извадете филтъра (С Сх. 4).
- 7.5. Почистете филтъра с чисто гориво, като внимавате да не го повредите.
- 7.6. Монтирайте филтъра обратно в резервоара.

- 8.1. Източете горивото от резервоара.
- 8.2. Ако забелязвате остатъци, сипете чисто гориво в резервоара и отново източете.
- 8.3. Затворете капачката на резервоара и изхвърлете горивото по подходящ начин и съгласно действащата нормативна уредба.
- 8.4. За да съхранявате отоплителния уред възможно най-добре, препоръчваме да го държите на нивелирано място, за да избегнете изтичането на гориво, както и да го съхранявате на сухо място, защитено от възможни външни наранявания.

►► 8. СЪХРАНЕНИЕ И ТРАНСПОРТИРАНЕ

ЗА ДА СЪХРАНЯВАТЕ ИЛИ ТРАНСПОРТИРАТЕ ОТОПЛИТЕЛНИЯ УРЕД ВЪЗМОЖНО НАЙ-ДОБРЕ, ПРЕПОРЪЧВАМЕ ДА СПАЗВАТЕ СЛЕДНАТА ПРОЦЕДУРА:

►► 9. ГРЕШКИ НА ДИСПЛЕЯ

Вж В Сх. 3

ГРЕШКА	ПРИЧИНА	РЕШЕНИЕ
ОПЕРАЦИОННА ГРЕШКА		
F0	1. Превключвателя "ON/OFF" е на позиция "ON" (I) в момента в който генератора е включван към захранващата мрежа	1. След изключване на генератора от захранването настройте на "OFF" (0), свържете щепсела към електрическата мрежа и поставете бутона в позиция "ON" (I)
ГРЕШКА ВЪВ ФОТОКЛЕТКАТА		
F1	1. Липса на гориво 2. Замърсено гориво 3. Фотоклетката е замърсена или повредена 4. Филтъра на горивото е замърсен 5. Грешка на стартера	1. Превключвателя поставете на позиция "OFF" (0), напълнете резервоара с гориво 2. Превключвателя поставете на позиция "OFF" (0) изпразнете и отново напълнете резервоара с гориво. Изчистете филтъра с чисто гориво, внимавайте да не го повредите (ВИЖТЕ ТОЧКА 6) 3. Обърнете се към центъра за техническа помощ 4. ВИЖТЕ ТОЧКА 6 5. Обърнете се към центъра за техническа помощ
ГРЕШКА В ДАТЧИКА ЗА КОНТРОЛ НА ТЕМПЕРАТУРАТА		
F2	1. Прекъснат кабел 2. Повреден датчик	1. Обърнете се към центъра за техническа помощ 2. Обърнете се към центъра за техническа помощ
ГРЕШКА В ТЕРМОСТАТА		
F3	1. Вътрешно прегряване на генератора 2. Сензор против преобръщане	1. Изключете генератора и изчакайте до пълно изстиване на уреда 2. Поставете печката на равна и устойчива повърхност
НЕПОДХОДЯЩО НАПРЕЖЕНИЕ		
F4	1. неподходящо напрежение	1. Проверете дали напрежението на инсталацията Ви е правилно
НЕЗАПАЛВАНЕ В ПРОДЪЛЖЕНИЕ НА ТРИ ОПИТА		
FF	1. Липса на гориво 2. Замърсен горивен филтър 3. Замърсена или дефектна фотоклетка 4. Замърсена или дефектна дюза 5. Сработване на датчик против нивелиране	1. Обърнете се към центъра за техническа помощ 2. Обърнете се към центъра за техническа помощ 3. Обърнете се към центъра за техническа помощ 4. Обърнете се към центъра за техническа помощ 5. Обърнете се към центъра за техническа помощ
ИЗТОЩЕНА АКУМУЛАТОРНА БАТЕРИЯ		
PF	1. Изтощена акумулаторна батерия	1. Презаредете акумулаторната батерия
ОТОПЛИТЕЛЕН УРЕД В СТЕНДБАЙ		
[]	1. Свързан термостат 2. Преминаване от захранване с кабел към захранване с акумулаторна батерия	1. Температурата на термостата е настроена по-ниско от стайната температура 2. Автоматично повторно запалване

►► 10. ГРАФИК НА ПОДДРЪЖКАТА

ВНИМАНИЕ: ПРЕДИ ДА ЗАПОЧНЕТЕ КАКВИТО И ДА СА ДЕЙСТВИЯ ПО ПОДДРЪЖКАТА ИЛИ РЕМОНТА, ИЗКЛЮЧЕТЕ ЗАХРАНВАЩИЯ КАБЕЛ ОТ ЕЛЕКТРИЧЕСКАТА МРЕЖА И БЪДЕТЕ СИГУРНИ ЧЕ ГЕНЕРАТОРА Е ИЗСТИНАЛ.

АКО ИЗПОЛЗВАТЕ ОТОПЛИТЕЛНИЯ УРЕД В СИЛНО ЗАПРАШЕНИ ПОМЕЩЕНИЯ, ТРЯБВА ДА ПРАВИТЕ ПОЧИСТВАНЕ И ОПЕРАЦИИ ПО ПОДДРЪЖКА ПО-ЧЕСТО.

ЕЛЕМЕНТ	ЧЕСТОТА НА ПОДДРЪЖКА	ПРОЦЕДУРА НА ПОДДРЪЖКАТА
Резервоар за гориво	Чистете през 150-200 часа работа или в зависимост от нуждите	Изпразнете и изплакнете резервоара с чисто гориво
Дюза	Изчистете или сменете веднъж по време на един сезон на работа или в зависимост от нуждите	Обърнете се към центъра за техническа помощ
Фотоклетка	Изчистете веднъж по време на един сезон на работа или в зависимост от нуждите	Обърнете се към центъра за техническа помощ
Филтър гориво	Изчистете или сменете два пъти по време на един сезон на работа или в зависимост от нуждите	Изчистете филтъра за гориво използвайки чисто гориво
Уред за стартиране	Изчистете или сменете на всеки 1.000 часа работа или в зависимост от нуждите	Обърнете се към центъра за техническа помощ
Крила на вентилатора	Чистете в зависимост от нуждите	Обърнете се към центъра за техническа помощ

►► 11. ИДЕНТИФИЦИРАНЕ НА ПРОБЛЕМА

ПРОБЛЕМ	ВЪЗМОЖНА ПРИЧИНА	ВЪЗМОЖНИ РЕШЕНИЯ
Генератора не се включва	<ol style="list-style-type: none"> 1. Блокиран генератор 2. Превключвателя се намира на позиция "OFF" (0) 3. Липса на захранване 4. Изключен захранващ кабел 5. Блокирана карта за управление 6. Грешни настройки на стайния термостат 7. Интервенция на датчика за температурата 8. Повреден предпазител 	<ol style="list-style-type: none"> 1. Изключете и отново включете генератора 2. Превключвателя поставете на позиция "ON" (I) 3A. Включете правилно захранващия кабел към електрическия контакт 3B. Проверете захранващата мрежа 3C. Обърнете се към центъра за техническа помощ 3D. Изтощена акумулаторна батерия 4. Обърнете се към центъра за техническа помощ 5A. Изключете и отново включете генератора 5B. Идентифицирайте грешката на дисплея 5C. Обърнете се към центъра за техническа помощ 6. Регулирайте стайния термостат, настройте го на температура по-висока от температурата на околната среда 7A. Изчакайте най-малко десет минути, след което отново опитайте да преминете към запалване 7B. Обърнете се към центъра за техническа помощ 8. Обърнете се към центъра за техническа помощ
Мотора/помпата се включват но няма пламък	<ol style="list-style-type: none"> 1. Липса на гориво 2. Стартера е замърсен 3. Замърсен филтър за гориво 4. Замърсена дюза 5. Замърсена фотоклетка, повредена или лошо монтирана фотоклетка 6. Наличие на чужди примеси в резервоара за гориво 7. Изхабени електроди или поставени в неправилно разстояние 	<ol style="list-style-type: none"> 1. Изключете генератора, напълнете резервоара с гориво и отново включете генератора 2. Обърнете се към центъра за техническа помощ 3. Изчистете филтъра за гориво използвайки чисто гориво 4. Обърнете се към центъра за техническа помощ 5. Обърнете се към центъра за техническа помощ 6. Изпразнете и отново напълнете резервоара с чисто гориво 7. Обърнете се към центъра за техническа помощ
Вентилатора е блокиран или се върти прекалено бавно	<ol style="list-style-type: none"> 1. Повреден мотор 	<ol style="list-style-type: none"> 1. Обърнете се към центъра за техническа помощ

ВАЖЛИВО: ДАНУ ІНСТРУКЦІЮ НЕОБХІДНО ПРОЧИТАТИ ПЕРЕД ПОЧАТКОМ МОНТАЖУ, ЗАПУСКУ ТА КОНСЕРВАЦІЇ ГЕНЕРАТОРА. НЕПРАВИЛЬНА ЕКСПЛУАТАЦІЯ ГЕНЕРАТОРА МОЖЕ ПРИЗВЕСТИ ДО СЕРЬОЗНИХ ТРАВМ. ДАНУ ІНСТРУКЦІЮ ПОТРІБНО ЗБЕРІГАТИ, ЩОБ У РАЗІ НЕОБХІДНОСТІ МОЖНА БУЛО ДО НЕЇ ЗВЕРНУТИСЯ.

►► 1. ІНФОРМАЦІЯ ПРО БЕЗПЕКУ (ЗАСТЕРЕЖЕННЯ)



ВАЖЛИВА ІНФОРМАЦІЯ: Цей повітрянагрівач був розроблений для мобільного і тимчасового професійного застосування. Він не призначений ані для домашнього використання, ані для теплового комфорту людини.



ВАЖЛИВА ІНФОРМАЦІЯ: Цей пристрій не пристосований для використання особами (включаючи дітей) з обмеженими фізичними і розумовими можливостями або невідповідними особами, за виключенням випадків, коли вони перебувають під наглядом особи, відповідальної за їхню безпеку. Діти повинні перебувати під наглядом, аби перешкодити їм гратися з пристроєм.



НЕБЕЗПЕКА: Отруєння оксидом вуглецю (чадним газом) може мати фатальні наслідки.

Перші ознаки отруєння чадним газом нагадують ознаки захворювання на грип: головний біль, запаморочення та/або нудота. Ці симптоми можуть бути спричинені несправною роботою нагрівача. **В РАЗІ ВИНИКНЕННЯ ТАКИХ СИМПТОМІВ, НЕГАЙНО ВИЙДІТЬ НА СВІЖЕ ПОВІТРЯ** і зверніться до центру технічного обслуговування на предмет ремонту нагрівача.

1.1. ЗАПРАВЛЕННЯ:

- 1.1.1. Відповідальний за заправлення персонал повинен мати належну кваліфікацію і бути повністю обізнаним з інструкціями виробника та з чинними правилами стосовно безпечного заправлення нагрівачів.
- 1.1.2. Використовуйте тільки той тип пального, який чітко вказано на таблиці з технічними даними, що міститься на нагрівачі.
- 1.1.3. Перш ніж заправляти нагрівач, вимкніть його і дочекайтесь, доки він не охолоне.
- 1.1.4. Цистерни для зберігання пального повинні знаходитися в окремій будівлі.
- 1.1.5. Всі ємкості з паливом повинні знаходитися на мінімальній безпечній відстані від нагрівача, відповідно до чинних правил.
- 1.1.6. Пальне зберігається в місцях, підлога яких є герметичною і не дозволяє витік пального і потрапляння на полум'я, яке може знаходитися нижче.
- 1.1.7. Умови зберігання пального мають відповідати чинним правилам.

1.2. БЕЗПЕКА:

- 1.2.1. Ніколи не використовуйте нагрівач у приміщеннях, де знаходиться бензин, лакові розчинники або інші легкозаймисті випари.
- 1.2.2. Під час експлуатації нагрівача дотримуйтесь всіх місцевих розпоряджень і чинних правил.
- 1.2.3. Нагрівачі, які використовуються поблизу завіс, тентів або подібних їм покрівельних матеріалів, повинні знаходитися на безпечній відстані від них. Рекомендується також використовувати вогнетривкі покрівельні матеріали.
- 1.2.4. Використовуйте нагрівач лише в добре провітрюваних приміщеннях. Попікуйтесь, відповідно до чинних правил, про обладнання належних вентиляційних отворів для надходження ззовні свіжого повітря.
- 1.2.5. Для роботи нагрівача використовувати лише струм з напругою і частотою, які вказані на таблиці з технічними даними, яка міститься на нагрівачі.
- 1.2.6. Використовуйте лише подовжувачі з трьома дротами, належно заземлені.

- 1.2.7. Мінімальні безпечні відстані, рекомендовані між нагрівачем та легкозаймистими речовинами: передній вихід = 2,5 м (8 футів); збоку, зверху та ззаду = 1,5 м (5 футів).
- 1.2.8. Щоб запобігти ризику виникнення пожежі, гарячий або працюючий нагрівач слід ставити на стійку і горизонтальну рівну поверхню.
- 1.2.9. Тримайте тварин на безпечній відстані від пристрою.
- 1.2.10. Від'єднуйте живлення або акумулятор від нагрівача, коли він не використовується.
- 1.2.11. Коли робота пристрою контролюється термостатом, палик нагрівача може запалюватися в будь-який момент.
- 1.2.12. Ніколи не використовуйте нагрівач у часто відвідуваних кімнатах, а також в спальнях.
- 1.2.13. Забороняється переміщати, заправляти, проводити з ним будь-які дії, в тому числі ремонтні операції, якщо нагрівач гарячий, підключений до електромережі, до акумулятора або працює.
- 1.2.14. Дотримуйтесь належної відстані між займистими матеріалами або матеріалами, які руйнуються під дією тепла (включаючи шнур живлення), гарячими частинами нагрівача.
- 1.2.15. Якщо шнур живлення або акумулятор пошкоджено, вони повинні бути замінені у центрі технічного обслуговування, щоб запобігти будь-якому ризику (пошкодженню обладнання утилізувати відповідно до чинних правил).
- 1.2.16. Щоб запобігти будь-якому ризику, перед під'єднанням шнура живлення та/або встановленням перезаряджувальної батареї перевірити, щоб нагрівач був вимкнений.
- 1.2.17. Використовувати виключно перезаряджувальні батареї того типу та марки, що передбачені виробником нагрівача. Використання перезаряджувальних батарей непередбаченого типу та марки може спричинити поранення або загрозу для життя людей, травми, опіки, вибухи, враження електричним струмом або отруєння.
- 1.2.18. Дотримуватися передбаченої безпечної відстані між від'єднаною перезаряджувальною батареєю та скобами, монетами, ключами, цвяхами, болтами та іншими невеликими металічними об'єктами, які можуть призвести до короткого замикання. Випадкове коротке замикання між контактами перезаряджувальної батареї може спричинити поранення або загрозу для життя людей, травми, опіки, вибухи і т.п.
- 1.2.19. Невірне використання перезаряджувальної батареї може спричинити витікання рідини з батареї. Уникати контакту з рідиною. У разі випадкового контакту добре промити водою. Негайно звернутися за лікарською допомогою, якщо рідина потрапила у очі. Рідина, що витікає з батареї, може спричинити подразнення шкіри та опіки.
- 1.2.20. Невірне використання перезаряджувальної батареї може спричинити виділення парів з батареї. Категорично забороняється вдихати ці пари. Провітрити приміщення, а в разі випадкового вдихання парів при наявності негативних симптомів звернутися за лікарською допомогою. Пари можуть спричинити подразнення дихальних шляхів.
- 1.2.21. Щоб попередити можливі ризики, забороняється намагатися відкрити/розібрати перезаряджувальну батарею.
- 1.2.22. Щоб попередити можливі ризики, тримати батарею у захищеному від тепла місці (наприклад, постійного прямого сонячного проміння, вогню, води, вологи, тощо).
- 1.2.23. Щоб уникнути можливих небезпечних перевантажень, використовувати перезаряджувальну батарею виключно з цим нагрівачем.
- 1.2.24. Використовувати виключно перезаряджувальні батареї того типу та марки, що передбачені виробником нагрівача, для напруги, зазначеної на таблиці з технічними даними нагрівача. У випадку використання інших перезаряджувальних батарей (наприклад, підроблених, відновлених, від виробників-конкурентів, тощо) існує ризик травм та/або вибуху.

- ▶ 1.2.25. Заряджати перезаряджувальну батарею тільки за допомогою оригінального зарядного пристрою. Щоб уникнути ризику пожежі та вибуху, для кожної батареї слід використовувати лише для неї передбачений зарядний пристрій.
- ▶ 1.2.26. Використовувати лише ті способи електричного живлення, які передбачені у цьому посібнику. Забороняється змінювати спосіб живлення нагрівача під час його роботи, інакше це може спричинити серйозні пошкодження.
- ▶ 1.2.27. Коли нагрівач керується термостатом або перемикається з джерела живлення на акумулятор, він може вимикатися та переходити в режим очікування (на дисплеї відобразиться знак «[]»), зверніть особливу увагу на те, що нагрівач може знову запалитися автоматично в будь-який час і завдати серйозної шкоди речам і людям.

▶▶ 2. РОЗПАКОВУВАННЯ

Див. мал. 1

- ▶ 2.1. Видаліть весь пакувальний матеріал, використаний для пакування і пересилки нагрівача, та утилізуйте його відповідно до чинних правил.
- ▶ 2.2. Звільніть від упаковки всі комплектуючі.
- ▶ 2.3. Переконайтеся у відсутності пошкоджень, спричинених транспортуванням. Якщо нагрівач видається пошкодженим, негайно зв'яжіться з продавцем, в якого він був придбаний.

▶▶ 3. ОПИСАННЯ АРТИКУЛІВ

▶ 3.1. ШНУР ЖИВЛЕННЯ (де присутній):

ШНУР ЖИВЛЕННЯ НЕ ВИКОНУЄ ФУНКЦІЮ ЗАРЯДНОГО ПРИСТРОЮ.

(Мал. 5) Нагрівач може працювати від електричної мережі за допомогою шнура живлення. Слід регулярно перевіряти стан шнура живлення нагрівача, його пошкодження може спричинити серйозні збитки. Дотримуйтеся рекомендацій та застережень щодо шнура живлення, наведених у цьому посібнику.

▶ 3.2. АКУМУЛЯТОР (де присутній):

(Мал. 6)

ПРИМІТКА: ЗГІДНО З ЄМНІСТЮ АКУМУЛЯТОРА (ВИМІРЮВАНІ В Ah), СЛІД ВИКОРИСТОВУВАТИ ОРИГІНАЛЬНИЙ ЗАРЯДНИЙ ПРИСТРІЙ ТА ВІДПОВІДНУ ПОТУЖНІСТЬ.

Нагрівач може працювати в автономному режимі за допомогою оригінальної перезаряджувальної літій-іонної батареї, без необхідності підключення до електричної мережі. Батарея поставляється в частково зарядженому стані, тому рекомендується повністю зарядити її перед використанням. Для живлення нагрівача використовувати виключно оригінальні батареї. Дотримуватися рекомендацій та застережень щодо батареї, наведених у цьому посібнику.

▶ 3.3. ЗАРЯДНИЙ ПРИСТРІЙ (де мається):

(Мал. 7) Зарядний пристрій виготовлений для заряджання оригінальних літій-іонних батарей. Слід дотримуватися параметрів роботи зарядного пристрою (див. заводську табличку на зарядному пристрої). Зарядний пристрій слід використовувати в сухих приміщеннях, захищених від пилу та бруду, виключно для зарядки оригінальних перезаряджувальних батарей для живлення цього нагрівача. Зарядний пристрій розроблений для правильного автоматичного циклу зарядки, який розпочинається після підключення перезаряджувальної батареї (Мал. 8). Світловий індикатор, розташований на зарядному пристрої, дозволяє виконати детальну діагностику під час процедури пошуку (Мал. 9). Дотримуватися рекомендацій та застережень щодо зарядного пристрою, наведених у цьому посібнику.

▶▶ 4. ПАЛЬНЕ

ПОПЕРЕДЖЕННЯ: Нагрівач працює тільки на ДИЗЕЛЬНОМУ ПАЛЬНОМУ або на ГАСІ.

Використовуйте тільки дизельне пальне або гас, аби запобігти ризикам пожежі або вибуху. Ніколи не використовуйте бензин, нафту, лакові розчинники, алкоголь або інші легкозаймисті горючі речовини.

За дуже низьких температур використовуйте нетоксичні протиморозні добавки (антифризи).

▶▶ 5. ПРИНЦИП РОБОТИ

Див. мал. 2

Повітря, необхідне для забезпечення належного згоряння, генерується шляхом обертання внутрішнього вентилятора всередині пальника. Повітряний потік виходить з вихлопної труби пальника і змішується з паливом, яке розпорошується з форсунок під високим тиском. Пальне, що розпилюється з форсунок, подається електричним насосом, який всмоктує пальне з бака і виштовхує його під високим тиском з форсунок.

▶▶ 6. РОБОТА

ПОПЕРЕДЖЕННЯ: Уважно прочитайте розділ "ІНФОРМАЦІЯ ЩОДО ДОТРИМАННЯ ВИМОГ БЕЗПЕКИ", перш ніж увімкнути нагрівач.

ВАЖЛИВА ІНФОРМАЦІЯ: Після того як нагрівач перший раз не запустився, необхідно перевірити наявність пального у баку, також перевірити, щоб паливний фільтр був незасміченим, та переконавшись, що нагрівач встановлений на рівній та стійкій поверхні.

ВАЖЛИВА ІНФОРМАЦІЯ: Цей пристрій є інфрачервоним нагрівачем. Нагрівач предмети, а не повітря.

ВАЖЛИВА ІНФОРМАЦІЯ: Щоб змінити тип живлення від акумулятора на кабель та навпаки, вимкніть нагрівач, дотримуючись усіх процедур, щоб уникнути серйозних пошкоджень.

▶ 6.1. ВМИКАННЯ НАГРІВАЧА:

- ▶ 6.1.1. Дотримуйтеся всіх інструкцій щодо заходів безпеки.
- ▶ 6.1.2. Перевірте наявність пального в баку.
- ▶ 6.1.3. Закрийте кришку баку.
- ▶ 6.1.4. Вставте виделку шнура живлення в електричну розетку або заряджену батарею (ДИВ. НАПРУГУ НА "ТАБЛИЧЦІ З ТЕХНІЧНИМИ ДАНИМИ") (Мал. 10-11).
- ▶ 6.1.5. Увімкніть перемикач "ON/OFF" в положення "ON" (I) (А Мал. 3). Запалювання нагрівача має відбутися протягом декількох секунд. Якщо нагрівач не вмикається, зверніться до розділу пошуку проблем (Розділ 10).

Прим.: У РАЗІ ВИМКНЕННЯ НАГРІВАЧА ЧЕРЕЗ ЗАКІНЧЕННЯ ПАЛЬНОГО, ВИМКНІТЬ НАГРІВАЧ, ЗАЛИЙТЕ В БАК ПАЛЬНЕ І ПЕРЕЗАВАНТАЖТЕ НАГРІВАЧ (ДИВ. РОЗДІЛ 5.1.).

▶ 6.2. ВИМКНЕННЯ НАГРІВАЧА:

УВАГА: НЕ ВИМИКАЙТЕ НАПРУГУ АБО НЕ ВІД'ЄДНУЙТЕ ШНУР ЖИВЛЕННЯ АБО НЕ ВІЙМАЙТЕ БАТАРЕЮ ДО ПОВНОГО ОХОЛОДЖЕННЯ НАГРІВАЧА (близько 5 хв.).

- ▶ 6.2.1. Встановіть перемикач "ON/OFF" у положення "OFF" (0) (А Мал. 3).

► 6.3. ПІДКЛЮЧЕННЯ КІМНАТНОГО ТЕРМОСТАТУ (факультативно):

УВАГА: КІМНАТНИЙ ТЕРМОСТАТ (ФАКУЛЬТАТИВНО) ПРАЦЮЄ ТІЛЬКИ КОЛИ НАГРІВАЧ ПІД'ЄДНАНИЙ ДО ШНУРА ЖИВЛЕННЯ.

УВАГА: КОЛИ НАГРІВАЧ КЕРУЄТЬСЯ З КІМНАТНОГО ТЕРМОСТАТУ (ФАКУЛЬТАТИВНО), ВИМКНЕННЯ ТА ПОНОВНЕ ВМИКАННЯ НАГРІВАЧА ВІДБУВАЄТЬСЯ АВТОМАТИЧНО.

Зніміть заглушку на нагрівачі і підключіть кімнатний термостат (факультативно) (С Мал. 3).

►► 7. ПАЛИВНИЙ ФІЛЬТР ЗАСМІЧЕНИЙ

Див. Мал. 4

ЗАЛЕЖНО ВІД ЯКОСТІ ВИКОРИСТОВУВАНОВОГО ПАЛЬНОГО МОЖЕ БУТИ НЕОБХІДНЕ ОЧИЩЕННЯ ФІЛЬТРУ:

- 7.1. Зніміть кришку баку (А Мал. 4).
- 7.2. Вийміть фільтр з бака.

- 7.3. Відкрутіть гайку (В Мал. 4).
- 7.4. Витягніть фільтр (С Мал. 4).
- 7.5. Очистити фільтр чистим пальним, обережно, щоб не пошкодити його.
- 7.6. Встановити фільтр у бак.

►► 8. ЗБЕРІГАННЯ І ТРАНСПОРТУВАННЯ

З МЕТОЮ МАКСИМАЛЬНО ЕФЕКТИВНОГО ЗБЕРІГАННЯ І/ АБО ТРАНСПОРТУВАННЯ НАГРІВАЧА РЕКОМЕНДУЄТЬСЯ ДОТРИМУВАТИСЯ ТАКОГО ПОРЯДКУ ДІЙ:

- 8.1. Злийте пальне з баку.
- 8.2. Якщо помічено наявність осаду, залити у бак чисте пальне і ще раз злити його.
- 8.3. Закрийте кришку баку і утилізуйте пальне відповідно до чинних правил.
- 8.4. З метою максимально ефективного зберігання генератора рекомендується зберігати його в горизонтальному положенні задля запобігання витіканню пального, в сухому місці і поза дією чинників, які можуть завдати зовнішні пошкодження.

►► 9. ПОМИЛКИ НА ІНДИКАТОРІ

Див. В Мал. 3

ПОМИЛКА	ПРИЧИНА	ВИРІШЕННЯ
ОПЕРАЦІЙНА ПОМИЛКА		
F0	1. Вимикач "ON/OFF" знаходиться в позиції "ON" (I) коли генератор підключається до електромережі	1. Після відключення генератора від електромережі встановити вимикач в позицію "OFF" (0), знову вставити штепсельну вилку в електромережу та встановити вимикач у позицію "ON" (I)
ПОМИЛКА ФОТОЕЛЕМЕНТА		
F1	1. Відсутність пального 2. Забруднене пальне 3. Фотоелемент забруднений або пошкоджений 4. Паливний фільтр пального забруднений 5. Помилка запалювання	1. Встановити вимикач в позицію "OFF" (0), залити в бак пальне 2. Встановити вимикач в позицію "OFF" (0) випорожнити, а тоді повторно наповнити бак пальним. Почистити фільтр чистим пальним, намагаючись не пошкодити його (ДИВ. РОЗДІЛ. 6) 3. Звернутися в центр технічного обслуговування 4. ДИВ. РОЗДІЛ. 6 5. Звернутися в центр технічного обслуговування
ПОМИЛКА ДАТЧИКА КОНТРОЛЮ ТЕМПЕРАТУРИ		
F2	1. Шнур живлення пошкоджений 2. Пошкоджений датчик	1. Звернутися в центр технічного обслуговування 2. Звернутися в центр технічного обслуговування
ПОМИЛКА ТЕРМОСТАТА		
F3	1. Внутрішній перегрів генератора 2. Датчик перекидання	1. Вимкнути генератор, зачекати, поки він повністю охолоне 2. Поставте пічку на рівну і стійку поверхню
НЕВІДПОВІДНА НАПРУГА		
F4	1. Невідповідна напруга	1. Перевірте правильність напруги вашої установки
НЕ ЗАПУСКАЄТЬСЯ ПІСЛЯ ТРЬОХ СПРОБ		
FF	1. Відсутність палива 2. Паливний фільтр засмічений 3. Фотоелемент засмічений або дефектний 4. Сопло засмічене або дефектне 5. Спрацював датчик від перекидання	1. Звернутися в центр технічного обслуговування 2. Звернутися в центр технічного обслуговування 3. Звернутися в центр технічного обслуговування 4. Звернутися в центр технічного обслуговування 5. Звернутися в центр технічного обслуговування
БАТАРЕЯ РОЗРЯДЖЕНА		
PF	1. Батарея розряджена	1. Зарядіть батарею
НАГРІВАЧ У РЕЖИМІ ОЧІКУВАННЯ		
[]	1. Термостат підключений 2. Перемикач живлення від шнура на акумулятор	1. Температура термостату встановлюється на кімнатну температуру 2. Автоматичне перезавантаження

►► 10. ГРАФІК ЗАПОБІЖНИХ КОНСЕРВАЦІЙНИХ ЗАХОДІВ

ПРИМІТКА: ПЕРЕД ПОЧАТКОМ БУДЬ-ЯКИХ КОНСЕРВАЦІЙНИХ ЧИ РЕМОНТНИХ ЗАХОДІВ, ПОТРІБНО ВІДКЛЮЧИТИ КАБЕЛЬ ЖИВЛЕННЯ ВІД ЕЛЕКТРОМЕРЕЖІ ТА ВПЕВНИТИСЯ, ЩО ГЕНЕРАТОР ХОЛОДНИЙ.

ЯКЩО НАГРІВАЧ ВИКОРИСТОВУЄТЬСЯ В ОСОБЛИВО ЗАПИЛЕНИХ СЕРЕДОВИЩАХ, НЕОБХІДНІ ЧАСТИШІ ОБСЛУГОВУВАННЯ ТА ОЧИЩЕННЯ.


ЕЛЕМЕНТ	ПЕРІОДИЧНІСТЬ КОНСЕРВАЦІЇ	ПРОЦЕДУРА КОНСЕРВАЦІЇ
Паливний бак	Очищати через кожних 150-200 годин роботи, або в залежності від потреб	Випорожнити та промити бак, використовуючи для цього чисте паливо
Форсунка	Почистити або замінити один раз протягом одного робочого сезону, або в залежності від потреби	Звернутися в центр технічного обслуговування
Фотоелемент	Очищати один раз протягом робочого сезону, або в залежності від потреби	Звернутися в центр технічного обслуговування
Паливний фільтр	Очищати або замінити два рази протягом одного робочого сезону, або в залежності від потреб	Почистити паливний фільтр з використанням чистого пального
Паливний фільтр	Очищати або замінити через кожну 1.000 годин роботи, або в залежності від потреб	Звернутися в центр технічного обслуговування
Лопати ротора	Очищати, в залежності від потреби	Звернутися в центр технічного обслуговування


►► 11. ІДЕНТИФІКАЦІЯ ПРОБЛЕМИ


ПРОБЛЕМА	МОЖЛИВА ПРИЧИНА	МОЖЛИВЕ ВИРІШЕННЯ
Генератор не запускається	<ol style="list-style-type: none"> Генератор заблокований Вимикач знаходиться в позиції "OFF" (0) Немає напруги Відключений кабель живлення Заблокована карта управління Помилкове налаштування кімнатного термостата Втручання датчика температури Пошкоджений запобіжник 	<ol style="list-style-type: none"> Вимкнути та знов увімкнути генератор Вимикач встановити в позиції "ON" (I) Правильно вставити кабель живлення в розетку електромережі Перевірити електромережу Звернутися в центр технічного обслуговування Батарея розряджена Звернутися в центр технічного обслуговування Вимкнути та знову увімкнути генератор Ідентифікувати помилку на індикаторі Звернутися в центр технічного обслуговування Налаштувати кімнатний термостат, встановивши температуру вищу, ніж температура робочого середовища Зачекати щонайменше десять хвилин, а тоді знову спробувати перейти до фази запалювання Звернутися в центр технічного обслуговування Звернутися в центр технічного обслуговування
Двигун/помпа запускається, але полум'я не піднімається	<ol style="list-style-type: none"> Відсутність пального Пристрій запалювання забруднений Забруднений паливний фільтр Забруднена форсунка Фотоелемент забруднений, або неправильно встановлений Наявність сторонніх речовин у баку Зношені, або встановлені на неналежній відстані електроди 	<ol style="list-style-type: none"> Вимкнути генератор, залити в бак пальне та знову увімкнути генератор Звернутися в центр технічного обслуговування Почистити фільтр з використанням чистого пального Звернутися в центр технічного обслуговування Звернутися в центр технічного обслуговування Випорожнити бак та знову залити пальне Звернутися в центр технічного обслуговування
Ротор заблокований, або обертається надто повільно	<ol style="list-style-type: none"> Пошкоджений двигун 	<ol style="list-style-type: none"> Звернутися в центр технічного обслуговування

VAŽNO: PROČITAJTE I SHVATITE SADRŽAJ OVOG RADNOG PRIRUČNIKA PRIJE NEGO ŠTO OBAVITE SASTAVLJANJE, PUŠTANJE U RAD ILI ODRŽAVANJE OVOG GENERATORA. POGREŠNO KORIŠTENJE GENERATORA MOŽE DOVESTI DO OZBILJNIH POVREDA. SAČUVAJTE OVAJ PRIRUČNIK DA BISTE GA MOGLI U BUDUĆNOSTI KONSULTIRATI.

►► 1. INFORMACIJE O SIGURNOSTI (UPOZORENJA)

 **VAŽNO:** Ovaj grijač vazduha je dizajniran za mobilne i privremene profesionalne aplikacije. Nije dizajniran za kućnu upotrebu niti za toplotnu udobnost ljudi.

 **VAŽNO:** Ovaj aparat nije namijenjen korištenju od strane osoba (uključujući i djecu) koje imaju smanjene fizičke, senzorne i mentalne sposobnosti osim u slučaju da ih nadgleda osoba odgovorna za njihovu sigurnost. Morate kontrolisati djecu da se ne bi igrala sa aparatom.

 **OPASNOST:** Gušeje ugljen-monoksidom može da bude fatalno.

Prvi simptomi gušenja ugljik-monoksidom liče na one gripa, sa glavoboljom, vrtoglavicom i/ili mučninom. Takve simptome može uzrokovati nepravilan rad grijača. U SLUČAJU POJAVE OVIH SIMPTOMA, ODMAH IZADITE NA OTVORENI PROSTOR i popravite grijač u servisnoj službi.

1.1. PUNJENJE GORIVA:

- 1.1.1. Osoblje za punjenje goriva mora biti osposobljeno i potpuno upoznato sa uputstvima proizvođača i važećim propisima koji se odnose na sigurno punjenje grijača.
- 1.1.2. Koristite samo vrstu goriva koja se jasno navodi na identifikacionoj pločici grijača.
- 1.1.3. Prije punjenja, isključite grijač i sačekajte da se ohladi.
- 1.1.4. Cisterne za skladištenje goriva se moraju nalaziti u odvojenom objektu.
- 1.1.5. Svi rezervoari za gorivo se moraju nalaziti na minimalnoj sigurnosnoj udaljenosti od grijača, u skladu sa važećim propisima.
- 1.1.6. Gorivo treba skladištiti u prostorijama u kojima pod ne dozvoljava prodiranje i kapanje na plamen ispod, što može dovesti do toga da se upali.
- 1.1.7. Skladištenje goriva se mora obavljati u skladu sa važećim propisima.

1.2. SIGURNOST:

- 1.2.1. Nikada nemojte koristiti grijač u područjima gdje su prisutni benzin, rastvarači ili druga visoko zapaljiva para.
- 1.2.2. Tokom korištenja grijača, pridržavajte se svih lokalnih propisa i važećih standarda.
- 1.2.3. Grijači korišteni u blizini cerada, tenda ili ostalih sličnih materijala za pokrivanje se moraju postaviti na sigurnosnu udaljenost od istih. Takođe je poželjno koristiti materijale za zaštitu od požara.
- 1.2.4. Koristite samo u dobro provjetrenim prostorima. Pripremite prikladan otvor u skladu sa važećim propisima na način da se ubacuje svježi vazduh izvana.
- 1.2.5. Napajajte grijač samo strujom koja ima napon i frekvenciju navedene na identifikacionoj pločici grijača.
- 1.2.6. Koristite samo produžetke sa tri žice prikladno spojene na uzemljenje.

- 1.2.7. Preporučene minimalne sigurnosne udaljenosti između grijalice i zapaljivih stvari su: prednji izlaz = 2,5 m (8 stopa); sa strane, gore i pozadi = 1,5 m (5 stopa).
- 1.2.8. Postavite topli grijač, ili dok radi na ravnu i stabilnu površinu da bi se izbjegla opasnost od požara.
- 1.2.9. Držite životinje na sigurnosnoj udaljenosti od grijača.
- 1.2.10. Iskopčajte napajanje ili izvadite bateriju iz grijača kada ga ne koristite.
- 1.2.11. Kada ga kontrolira neki termostat, grijač se može uključiti u bilo kom trenutku.
- 1.2.12. Nikada ne koristite grijač u prostorijama u kojima se često boravi kao ni u spavaćim sobama.
- 1.2.13. Kada je grijač topao, ukopčan na električnu mrežu, napajan baterijom ili kada radi, nikada se ne smije pomjerati, njime rukovati, puniti gorivom nije izlagati bilo kakvoj intervenciji održavanja.
- 1.2.14. Držite odgovarajuću udaljenost od zapaljivih materijala, ili onih termolabilnih (uključujući kabl za napajanje) od vrućih dijelova grijača.
- 1.2.15. Ako se kabl za napajanje ili baterija oštete, mora ih zamijeniti servisni centar kako bi se spriječio bilo kakav rizik (uklonite oštećeni materijal u skladu sa važećim propisima).
- 1.2.16. Uvjerite se da je grijač isključen prije nego što ukopčate kabl za napajanje i/ili umetnete punjivu bateriju, na način da se spriječi bilo koji rizik.
- 1.2.17. Koristite isključivo originalne punjive baterije koje su izričito predviđene. Upotreba nepredviđenih punjivih baterija može dovesti do oštećenja ili smrtno opasnost po osobe, ozljeda, opekotina, eksplozija, strujnog udara ili trovanja.
- 1.2.18. Održavajte adekvatnu udaljenost između isključene punjive baterije i spajalica, kovanica, ključeva, čavli, vijaka ili drugih malih metalnih predmeta koji bi mogli dovesti do kratkog spoja. A eventualni kratki spoj između kontakata punjive baterije može dovesti do oštećenja ili smrtno opasnost po osobe, ozljeda, opekotina, eksplozija, itd...
- 1.2.19. Pogrešno korištenje punjive baterije može dovesti do ispuštanja tekućine iz baterije. Apsolutno izbjegavajte kontakt. U slučaju da dođe do slučajnog kontakta, odmah isperite vodom. Potražite odmah medicinsku pomoć ako tekućina dođe u kontakt s očima. Tekućina izbačena iz punjive baterije može uzrokovati iritacije kože ili opekotine.
- 1.2.20. Pogrešno korištenje punjive baterije može dovesti do ispuštanja pare iz baterije. Apsolutno izbjegavajte udisanje ove pare. Pustite da uđe svjež zrak u slučaju slučajnog udisanja a posjetite doktora u slučaju problema. Pare mogu izazvati iritaciju respiratornog trakta.
- 1.2.21. U cilju sprečavanja ozbiljnog rizika ne pokušavajte otvoriti/rastaviti punjivu bateriju.
- 1.2.22. U cilju sprečavanja ozbiljnog rizika, zaštitite punjivu bateriju od topline (na primjer od besprekidnog izlaganja sunčevim zrakama, od vatre, vode, vlage itd.).
- 1.2.23. Koristite specifičnu punjivu bateriju isključivo s ovim grijačem na način da ne dođe do opasnog preopterećenja.
- 1.2.24. Koristite isključivo originalne punjive baterije pod naponom navedenim na pločici s tehničkim podacima

grijača. U slučaju korištenja drugih punjivih baterija (na primjer imitacijskih, regenerisanih, konkurencijskih, itd.) postoji opasnost od ozljeda i/ili eksplozije.

- ▶ 1.2.25. Napunite punjivu bateriju samo i isključivo s originalnim punjačem baterija. Svaka baterija mora imati specifični punjač baterija da bi se spriječio rizik od požara i eksplozije.
- ▶ 1.2.26. Koristite samo načine električnog napajanja koje predviđa ovaj priručnik. Zabranjuje se mijenjati način napajanja grijača tokom rada na način da se izbjegn timerška oštećenja.
- ▶ 1.2.27. Kada grijačem upravlja termostat ili se prebacuje sa električnog napajanja na napajanje baterijom, grijač se može isključiti i ući u stanje mirovanja (na displeju će se prikazati "[]"), obratite pažnju jer se grijač može automatski uključiti u bilo kojem trenutku i može prouzrokovati ozbiljnu štetu za stvari i ljude.

▶▶ 2. UKLANJANJE AMBALAŽE

Vidi Sl. 1

- ▶ 2.1. Uklonite sav ambalažni materijal korišten za pakovanje i slanje grijača te ga odložite u skladu sa važećim propisima.
- ▶ 2.2. Izvadite sve predmete iz pakovanja.
- ▶ 2.3. Provjerite da li je došlo do oštećenja tokom transporta. Ako primijetite oštećenja na grijaču, odmah o tome obavijestite prodavača kod kojeg ste ga kupili.

▶▶ 3. OPIS PROIZVODA

▶ 3.1. KABL ZA NAPAJSANJE (tamo gdje postoji):

KABL ZA NAPAJSANJE NEMA FUNKCIJU PUNJAČA BATERIJA.

(Sl. 5) Grijač može raditi ako se spoji na električnu mrežu uz pomoć kabla za napajanje. Povremeno provjerite stanje u kojem se nalazi kabl da biste spriječili ozbiljna oštećenja. Pridržavajte se svih upozorenja koja se odnose na kabl za napajanje a navode se u ovom priručniku.

▶ 3.2. BATERIJA (tamo gdje postoji):

(Sl. 6)

NAPOMENE: ZAVISNO OD KAPACITETA BATERIJE (IZMJERENOG U Ah), POTREBNO JE KORISTITI ORIGINALNI PUNJAČ BATERIJE PRIKLADNE SNAGE.

Grijač može samostalno raditi sa originalnom punjivom baterijom Li-ion bez potrebe da se spoji na električnu mrežu. Punjiva baterija se prilaže djelomično napunjenom pa se zato savjetuje da se obavi kompletan ciklus punjenja prije nego što počnete koristiti bateriju. Koristite samo originalne baterije za napajanje grijača. Poštujte sva upozorenja navedena u ovom priručniku koja se odnose na bateriju.

▶ 3.3. PUNJAČ BATERIJA (tamo gdje postoji):

(Sl. 7) Punjač baterija je dizajniran za punjenje originalnih Li-ion baterija. Morate poštovati parametre rada punjača baterija (vidi natpisnu pločicu postavljenu na punjaču baterija). Koristite punjač baterija na suhim mjestima zaštićenim od prašine, da biste punili isključivo originalne punjive baterije koje se mogu koristiti za napajanje ovog grijača. Punjač baterija je dizajniran da automatski obavi ciklus punjenja kada se priključi na njega punjiva baterija (Sl. 8). Svjetlosni indikator postavljenih na punjač baterije omogućuje detaljnu dijagnozu tokom faze istraživanja (Sl. 9). Poštujte sva upozorenja navedena u ovom priručniku koja se odnose na punjač baterija.

▶▶ 4. GORIVO

UPOZORENJE: Grijač radi samo na DIZEL gorivo ili EROZIN.

Koristite samo dizel gorivo ili kerozin na način da se izbjegn timerzici od požara ili eksplozije. Nikada nemojte koristiti benzin, naftu, rastvarače za boje, alkohol ili druga lako zapaljiva goriva.

Koristite netoksične anti-friz aditive u slučaju veoma niskih temperatura.

▶▶ 5. PRINCIP RADA

Vidi Sl. 2

Vazduh potreban da se obezbijedi pravilno sagorijevanje stvara se okretanjem unutrašnjeg ventilatora unutar gorionika. Protok vazduha izlazi iz izduvne cijevi gorionika i miješa se sa gorivom koje je prskano mlaznicom pod visokim pritiskom. Gorivo koje se prska mlaznicom garantuje električna pumpa koja usisava gorivo iz rezervoara i gura ga do postizanja visokog pritiska na mlaznici.

▶▶ 6. RADU

UPOZORENJE: Pažljivo pročitajte "INFORMACIJE O SIGURNOSTI", prije nego što uključite grijač.

VAŽNO: Nakon prvog neuključivanja grijača, provjerite ima li goriva u rezervoaru, provjerite da li je filter za gorivo čist i potvrdite da je grijač postavljen na ravnu i stabilnu površinu.

VAŽNO: Ovaj uređaj je infracrveni grijač. Zagrijava predmete a ne vazduh.

VAŽNO: Da biste promijenili tipologiju napajanja sa baterije na kabl i obrnuto, isključite grijač tako što ćete pažljivo pratiti sve procedure da biste izbjegli ozbiljne štete.

▶ 6.1. UKLJUČIVANJE GRIJAČA:

- ▶ 6.1.1. Pridržavajte se svih uputstava koja se odnose na sigurnost.
- ▶ 6.1.2. Provjerite da ima goriva u rezervoaru.
- ▶ 6.1.3. Zavrните čep rezervoara.
- ▶ 6.1.4. Ukopčajte utikač za napajanje u električnu mrežu ili napunjenu bateriju (VIDI NAPON U "TABELI SA TEHNIČKIM PODACIMA") (Sl. 10-11).
- ▶ 6.1.5. Postavite prekidač "ON/OFF" u poziciju "ON/UKLJ" (I) (A Sl. 3). Grijač se mora uključiti u roku od nekoliko sekundi. Ako se grijač ne pokrene, pogledajte odjeljak za pronalaženje problema (Odjelj. 10).

NAPOMENA: U SLUČAJU ISKLJUČIVANJA GRIJAČA ZBOG NEDOSTATKA GORIVA, ISKLJUČITE GA, NAPUNITE REZERVOAR I PONOVO UKLJUČITE (VIDI ODJELJ. 5.1.).

▶ 6.2. ISKLJUČIVANJE GRIJAČA:

PAŽNJA: NE ISKOPČAVAJTE NAPAJSANJE I KABL ZA NAPAJSANJE I NE VADITE BATERIJU SVE DOK SE GRIJAČ U POTPUNOSTI NE OHLADI (oko 5 minuta).

- ▶ 6.2.1. Postavite prekidač "ON/OFF" u poziciju "OF/ISKLJ" (O) (A Sl. 3).

► 6.3. POVEZIVANJE PROSTORNOG TERMOSTATA (opcija):

PAŽNJA: PROSTORNI TERMOSTAT (OPCIJA) RADI SAMO KADA SE GRIJAČ NAPAJA POMOĆU KABLA ZA NAPAJANJE.

PAŽNJA: KADA GRIJAČEM UPRAVLJA PROSTORNI TERMOSTAT (OPCIJA), ISKLJUČIVANJE I PONOVO UKLJUČIVANJE GRIJAČA JE AUTOMATSKO.

Uklonite čep povezan na grijač i povežite prostorni termostat (opcija) (C Sl. 3).

►► 7. ČIŠĆENJE FILTERA ZA GORIVO

Vidi Sl. 4

ZAVISNO OD KVALITETE KORIŠTENOG GORIVA, MOŽDA ĆE SE FILTERI MORATI OČISTITI.

- 7.1. Uklonite čep postavljena na rezervoaru (A Sl. 4).
- 7.2. Izvadite filter iz rezervoara.
- 7.3. Odvijte maticu (B Sl. 4).
- 7.4. Izvucite filter (C Sl. 4).
- 7.5. Očistite filter čistim gorivom, pazite da ga ne oštetite.
- 7.6. Ponovo postavite filter u rezervoar.

►► 9. GREŠKE NA DISPLEJU

Vidi B Sl. 3

GREŠKA	UZROK	RJEŠENJE
RADNA GREŠKA		
F0	1. Prekidač "ON/OFF" je u položaju "ON" (I) kada se generator poveže na električnu mrežu	1. Nakon što ste iskopčali generator sa električne mreže postavite prekidač u položaj "OFF" (O), ponovo ukopčajte utikač u električnu mrežu i stavite prekidač u položaj "ON" (I)
GREŠKA FOTOĆELIJE		
F1	1. Nema goriva 2. Gorivo je prljavo 3. Fotoćelija je prljava ili defektna 4. Filter goriva je prljav 5. Greška uključivanja	1. Postavite prekidač u položaj "OFF" (O) i ulijte gorivo u rezervoar 2. Postavite prekidač u položaj "OFF" (O) ispraznite rezervoar i ulijte ponovo gorivo u isti (VIDI PARAG. 6) 3. Obratite se serviseru 4. VIDI PARAG. 6 5. Obratite se serviseru
GREŠKA SENZORA ZA KONTROLU TEMPERATURE		
F2	1. Kabl prekinut 2. Senzor je defektan	1. Obratite se serviseru 2. Obratite se serviseru
GREŠKA TERMOSTATA		
F3	1. Generator ima previsoku unutrašnju temperaturu 2. Senzor protiv prevrtanja	1. Isključite generator i pričekajte da se potpuno ohladi 2. Postavite peć na ravnu i stabilnu površinu
NEPRAVILAN NAPON		
F4	1. Nepravilan napon	1. Provjerite pravilan napon vašeg uređaja
IZOSTANAK UKLJUČIVANJA NAKON 3 POKUŠAJA		
FF	1. Nema goriva 2. Filter za gorivo prljav 3. Fotoćelija prljava ili neispravna 4. Brizgaljka prljava ili neispravna 5. Intervencija senzora protiv nagiba	1. Obratite se serviseru 2. Obratite se serviseru 3. Obratite se serviseru 4. Obratite se serviseru 5. Obratite se serviseru
BATERIJA JE PRAZNA		
PF	1. Baterija je prazna	1. Napunite bateriju
GRIJAČ JE U STANJU MIROVANJA		
[]	1. Termostat je iskopčan 2. Prelazak sa napajanja kablom na ono baterijom	1. Temperatura termostata je podešena ispod temperature prostora 2. Ponovno automatsko uključivanje

►► 10. PROGRAM PREVENTIVNOG ODRŽAVANJA

UPOZORENJE: PRIJE NEGO ŠTO OBAVITE BILO KOJE ODRŽAVANJE ILI POPRAVKE, ISKOPČAJTE KABL ZA NAPAJANJE SA ELEKTRIČNE MREŽE I UVJERITE SE DA SE GENERATOR OHLADIO.

AKO SE GRIJAČ KORISTI U POSEBNO PRAŠNJAVIM SREDINAMA, POTREBNO JE ČEŠĆE ODRŽAVANJE I ČIŠĆENJE.

KOMPONENTA	UČESTALOST ODRŽAVANJA	PROCEDURA ODRŽAVANJA
Rezervoar sa gorivom	Očistite svako 150-200 sati rada zavisno od potreba	Ispraznite rezervoar i isperite ga čistim gorivom
Mlaznica	Očistite ili zamijenite jedan put tokom radne sezone ili po potrebi	Obratite se serviseru
Fotočelija	Očistite ili zamijenite jedan put tokom radne sezone ili po potrebi	Obratite se serviseru
Filter goriva	Očistite ili zamijenite dva puta tokom radne sezone ili po potrebi	Očistite filter čistim gorivom
Upaljač	Očistite svako 1.000 sati rada ili po potrebi	Obratite se serviseru
Mahalice ventilatora	Očistite po potrebi	Obratite se serviseru

►► 11. PRONALAZENJE PROBLEMA

PROBLEM	MOGUĆI UZROK	MOGUĆE RJEŠENJE
Generator se ne pokreće	<ol style="list-style-type: none"> Generator je blokiran Prekidač u položaju "OFF" (0) Nema napona Kabl za napajanje prekinut Aparatura kontrole u blokadi Pogrešno postavljanje ambijentalnog termostata Došlo je do intervencije senzora za temperaturu Osigurač je u kvaru 	<ol style="list-style-type: none"> Isključite i ponovo uključite generator Stavite prekidač u položaj "ON" (I) 3A. Pravilno ukopčajte kabl za napajanje u električnu utičnicu 3B. Provjerite mrežni uređaj 3C. Obratite se serviseru 3D. Baterija je prazna 4. Obratite se serviseru 5A. Isključite i ponovo uključite generator 5B. Nađite grešku na displeju 5C. Obratite se serviseru 6. Na sigurnosnom termostatu postavite višu temperaturu od one radnog prostora 7A. Pričekajte barem 10 minuta i ponovo pokušajte sa fazom uključivanja 7B. Obratite se serviseru 8. Obratite se serviseru
Motor/pumpa se pokreće ali nema plamena	<ol style="list-style-type: none"> Nema goriva Gorivo je prljavo Filter goriva je prljav Mlaznica je prljava Fotočelija je prljava, defektna ili nije pravilno instalirana Postojanje stranih tijela u rezervoaru Elektrode istrošene ili na pogrešnoj udaljenosti 	<ol style="list-style-type: none"> Isključite generator, ulijte gorivo u rezervoar i ponovo ga uključite Obratite se serviseru Očistite filter čistim gorivom Obratite se serviseru Obratite se serviseru Ispraznite rezervoar i ponovo ga napunite čistim gorivom Obratite se serviseru
Ventilator je blokiran i sporo se okreće	<ol style="list-style-type: none"> Motor je u kvaru 	<ol style="list-style-type: none"> Obratite se serviseru

ΣΗΜΑΝΤΙΚΟ: ΔΙΑΒΑΣΤΕ ΚΑΙ ΚΑΤΑΝΟΗΣΤΕ ΤΟ ΠΑΡΟΝ ΛΕΙΤΟΥΡΓΙΚΟ ΕΓΧΕΙΡΙΔΙΟ ΠΡΙΝ ΝΑ ΠΡΟΧΩΡΗΣΤΕ ΣΤΗ ΣΥΝΑΡΜΟΛΟΓΗΣΗ, ΤΗ ΛΕΙΤΟΥΡΓΙΑ Ή ΤΗ ΣΥΝΤΗΡΗΣΗ ΤΗΣ ΓΕΝΝΗΤΡΙΑΣ ΑΥΤΗΣ. Η ΕΣΦΑΛΜΕΝΗ ΧΡΗΣΗ ΤΗΣ ΓΕΝΝΗΤΡΙΑΣ ΜΠΟΡΕΙ ΝΑ ΠΡΟΚΑΛΕΣΕΙ ΣΟΒΑΡΟΥΣ ΤΡΑΥΜΑΤΙΣΜΟΥΣ. ΦΥΛΑΞΤΕ ΤΟ ΕΓΧΕΙΡΙΔΙΟ ΑΥΤΟ ΣΕ ΠΕΡΙΠΤΩΣΗ ΜΕΛΛΟΝΤΙΚΗΣ ΑΝΑΦΟΡΑΣ.

► 1. ΠΛΗΡΟΦΟΡΙΕΣ ΓΙΑ ΤΗΝ ΑΣΦΑΛΕΙΑ (ΠΡΟΕΙΔΟΠΟΙΗΣΕΙΣ)



ΣΗΜΑΝΤΙΚΟ: Αυτός ο αεροθερμαντήρας έχει σχεδιαστεί για κινητές και προσωρινές επαγγελματικές εφαρμογές. Δεν έχει σχεδιαστεί για οικιακή χρήση ούτε για την προσωπική θερμική άνεση.



ΣΗΜΑΝΤΙΚΟ: Αυτός ο ψυχαντήρας δεν είναι κατάλληλος για χρήση από άτομα (συμπεριλαμβανομένων των παιδιών) με μειωμένες σωματικές, αισθητηριακές ή διανοητικές ικανότητες, ή άπειρα, εκτός αν επιβλέπονται από ένα πρόσωπο υπεύθυνο για την ασφάλειά τους. Τα παιδιά θα πρέπει να ελέγχονται, έτσι ώστε να εξασφαλίζεται ότι δεν παίζουν με τη συσκευή.



ΚΙΝΔΥΝΟΣ: Η ασφυξία από το μονοξείδιο του άνθρακα μπορεί να αποβεί μοιραία.

Τα πρώτα συμπτώματα της ασφυξίας από το μονοξείδιο του άνθρακα μοιάζουν με αυτά της γρίπης, με πονοκεφάλους, ζάλη ή / και ναυτία. Τέτοιου είδους συμπτώματα μπορεί να προκληθούν από τη δυσλειτουργία του θερμαντήρα. ΣΕ ΠΕΡΙΠΤΩΣΗ ΠΟΥ ΠΑΡΟΥΣΙΑΣΤΟΥΝ ΤΑ ΣΥΜΠΤΩΜΑΤΑ ΑΥΤΑ, ΒΓΕΙΤΕ ΑΜΕΣΩΣ ΕΞΩ και αναθέστε την επισκευή του θερμαντήρα στην υπηρεσία τεχνικής υποστήριξης.

1.1. ΠΛΗΡΩΣΗ:

- 1.1.1. Το προσωπικό που έχει αναλάβει το γέμισμα πρέπει να είναι εξειδικευμένο και πλήρως εξοικειωμένο με τις οδηγίες του κατασκευαστή και την ισχύουσα νομοθεσία σχετικά με το ασφαλές γέμισμα των θερμαντήρων.
- 1.1.2. Χρησιμοποιείτε μόνο τον τύπο του καυσίμου που ορίζεται ρητά στην πινακίδα αναγνώρισης του θερμαντήρα.
- 1.1.3. Πριν εκτελέσετε το γέμισμα, σβήστε το θερμαντήρα και περιμένετε να κρυώσει.
- 1.1.4. Οι δεξαμενές αποθήκευσης του καυσίμου πρέπει να βρίσκονται σε ξεχωριστή εγκατάσταση.
- 1.1.5. Όλες οι δεξαμενές καυσίμου πρέπει να βρίσκονται σε ελάχιστη απόσταση ασφαλείας από το θερμαντήρα σύμφωνα με τους ισχύοντες νόμους.
- 1.1.6. Το καύσιμο πρέπει να φυλάσσεται σε χώρους όπου το πάτωμα δεν επιτρέπει τη διείσδυση και το στάξιμο στις φλόγες που βρίσκονται από κάτω οι οποίες μπορεί να προκαλέσουν ανάφλεξη.
- 1.1.7. Η αποθήκευση του καυσίμου πρέπει να γίνεται σύμφωνα με την ισχύουσα νομοθεσία.

1.2. ΑΣΦΑΛΕΙΑ:

- 1.2.1. Μη χρησιμοποιείτε ποτέ το θερμαντήρα σε χώρους όπου υπάρχει βενζίνη, διαλυτικά χρωμάτων ή άλλοι υψηλά εύφλεκτοι ατμοί.
- 1.2.2. Κατά τη διάρκεια της χρήσης του θερμαντήρα, ακολουθήστε όλους τους τοπικούς κανονισμούς και την ισχύουσα νομοθεσία.
- 1.2.3. Οι θερμαντήρες που χρησιμοποιούνται κοντά σε μουσαμάδες, κουρτίνες ή άλλα παρόμοια υλικά καλύμματος, πρέπει να τοποθετούνται σε απόσταση ασφαλείας από αυτά. Σας συνιστούμε επίσης να χρησιμοποιείτε υλικά καλύμματος πυρίμαχου τύπου.
- 1.2.4. Να χρησιμοποιείτε μόνο σε χώρους που αερίζονται καλά. Φροντίστε να δημιουργήσετε ένα κατάλληλο άνοιγμα σύμφωνα με τους ισχύοντες κανονισμούς με σκοπό την εισαγωγή φρέσκου αέρα από έξω.
- 1.2.5. Τροφοδοτήστε το θερμαντήρα μόνο με ρεύμα που έχει την τάση και τη συχνότητα που καθορίζεται στην πινακίδα του θερμαντήρα.

- 1.2.6. Χρησιμοποιήστε μόνο επεκτάσεις τριών καλωδίων κατάλληλης γείωσης.
- 1.2.7. Ελάχιστες αποστάσεις ασφαλείας που συνιστανται μεταξύ του θερμαντήρα και των εύφλεκτων ουσιών είναι: μπροστινή έξοδος = 2,5 m (8 ft). Στο πλάι, εμπάνω και πίσω = 1,5 m (5 ft).
- 1.2.8. Τοποθετήστε το ζεστό θερμαντήρα ή σε λειτουργία σε σταθερή, επίπεδη επιφάνεια, έτσι ώστε να μην υπάρχει κίνδυνος πυρκαγιάς.
- 1.2.9. Κρατήστε τα ζώα σε απόσταση ασφαλείας από το θερμαντήρα.
- 1.2.10. Αφαιρέστε την τροφοδοσία ή τη μπαταρία από το θερμαντήρα, όταν δεν τον χρησιμοποιείτε.
- 1.2.11. Όταν ελέγχεται από έναν θερμοστάτη ο θερμαντήρας μπορεί να ανάψει οποιαδήποτε στιγμή.
- 1.2.12. Μη χρησιμοποιείτε ποτέ το θερμαντήρα σε χώρους που χρησιμοποιείτε συχνά και σε υπνοδωμάτια.
- 1.2.13. Όταν ο θερμαντήρας είναι ζεστός, συνδεδεμένος στο ηλεκτρικό ρεύμα, τροφοδοτείται από τη μπαταρία ή είναι σε λειτουργία δεν θα πρέπει σε καμία περίπτωση να μετακινείται, να χρησιμοποιείται ή να υποβάλλεται σε οποιαδήποτε εργασία συντήρησης.
- 1.2.14. Κρατήστε τη σωστή απόσταση από τα εύφλεκτα ή θερμοδιασπόμενα υλικά (συμπεριλαμβανομένου του καλωδίου τροφοδοσίας) από τα ζεστά μέρη του θερμαντήρα.
- 1.2.15. Αν το καλώδιο τροφοδοσίας ή η μπαταρία υποστούν ζημιά, πρέπει να αντικαθίστανται από το κέντρο τεχνικής υποστήριξης ούτως ώστε να αποφεύγεται κάθε κίνδυνος (απορρίψτε το κατεστραμμένο υλικό σύμφωνα με τους ισχύοντες κανονισμούς).
- 1.2.16. Βεβαιωθείτε ότι ο θερμαντήρας είναι απενεργοποιημένος πριν συνδέσετε το ηλεκτρικό καλώδιο ή/και τοποθετήσετε την επαναφορτιζόμενη μπαταρία ούτως ώστε να αποφεύγεται κάθε κίνδυνος.
- 1.2.17. Χρησιμοποιείτε αποκλειστικά γνήσιες επαναφορτιζόμενες μπαταρίες όπως προβλέπονται ρητά. Η χρήση μη προβλεπόμενων επαναφορτιζόμενων μπαταριών μπορεί να προκαλέσει βλάβη ή κίνδυνο θανάτου σε άτομα, τραυματισμούς, εγκαύματα, εκρήξεις, ηλεκτροπληξία ή δηλητηρίαση.
- 1.2.18. Διατηρήστε μια απόσταση ασφαλείας μεταξύ της επαναφορτιζόμενης αποσυνδεδεμένης μπαταρίας και αντικείμενα όπως συνδετήρες, κέρματα, κλειδιά, καρφιά, βίδες ή άλλα μικρά μεταλλικά αντικείμενα που μπορούν να προκαλέσουν βραχυκύκλωμα. Ένα ενδεχόμενο βραχυκύκλωμα μεταξύ των επαφών της επαναφορτιζόμενης μπαταρίας μπορεί να προκαλέσει ζημιές ή τραυματισμό, εγκαύματα, εκρήξεις, κλπ. θέτοντας σε κίνδυνο την ανθρώπινη ζωή.
- 1.2.19. Η ακατάλληλη χρήση της επαναφορτιζόμενης μπαταρίας μπορεί να προκαλέσει διαρροή των υγρών της μπαταρίας. Αποφεύγετε με κάθε τρόπο την επαφή. Σε περίπτωση τυχαίας επαφής ξεπλύνετε σχολαστικά με νερό. Ζητήστε αμέσως ιατρική βοήθεια σε περίπτωση που το υγρό έρθει σε επαφή με τα μάτια. Το υγρό που εξέρχεται από την μπαταρία μπορεί να προκαλέσει εγκαύματα ή πυρκαγιές.
- 1.2.20. Η ακατάλληλη χρήση της επαναφορτιζόμενης μπαταρίας μπορεί να προκαλέσει διαρροή των ατμών της μπαταρίας. Μην εισπνέετε με κανέναν τρόπο τους ατμούς αυτούς. Ανοίξτε τα παράθυρα σε περίπτωση ατυχούς εισπνοής και να δείτε ένα γιατρό σε περίπτωση ενοχλήσεων. Οι ατμοί μπορεί να ερεθίσουν την αναπνευστική οδό.
- 1.2.21. Προκειμένου να αποφευχθεί σοβαρός κίνδυνος μην προσπαθείτε να ανοίξετε/αποσυναρμολογήσετε την επαναφορτιζόμενη μπαταρία.
- 1.2.22. Για να αποφευχθούν σοβαροί κίνδυνοι για την προστασία της μπαταρίας από τη θερμότητα (π.χ. συνεχή ηλιακή ακτινοβολία, τη φωτιά, το νερό, την υγρασία, κ.λπ. ...).
- 1.2.23. Χρησιμοποιήστε την επαναφορτιζόμενη μπαταρία μόνο με το συγκεκριμένο σύστημα θέρμανσης για να αποτρέψετε την επικίνδυνη υπερφόρτωση.
- 1.2.24. Χρησιμοποιήστε αποκλειστικά επαναφορτιζόμενες μπαταρίες που διαθέτουν την υποδεικνυόμενη ένταση στην πινα-

κίδα των τεχνικών δεδομένων του θερμαντήρα. Σε περίπτωση χρήσης άλλων επαναφορτιζόμενες μπαταριών (μπαταρίες, για παράδειγμα, απομίμησης αναγεννημένη μπαταρίες, μπαταρίες του ανταγωνισμού, κ.λπ.) υπάρχει κίνδυνος τραυματισμού ή / και έκρηξη.

- ▶ 1.2.25. Φορτίστε την επαναφορτιζόμενη μπαταρία μόνο με τον γνήσιο φορτιστή. Κάθε μπαταρία χρειάζεται ειδικό φορτιστή, ώστε να αποφεύγεται ο κίνδυνος πυρκαγιάς και έκρηξης.
- ▶ 1.2.26. Χρησιμοποιήστε μόνο τα προβλεπόμενα τροφοδοτικά από το παρόν εγχειρίδιο. Απαγορεύεται να αλλάξετε τη λειτουργία τροφοδοσίας στο θερμαντήρα σε λειτουργία, προκειμένου να αποφευχθούν σοβαρές ζημιές.
- ▶ 1.2.27. Όταν ο θερμαντήρας ελέγχεται από το θερμοστάτη ή περνάει από την ηλεκτρική τροφοδοσία του καλωδίου στην τροφοδοσία της μπαταρίας, ο θερμαντήρας μπορεί να απενεργοποιηθεί και να μεταφερθεί σε κατάσταση αναμονής stand-by (στην οθόνη εμφανίζεται η σήμανση "[]"), δώστε τη μέγιστη προσοχή διότι ο θερμαντήρας μπορεί να ανάψει αυτόματα οποιαδήποτε στιγμή και μπορεί να προκαλέσει σοβαρές βλάβες σε πράγματα και πρόσωπα.

▶▶ 2. ΑΠΟΣΥΣΚΕΥΑΣΙΑ

Βλέπε Εικ. 1

- ▶ 2.1. Αφαιρέστε όλα τα υλικά του περιτυλίγματος που έχουν χρησιμοποιηθεί για τη συσκευασία και την αποστολή του θερμαντήρα και απορρίψτε τα σύμφωνα με τους ισχύοντες κανονισμούς.
- ▶ 2.2. Αφαιρέστε όλα τα συστατικά μέρη από το περιτύλιγμα.
- ▶ 2.3. Ελέγξτε για τυχόν ζημιές κατά τη διάρκεια της μεταφοράς. Αν ο θερμαντήρας έχει υποστεί ζημιά, ειδοποιήστε αμέσως τον αντιπρόσωπο από όπου τον αγοράσατε.

▶▶ 3. ΠΕΡΙΓΡΑΦΗ ΣΤΟΙΧΕΙΩΝ

▶ 3.1. ΗΛΕΚΤΡΙΚΟ ΚΑΛΩΔΙΟ (όπου υπάρχει):

ΤΟ ΚΑΛΩΔΙΟ ΤΡΟΦΟΔΟΣΙΑΣ ΔΕΝ ΕΝΕΡΓΕΙ ΩΣ ΦΟΡΤΙΣΤΗΣ. (Εικ. 5) Ο θερμαντήρας μπορεί να συνδεθεί στο ηλεκτρικό δίκτυο από το ηλεκτρικό καλώδιο. Ελέγχετε περιοδικά την κατάσταση του καλωδίου, προκειμένου να αποφύγετε σοβαρές ζημιές. Τηρήστε όλες τις προειδοποιήσεις σχετικά με την παροχή ηλεκτρικού ρεύματος, όπως περιγράφεται στο παρόν εγχειρίδιο.

▶ 3.2. ΜΠΑΤΑΡΙΑ (εφόσον υπάρχει):

(Εικ. 6)

ΣΗΜΕΙΩΣΕΙΣ: ΑΝΑΛΟΓΑ ΜΕ ΤΗ ΧΩΡΗΤΙΚΟΤΗΤΑ ΤΗΣ ΜΠΑΤΑΡΙΑΣ (ΠΟΥ ΜΕΤΡΙΕΤΑΙ ΣΕ Ah), ΠΡΕΠΕΙ ΝΑ ΧΡΗΣΙΜΟΠΟΙΕΙΤΕ ΕΝΑ ΠΡΩΤΟΤΥΠΟ ΦΟΡΤΙΣΤΗ ΚΑΙ ΤΗΝ ΚΑΤΑΛΛΗΛΗ ΙΣΧΥ.

Ο θερμαντήρας μπορεί να λειτουργεί αυτόνομα με μια επαναφορτιζόμενη μπαταρία Li-ion πρωτότυπο, χωρίς να χρειάζεται να συνδεθεί με το ηλεκτρικό δίκτυο. Η επαναφορτιζόμενη μπαταρία παρέχει φορτισμένη εν μέρει και για το λόγο αυτό σας συνιστούμε να εκτελείτε έναν πλήρη κύκλο φόρτισης πριν τη χρησιμοποιήσετε. Χρησιμοποιείτε μόνο γνήσιες μπαταρίες για να τροφοδοτήσετε το θερμαντικό σώμα. Τηρήστε όλες τις προειδοποιήσεις σχετικά με τη μπαταρία, όπως περιγράφεται στο παρόν εγχειρίδιο.

▶ 3.3. ΦΟΡΤΙΣΤΗΣ (εφόσον υπάρχει):

(Εικ. 7) Ο φορτιστής είναι σχεδιασμένος για την φόρτιση των πρωτότυπων μπαταριών Li-ion. Είναι σημαντική η συμμόρφωση με τις παραμέτρους λειτουργίας του φορτιστή (βλέπε πινακίδα δεδομένων στο φορτιστή). Χρησιμοποιήστε το φορτιστή σε μέρη τελείως στεγνά και προστατευμένα από τη σκόνη, για φόρτιση μόνο επαναφορτιζόμενων μπαταριών που χρησιμοποιούνται για να τροφοδοτήσουν αυτό το θερμαντήρα. Ο φορτιστής είναι σχεδιασμένος για να λειτουργεί με το σωστό αυτόματο κύκλο φόρτισης όταν η μπαταρία είναι συνδεδεμένη (Εικ. 8). Μια σειρά από φωτεινούς δείκτες που τοποθετούνται στο φορτιστή σας επιτρέπουν να κάνετε μια λεπτομερή διάγνωση κατά τη διάρκεια της φάσης έρευνας (Εικ. 9). Τηρήστε όλες τις προειδοποιήσεις σχετικά με το φορτιστή που αναφέρονται στο παρόν εγχειρίδιο.

▶▶ 4. ΚΑΥΣΙΜΟ

ΠΡΟΕΙΔΟΠΟΙΗΣΗ: Ο θερμαντήρας λειτουργεί μόνο με ΠΕΤΡΕΛΑΙΟ ΝΤΙΖΕΛ ή ΚΗΡΟΖΙΝΗ.

Χρησιμοποιείτε μόνο πετρέλαιο ντίζελ ή κηροζίνη για να αποφύγετε τον κίνδυνο πυρκαγιάς ή έκρηξης. Μη χρησιμοποιείτε ποτέ βενζίνη, νάφθα, διαλυτικά για χρώματα, αλκοόλ ή άλλα πολύ εύφλεκτα καύσιμα.

Χρησιμοποιήστε μη τοξικά αντιψυκτικά πρόσθετα σε περίπτωση πολύ χαμηλών θερμοκρασιών.

▶▶ 5. ΑΡΧΕΣ ΛΕΙΤΟΥΡΓΙΑΣ

Βλέπε Εικ. 2

Ο αναγκασμός αέρα για την εξασφάλιση μιας σωστής καύσης παράγεται από την περιστροφή ενός ανεμιστήρα μέσα στον καυστήρα. Ο αέρας βγαίνει από τον καυστήρα και αναμειγνύεται με το καύσιμο που κονιοποιείται από ένα ακροφύσιο σε υψηλή πίεση. Το καύσιμο που κονιοποιείται από το ακροφύσιο εξασφαλίζεται από μια ηλεκτρική αντλία που αναρροφά το καύσιμο από τη δεξαμενή και το ωθεί με υψηλή πίεση στο ακροφύσιο.

▶▶ 6. ΛΕΙΤΟΥΡΓΙΑ

ΠΡΟΕΙΔΟΠΟΙΗΣΗ: Παρακαλούμε διαβάστε προσεκτικά τις "ΠΛΗΡΟΦΟΡΙΕΣ ΣΧΕΤΙΚΑ ΜΕ ΤΗΝ ΑΣΦΑΛΕΙΑ", πριν ενεργοποιήσετε το θερμαντήρα.

ΣΗΜΑΝΤΙΚΟ: Μετά την πρώτη αποτυχημένη ενεργοποίηση του θερμαντήρα, ελέγξτε τα καύσιμα στη δεξαμενή. Βεβαιωθείτε ότι το φίλτρο των καυσίμων είναι καθαρό και εξακριβώστε ότι ο θερμαντήρας είναι τοποθετημένος σε επίπεδη και σταθερή επιφάνεια.

ΣΗΜΑΝΤΙΚΟ: Η παρούσα συσκευή είναι ένας υπέρυθρος θερμαντήρας. Θερμαίνει αντικείμενα, όχι τον αέρα.

ΣΗΜΑΝΤΙΚΟ: Για την αλλαγή της τυπολογίας της ηλεκτρικής τροφοδοσίας από μπαταρία σε καλώδιο, απενεργοποιήστε το θερμαντήρα ακολουθώντας σχολαστικά όλη τη διαδικασία για να αποφύγετε σοβαρές ζημιές.

▶ 6.1. ΑΝΑΦΛΕΞΗ ΤΟΥ ΘΕΡΜΑΝΤΗΡΑ:

- ▶ 6.1.1. Ακολουθείστε όλες τις οδηγίες σχετικά με την ασφάλεια.
- ▶ 6.1.2. Βεβαιωθείτε ότι υπάρχουν καύσιμα στη δεξαμενή.
- ▶ 6.1.3. Κλείστε την τάπα της δεξαμενής.
- ▶ 6.1.4. Συνδέστε το βύσμα τροφοδοσίας στο ηλεκτρικό δίκτυο ή στη φορτισμένη μπαταρία (ΔΕΙΤΕ ΤΗΝ ΤΑΣΗ ΣΤΟΝ "ΠΙΝΑΚΑ ΤΕΧΝΙΚΩΝ ΔΕΔΟΜΕΝΩΝ") (Εικ. 10-11).
- ▶ 6.1.5. Βάλτε το διακόπτη "ON/OFF" στη θέση "ON" (I) (Α Εικ. 3). Ο θερμαντήρας θα πρέπει να ανάψει μέσα σε λίγα δευτερόλεπτα. Αν ο θερμαντήρας δεν ενεργοποιείται ανατρέξτε στην παράγραφο εντοπισμού προβλημάτων (Παράγρ. 10).

ΣΗΜΕΙΩΣΗ: ΣΕ ΠΕΡΙΠΤΩΣΗ ΑΠΕΝΕΡΓΟΠΟΙΗΣΗΣ ΤΟΥ ΘΕΡΜΑΝΤΗΡΑ ΛΟΓΩ ΕΞΑΝΤΛΗΣΗΣ ΤΟΥ ΚΑΥΣΙΜΟΥ, ΑΠΕΝΕΡΓΟΠΟΙΗΣΤΕ ΤΟ ΘΕΡΜΑΝΤΗΡΑ, ΓΕΜΙΣΤΕ ΤΗ ΔΕΞΑΜΕΝΗ ΚΑΙ ΕΝΕΡΓΟΠΟΙΗΣΤΕ ΤΟΝ ΞΑΝΑ (ΔΕΙΤΕ ΠΑΡΑΓΡ. 5.1.).

▶ 6.2. ΑΠΕΝΕΡΓΟΠΟΙΗΣΗ ΤΟΥ ΘΕΡΜΑΝΤΗΡΑ:

ΠΡΟΣΟΧΗ: ΜΗΝ ΑΦΑΙΡΕΙΤΕ ΤΗΝ ΤΑΣΗ, ΑΠΟΣΥΝΔΕΕΤΕ ΤΟ ΚΑΛΩΔΙΟ ΤΡΟΦΟΔΟΣΙΑΣ Ή ΑΦΑΙΡΕΙΤΕ ΤΗ ΜΠΑΤΑΡΙΑ ΑΝ ΔΕΝ ΕΧΕΙ ΚΡΥΩΣΕΙ ΠΛΗΡΩΣ Ο ΘΕΡΜΑΝΤΗΡΑΣ (περίπου 5 λεπτά).

- ▶ 6.2.1. Βάλτε το διακόπτη "ON/OFF" στη θέση "OFF" (0) (Α Εικ. 3).

► **6.3. ΣΥΝΔΕΣΗ ΤΟΥ ΘΕΡΜΟΣΤΑΤΗ ΠΕΡΙΒΑΛΛΟΝΤΟΣ (προαιρετικό):**

ΠΡΟΣΟΧΗ: Ο ΘΕΡΜΟΣΤΑΤΗΣ ΠΕΡΙΒΑΛΛΟΝΤΟΣ (ΠΡΟΑΙΡΕΤΙΚΟ) ΛΕΙΤΟΥΡΓΕΙ ΜΟΝΟ ΟΤΑΝ Ο ΘΕΡΜΑΝΤΗΡΑΣ ΤΡΟΦΟΔΟΤΕΙΤΑΙ ΑΠΟ ΤΟ ΗΛΕΚΤΡΙΚΟ ΚΑΛΩΔΙΟ.

ΠΡΟΣΟΧΗ: ΟΤΑΝ Ο ΘΕΡΜΑΝΤΗΡΑΣ ΕΛΕΓΧΕΤΑΙ ΑΠΟ ΤΟ ΘΕΡΜΟΣΤΑΤΗ ΠΕΡΙΒΑΛΛΟΝΤΟΣ (ΠΡΟΑΙΡΕΤΙΚΟ), Η ΑΠΕΝΕΡΓΟΠΟΙΗΣΗ ΚΑΙ ΕΝΕΡΓΟΠΟΙΗΣΗ ΤΟΥ ΘΕΡΜΑΝΤΗΡΑ ΕΙΝΑΙ ΑΥΤΟΜΑΤΗ.

Αφαιρέστε το καπάκι που συνδέεται με τη συσκευή και συνδέστε το θερμοστάτη περιβάλλοντος (προαιρετικό) (C Εικ. 3).

►► **7. ΚΑΘΑΡΙΣΜΟΣ ΦΙΛΤΡΟΥ ΚΑΥΣΙΜΟΥ**
Βλέπε Εικ. 4

ΑΝΑΛΟΓΑ ΜΕ ΤΗΝ ΠΟΙΟΤΗΤΑ ΤΟΥ ΚΑΥΣΙΜΟΥ ΠΟΥ ΧΡΗΣΙΜΟΠΟΙΕΙΤΑΙ, ΜΠΟΡΕΙ ΝΑ ΚΑΤΑΣΤΕΙ ΑΝΑΓΚΑΙΟΣ Ο ΚΑΘΑΡΙΣΜΟΣ ΤΟΥ ΦΙΛΤΡΟΥ.

- 7.1. Αφαιρέστε το πώμα που βρίσκεται στη δεξαμενή (A Εικ. 4).
- 7.2. Βγάλτε το φίλτρο από τη δεξαμενή.

- 7.3. Ξεβιδώστε το παξιμάδι (B Εικ. 4).
- 7.4. Ξεβιδώστε το φίλτρο (C Εικ. 4).
- 7.5. Καθαρίστε το φίλτρο με καθαρό καύσιμο, προσέχοντας να μην το καταστρέψετε.
- 7.6. Επανατοποθετήστε το φίλτρο στη δεξαμενή.

►► **8. ΑΠΟΘΗΚΕΥΣΗ ΚΑΙ ΜΕΤΑΦΟΡΑ**

ΓΙΑ ΝΑ ΑΠΟΘΗΚΕΥΣΕΤΕ Ή/ΚΑΙ ΝΑ ΜΕΤΑΦΕΡΕΤΕ ΚΑΛΥΤΕΡΑ ΤΟ ΘΕΡΜΑΝΤΗΡΑ, ΣΑΣ ΣΥΝΙΣΤΟΥΜΕ ΝΑ ΕΚΤΕΛΕΣΕΤΕ ΤΗΝ ΑΚΟΛΟΥΘΗ ΔΙΑΔΙΚΑΣΙΑ:

- 8.1. Αδειάστε τη δεξαμενή από το καύσιμο.
- 8.2. Αν δείτε ότι υπάρχουν τυχόν υπολείμματα, βάλτε νέο καύσιμο στη δεξαμενή και αποστραγγίστε ξανά.
- 8.3. Κλείστε το πώμα της δεξαμενής και απορρίψτε το καύσιμο με κατάλληλο τρόπο και σύμφωνα με τους ισχύοντες νόμους.
- 8.4. Για την καλύτερη αποθήκευση του θερμοαντήρα, σας συνιστούμε να τον διατηρείτε σε ευθύγραμμη θέση, προκειμένου να μην υπάρχει διαρροή του καυσίμου και να τον αποθηκεύετε σε ξηρό χώρο και μακριά από πιθανές εξωτερικές ζημιές.

►► **9. ΣΦΑΛΜΑΤΑ ΟΘΟΝΗΣ**

Βλέπε Β Εικ. 3

ΣΦΑΛΜΑ	ΑΙΤΙΑ	ΛΥΣΗ
ΛΕΙΤΟΥΡΓΙΚΟ ΣΦΑΛΜΑ		
F0	1. Ο διακόπτης "ON/OFF" είναι σε θέση "ON" (I) όταν η γεννήτρια συνδέεται στο ηλεκτρικό δίκτυο	1. Μετά την αποσύνδεση της γεννήτριας από το ηλεκτρικό δίκτυο γυρίστε το διακόπτη σε θέση "OFF" (0), συνδέστε και πάλι το βύσμα του ηλεκτρικού δικτύου και γυρίστε το διακόπτη σε θέση "ON" (I)
ΣΦΑΛΜΑ ΦΩΤΟΚΥΤΤΑΡΟΥ		
F1	1. Απουσία καυσίμων 2. Βρώμικα καύσιμα 3. Φωτοκύτταρο βρώμικο ή ελαττωματικό 4. Βρώμικο φίλτρο καυσίμων 5. Σφάλμα ενεργοποίησης	1. Γυρίστε το διακόπτη σε θέση "OFF" (0) και γεμίστε τη δεξαμενή καυσίμων 2. Γυρίστε το διακόπτη σε θέση "OFF" (0), αδειάστε και γεμίστε τη δεξαμενή καυσίμων (ΔΕΙΤΕ ΠΑΡΑΓΡΑΦΟ 6) 3. Απευθυνθείτε στο κέντρο εξυπηρέτησης 4. ΔΕΙΤΕ ΠΑΡΑΓΡΑΦΟ 6 5. Απευθυνθείτε στο κέντρο εξυπηρέτησης
ΣΦΑΛΜΑ ΑΙΣΘΗΤΗΡΑ ΕΛΕΓΧΟΥ ΘΕΡΜΟΚΡΑΣΙΑΣ		
F2	1. Διακεκομμένο καλώδιο 2. Ελαττωματικός αισθητήρας	1. Απευθυνθείτε στο κέντρο εξυπηρέτησης 2. Απευθυνθείτε στο κέντρο εξυπηρέτησης
ERRORE TERMOSTATO		
F3	1. Γεννήτρια σε εσωτερική υπερθέρμανση 2. Αισθητήρας κατά των ανατροπών	1. Απενεργοποιήστε τη γεννήτρια και περιμένετε να κρυώσει πλήρως η γεννήτρια 2. Τοποθετήστε τη σόμπα σε επίπεδη και σταθερή επιφάνεια
ΤΑΣΗ ΠΟΥ ΔΕΝ ΕΧΕΙ ΠΡΟΣΑΡΜΟΣΤΕΙ		
F4	1. Τάση που δεν έχει προσαρμοστεί	1. Ελέγξτε τη σωστή τάση της εγκατάστασής σας
ΑΠΟΤΥΧΗΜΕΝΗ ΕΝΕΡΓΟΠΟΙΗΣΗ ΓΙΑ ΤΡΕΙΣ ΠΡΟΣΠΑΘΕΙΕΣ		
FF	1. Απουσία καυσίμων 2. Βρώμικο φίλτρο καυσίμων 3. Ελαττωματικό ή βρώμικο φωτοκύτταρο 4. Ελαττωματικό ή βρώμικο ακροφύσιο 5. Παρέμβαση αισθητήρα κατά της ανατροπής	1. Απευθυνθείτε στο κέντρο εξυπηρέτησης 2. Απευθυνθείτε στο κέντρο εξυπηρέτησης 3. Απευθυνθείτε στο κέντρο εξυπηρέτησης 4. Απευθυνθείτε στο κέντρο εξυπηρέτησης 5. Απευθυνθείτε στο κέντρο εξυπηρέτησης
ΑΠΟΦΟΡΤΙΣΜΕΝΗ ΜΠΑΤΑΡΙΑ		
PF	1. Αποφορτισμένη μπαταρία	1. Επαναφορτίστε τη μπαταρία
ΘΕΡΜΑΝΤΗΡΑΣ ΣΕ ΚΑΤΑΣΤΑΣΗ ΑΝΑΜΟΝΗΣ STAND-BY		
[]	1. Συνδεδεμένος θερμοστάτης 2. Μετάβαση από την τροφοδοσία με καλώδιο στη μπαταρία	1. Θερμοκρασία του θερμοστάτη που ρυθμίζεται ανάλογα με τη θερμοκρασία περιβάλλοντος 2. Αυτόματη επανενεργοποίηση

►► 10. ΠΡΟΓΡΑΜΜΑ ΠΡΟΛΗΠΤΙΚΗΣ ΣΥΝΤΗΡΗΣΗΣ

ΠΡΟΕΙΔΟΠΟΙΗΣΗ: ΠΡΙΝ ΠΡΑΓΜΑΤΟΠΟΙΗΣΕΤΕ ΟΠΟΙΑΔΗΠΟΤΕ ΕΡΓΑΣΙΑ ΣΥΝΤΗΡΗΣΗΣ Ή ΕΠΙΣΚΕΥΗΣ ΑΠΟΣΥΝΔΕΣΤΕ ΤΟ ΤΡΟΦΟΔΟΤΙΚΟ ΚΑΛΩΔΙΟ ΑΠΟ ΤΟ ΗΛΕΚΤΡΙΚΟ ΡΕΥΜΑ ΚΑΙ ΒΕΒΑΙΩΘΕΙΤΕ ΟΤΙ Η ΓΕΝΝΗΤΡΙΑ ΕΧΕΙ ΚΡΥΩΣΕΙ.

ΑΝ Ο ΘΕΡΜΑΝΤΗΡΑΣ ΧΡΗΣΙΜΟΠΟΙΕΙΤΑΙ ΣΕ ΙΔΙΑΙΤΕΡΑ ΣΚΟΝΙΣΜΕΝΑ ΠΕΡΙΒΑΛΛΟΝΤΑ Η ΣΥΝΤΗΡΗΣΗ ΚΑΙ Ο ΚΑΘΑΡΙΣΜΟΣ ΘΑ ΠΡΕΠΕΙ ΝΑ ΔΙΕΝΕΡΓΟΥΝΤΑΙ ΣΥΧΝΟΤΕΡΑ.Α.


ΣΥΣΤΑΤΙΚΟ ΜΕΡΟΣ	ΣΥΧΝΟΤΗΤΑ ΣΥΝΤΗΡΗΣΗΣ	ΔΙΑΔΙΚΑΣΙΑ ΣΥΝΤΗΡΗΣΗΣ
Δεξαμενή καυσίμων	Καθαρίζετε κάθε 150-200 ώρες λειτουργίας ή ανάλογα με τις ανάγκες	Αδειάστε και γεμίστε εκ νέου τη δεξαμενή με καθαρά καύσιμα
Ακροφύσιο	Καθαρίστε ή αντικαταστήστε μια φορά για κάθε εποχή εργασιών ή ανάλογα με τις ανάγκες	Απευθυνθείτε στο κέντρο εξυπηρέτησης
Φωτοκύτταρο	Καθαρίστε μια φορά για κάθε εποχή εργασιών ή ανάλογα με τις ανάγκες	Απευθυνθείτε στο κέντρο εξυπηρέτησης
Φίλτρο καυσίμων	Καθαρίστε ή αντικαταστήστε δύο φορές για κάθε εποχή εργασιών ή ανάλογα με τις ανάγκες	Καθαρίστε το φίλτρο με καθαρά καύσιμα
Αναφλεκτήρας	Καθαρίστε ή αντικαταστήστε κάθε 1.000 ώρες λειτουργίας ή ανάλογα με τις ανάγκες	Απευθυνθείτε στο κέντρο εξυπηρέτησης
Πτερύγια του ανεμιστήρα	Καθαρίστε ανάλογα με τις ανάγκες	Απευθυνθείτε στο κέντρο εξυπηρέτησης


►► 11. ΠΡΟΣΔΙΟΡΙΣΜΟΣ ΤΟΥ ΠΡΟΒΛΗΜΑΤΟΣ


ΠΡΟΒΛΗΜΑ	ΠΙΘΑΝΗ ΑΙΤΙΑ	ΠΙΘΑΝΗ ΛΥΣΗ
Η γεννήτρια δεν ξεκινάει	<ol style="list-style-type: none"> 1. Γεννήτρια μπλοκαρισμένη 2. Διακόπτης σε θέση "OFF" (0) 3. Απουσία τάσης 4. Διακεκομμένο καλώδιο τροφοδοσίας 5. Κάρτα ελέγχου μπλοκαρισμένη 6. Εσφαλμένη ρύθμιση του θερμοστάτη χώρου 7. Παρεμβολή ορίου αισθητήρα θερμοκρασίας 8. Βλάβη ασφάλειας 	<ol style="list-style-type: none"> 1. Απενεργοποιήστε και ενεργοποιήστε εκ νέου τη γεννήτρια 2. Γυρίστε το διακόπτη σε θέση "ON" (I) 3Α. Τοποθετήστε σωστά το τροφοδοτικό καλώδιο στην ηλεκτρική πρίζα 3Β. Ελέγξτε την ηλεκτρική εγκατάσταση 3C. Απευθυνθείτε στο κέντρο εξυπηρέτησης 3D. Αποφορτισμένη μπαταρία 4. Απευθυνθείτε στο κέντρο εξυπηρέτησης 5Α. Απενεργοποιήστε και ενεργοποιήστε εκ νέου τη γεννήτρια 5Β. Προσδιορίστε το σφάλμα στην οθόνη 5C. Απευθυνθείτε στο κέντρο εξυπηρέτησης 6. Ενεργήστε στο θερμοστάτη χώρο, γυρίζοντάς τον σε μια θερμοκρασία ανώτερη από εκείνη του χώρου λειτουργίας 7Α. Περιμένετε τουλάχιστον δέκα λεπτά και ξαναδοκιμάστε τη φάση έναυσης 7Β. Απευθυνθείτε στο κέντρο εξυπηρέτησης 8. Απευθυνθείτε στο κέντρο εξυπηρέτησης
Ο κινητήρας/αντλία ξεκινά αλλά η φλόγα δεν ανάβει	<ol style="list-style-type: none"> 1. Απουσία καυσίμων 2. Αναφλεκτήρας βρώμικος 3. Βρώμικο φίλτρο καυσίμων 4. Ακροφύσιο βρώμικο 5. Φωτοκύτταρο βρώμικο, ελαττωματικό ή λάθος εγκατεστημένο 6. Παρουσία ξένων ουσιών στη δεξαμενή 7. Φθαρμένα ηλεκτρόδια ή σε λάθος απόσταση 	<ol style="list-style-type: none"> 1. Απενεργοποιήστε τη γεννήτρια, γεμίστε και πάλι τη δεξαμενή καυσίμων και ενεργοποιήστε την ξανά 2. Απευθυνθείτε στο κέντρο εξυπηρέτησης 3. Καθαρίστε το φίλτρο με καθαρά καύσιμα 4. Απευθυνθείτε στο κέντρο εξυπηρέτησης 5. Απευθυνθείτε στο κέντρο εξυπηρέτησης 6. Αδειάστε και γεμίστε εκ νέου τη δεξαμενή με καθαρά καύσιμα 7. Απευθυνθείτε στο κέντρο εξυπηρέτησης
Ο ανεμιστήρας έχει μπλοκαριστεί ή γυρίζει αργά	<ol style="list-style-type: none"> 1. Κινητήρας χαλασμένος 	<ol style="list-style-type: none"> 1. Απευθυνθείτε στο κέντρο εξυπηρέτησης

重要须知：在产品的安装、运行或保养前，请务必仔细阅读并理解本手册。不当的操作可能造成严重伤害，请妥善保存本手册以便在将来使用。

▶▶1.信息关于 安全（警告）

 **重要事项：**本空气加热器设计用于移动应用和临时专业性应用。其并非供家用或人体取暖用。

 **重要事项：**这个装置不得由在身体上、感觉上和精神上条件不足的人（包括儿童）或者不具备专业知识的人使用，除非有另外一个负责人对他们的安全进行监管。要看管好儿童确保其不要玩耍这些装置。

 **危险：**一氧化碳窒息会带来生命危险。

一氧化碳窒息的最初的症状与感冒的症状很相似，伴有头痛，眩晕和/或恶心。这些症状可能由于加热器的不良运行所引起。如果出现了这些症状，应该立即走出到开放的环境中，并让技术支持中心来对加热器进行修理。

1.1.参考：

- ▶1.1.1.负责项目的员工应该具备相关的资质并且要对厂商的指导说明和与加热器燃料添加安全有关的法律非常熟悉。
- ▶1.1.2.只能使用加热器铭牌上明确规定的燃料种类。
- ▶1.1.3.在给加热器添加燃料前，应该关闭加热器并等待其冷却。
- ▶1.1.4.燃料储存罐必须位于一个单独的房间中。
- ▶1.1.5.按照法律规定，所有燃料罐应位于与加热器最小安全距离以外的地方。
- ▶1.1.6.燃料应该保存在地板上不会渗透并且燃料不会接触到底下火苗的环境中，以防着火发生火灾。
- ▶1.1.7.对燃料的保存应该符合法律的要求。

1.2.安全：

- ▶1.2.1.任何情况下不得在有汽油、油漆溶液或其它易燃蒸气的地方使用加热器。
- ▶1.2.2.在加热器使用期间，要遵守所有当地法令和现行法律的规定。
- ▶1.2.3.如果加热器的位置相邻一些面料、窗帘或其它相似材料的遮盖物，应该与这些材料保持一定的安全距离。建议使用防火材料的遮盖物。
- ▶1.2.4.只能用于通风好的区域。按照法律的要求设置一个通风口，使外部的新鲜空气可以进入。
- ▶1.2.5.只能使用符合铭牌上规定电压和频率的电源。
- ▶1.2.6.必须使用正确连接至地线的三相加长接线。
- ▶1.2.7.建议加热器和易燃物质之间的最小安全距离为：前方= 2.5 m(8 ft)；左右侧、上方和后方 = 1.5 m(5 ft)。
- ▶1.2.8.将发热的或正在运行中的加热器放置在一个稳固和水平的平面，以避免发生火灾。

- ▶1.2.9.将动物保持在加热器安全距离以外的地方。
- ▶1.2.10.在不使用时请从加热器上取下电源或电池。
- ▶1.2.11.在有调温器控制的条件下，随时打开可以加热器可以。
- ▶1.2.12.任何情况下不得在经常居住的房间里使用加热器，也不能在卧室中使用。
- ▶1.2.13.当加热器变热后，连接到电网后或者在运行过程中，不能对其进行移动、操作、加燃料或维修。
- ▶1.2.14.加热器的发热部件要与易燃和不耐热的材料保持适当的距离（包含电源线）。
- ▶1.2.15.如果电源线或电池损坏，必须由技术服务中心更换，以防止出现任何风险（按照现行规定处置损坏的材料）。
- ▶1.2.16.在插入电源线和/或插入充电电池之前。请确保加热器已关闭，防止出现任何风险。
- ▶1.2.17.只使用和完全用明确规定的原装充电电池。使用未规定的可充电电池可造成人员损伤或生命危险，伤害，烧伤，爆炸，触电或中毒。
- ▶1.2.18.在断开的充电电池和回形针，硬币，钥匙，钉子，螺丝或其他小金属物体之间保持安全距离，它们可能会导致短路。可充电电池的触点之间短路会造成人员的损伤或生命危险，伤害，烧伤，爆炸等。
- ▶1.2.19.错误使用可充电的电池可能导致从电池液体溢出。绝对避免与其接触。万一不慎接触，用清水彻底冲洗。一旦液体接触到眼睛立即就医。从可充电电池排出液体可引起皮肤过敏或灼伤。
- ▶1.2.20.错误使用可充电的电池可能导致从电池气体溢出。绝对避免吸入这些气体。让新鲜空气流入，并且在意外吸入的情况下和如感不适请找医生治疗。蒸气会刺激呼吸道。
- ▶1.2.21.为了避免严重的风险不要尝试打开/拆卸可充电式电池。
- ▶1.2.22.为了避免严重的风险，保护可充电电池免受热影响（如太阳不断辐照，防火，防水，防潮，等等）。
- ▶1.2.23.使用只用于该加热器可充电电池规格，以防止过载的危险。
- ▶1.2.24.只能使用加热器的技术数据铭牌上所示电压原配充电电池。使用其他充电电池的情况下（例如，模仿电池，再生电池，竞争对手的电池等。）存在伤害和/或爆炸的危险。
- ▶1.2.25.充电可充电电池只能和专用使用原装充电器。每个电池需要特定的充电器，以避免火灾和爆炸的风险。

- ▶1.2.26.只使用本手册中规定的的供电模式。禁止改变运行中加热器的模式，以便避免造成严重损坏。
- ▶1.2.27.当恒温器操作加热器或从电源切换到电池电源时，加热器可能会关闭并进入待机模式（显示屏将显示“[]”），请密切关注，因为加热器可能随时自动打开，并可能对事物和人造成严重损害。

▶▶2.拆除包装

参见图示1

- ▶2.1.拿掉所有用于打包和运输加热器的包装材料和按照现行规定处理它们。
- ▶2.2.从包装内取出所有的组件。
- ▶2.3.检查是否在运输过程中有所损坏。如果加热器出现损坏，应该立即通知购货的代理商。

▶▶3.品种描述

▶3.1.电源线（如有）：

供电没有充电器的功能。

(图5)加热器可以通过电源线连接到电源。定期检查电缆状态以避免严重损坏。遵守本手册中所述电源线的的所有相关警告。

▶3.2.电池（如有）：

(图6)

注：根据电池容量（Ah测量），必须使用原件和保证充足的电力。

该加热器可以独立的方式带可充电的原始锂离子运行，而无需连接电网。充电的电池提供部分充电，为此建议在使用电池前进行一个完整充电的循环。只能使用原厂电池用于加热器通电。遵守本手册中所述电池的所有相关警告。

▶3.3.充电器（如有）：

(图7) 电池充电器为原装锂电池充电而设计的。需要遵守充电器的工作参数（参见在充电器上使用的数据铭牌）。在完全干燥并防尘的地点使用充电器，以用于专门加载可用的充电电池充用于加热器通电。当可充电电池连接时，充电器被设计用自动模式管理正确的充电循环（插图8）。电池充电器上的指示灯可允许在搜索阶段进行详细的诊断（图9）。遵守本手册中所述充电器上的所有相关警告。

▶▶4.燃料

提醒：加热器只使用柴油或煤油。
只能使用柴油或煤油，避免火灾和爆炸的危险。任何时候不得使用汽油、石脑油、油漆溶剂、酒精或其它易燃燃料。

在温度很低的情况下要使用无毒的防冻液。

▶▶5.运行原理

参见图示2.

确保燃烧产生的空气是由燃烧器内部风扇的旋转产生的。气流从燃烧器排气管排出，并与高压喷嘴喷射的燃料混合。喷嘴所产生的燃料是由一个电泵从油箱中吸取燃料所产生的，并将燃料推向高压喷嘴。

▶▶6.操作

提醒：在启动加热器之前，要仔细阅读“安全信息”中的内容。

重要事项：加热器的第一次启动失败后，核实燃料箱中燃料、核实燃油滤清器是否清洁且核实加热器是否放置在一个平稳的表面上。

重要事项：这个装置是红外线加热器。加热物体，而不是空气。

重要事项：要更改从电池到电缆的电源类型，请按照所有步骤小心关闭加热器，以免造成严重损坏。

▶6.1.启动加热器

▶6.1.1.按照所有相关安全说明中的要求进行操作。

▶6.1.2.检查燃料箱中的燃料量。

▶6.1.3.关闭燃料箱的盖

▶6.1.4.将电源插头连接到电源或充电的电池（参见“技术数据表”中的压力）（图10-11）。

▶6.1.5.将切换开关“ON/ OFF”转到“ON”（|）开启位置。（A图3）。然后应该在几秒钟内打开加热器。如果加热器没有启动，请参阅故障排除部分（段落10）。

特别注意：如果由于燃料耗尽而导致加热器停止运行，请关闭加热器，取下油箱并重新释放（请参阅段落5.1.）。

▶6.2.关闭加热器：

注意：在至加热器完全冷却之前，请勿移除电源或断开电源线或将电池取出（约5分钟）。

▶6.2.1.将切换开关“ON/ OFF”转到“OFF”（0）断开位置。（A图3）。

▶6.3.连接室内温控器（选项）：

注意：环境温控器（可选）仅在电源线由电源供电时才能使用。

注意：当加热器由室温恒温器（可选）操作时，关闭和重新启动均是自动的。

卸下连接到加热器的插头并连接环境恒温器（可选）（C图。3）。

▶▶7. 清洁燃油过滤器

参见图示4.

根据使用的燃料的质量，可能需要清洁过滤装置：

- ▶7.1. 取下油箱盖 (A图4)。
- ▶7.2. 从燃料箱取出过滤装置。
- ▶7.3. 拧松螺母 (B图4)。
- ▶7.4. 卸下过滤器 (C图4)。
- ▶7.5. 用干净的燃料清洁过滤装置，注意不要将其损坏。
- ▶7.6. 重新将过滤装置安装到燃料箱上。

▶▶8. 保管和运输

为了更好的保管和运输加热器，建议按以下程序进行操作：

- ▶8.1. 清空油箱。
- ▶8.2. 如果发现有残留物，在燃料箱中倒入干净的燃料并再次清空。
- ▶8.3. 关闭油箱盖，并按照现行规定妥善处理燃油。
- ▶8.4. 为了保持更好的加热器，建议保持在水平位置，以防止燃料释放，并保证储存的地方是干燥状态，这样可防止产品的外部受损。

▶▶9. 错误显示

见B图3

错误	原因	解决方法
操作错误		
F0	1. 接通电源时，“ON/OFF”开关处于“ON” (I)位置	1. 断开设备后，确保开关处于“OFF” (O) 位置，接通电源，再将开关拨至“ON” (I)位置
光电器错误		
F1	1. 没有燃油 2. 燃油被污染 3. 光电器太脏或损坏 4. 吸油过滤器太脏 5. 点火错误	1. 将开关拨至“OFF” (O)，添加燃油 2. 将开关拨至“OFF” (O)，清空油箱后添加燃油. 用干净的燃油清洗过滤器，注意不要损坏过滤器 (见6节) 3. 联系技术服务中心 4. 见6节 5. 联系技术服务中心
温控传感器错误		
F2	1. 电缆断裂 2. 传感器损坏	1. 联系技术服务中心 2. 联系技术服务中心
温控器错误		
F3	1. 设备内部过热 2. 抗震动传感器	1. 关闭设备，等待至其冷却 2. 将火炉放置在平坦，稳定的平面上
电压不合适		
F4	1. 电压不合适	1. 检查供电系统电压
三次尝试启动失败		
FF	1. 缺少燃料 2. 燃油过滤器脏 3. 光定感应器脏或故障 4. 喷嘴脏或故障 5. 防倾翻传感器干预	1. 联系技术服务中心 2. 联系技术服务中心 3. 联系技术服务中心 4. 联系技术服务中心 5. 联系技术服务中心
低电量		
PF	1. 低电量	1. 电池充电
加热器待机		
[]	1. 连接恒温器 2. 从电源切换到电池	1. 恒温器的温度设定在室温下 2. 自动重启

►►10. 预防性保养计划

警告：在进行任何维修和保养前，请断开电源并确保设备已冷却。

如果加热器在多尘的环境中使用，则需要频繁的清洁和维护。


部件	保养频率	保养方法
油箱	每隔150-200工作时间或需要时进行清洗	清空后用干净燃油冲洗
喷嘴	每节或需要时清洗或更换两次	联系技术服务中心
光电器	每季或需要时清洗一次	联系技术服务中心
吸油过滤器	每节或需要时清洗或更换两次	联系技术服务中心
点火装置	每1.000小时工作时间或需要时清洗或更换	联系技术服务中心
风叶	需要时清洗	联系技术服务中心


►►11. 问题识别


问题	可能的原因	解决方法
设备无法运行	<ol style="list-style-type: none"> 1. 设备障碍 2. 开关处于“OFF”(0) 位置 3. 没有电源 4. 供电电缆未连接 5. 控制板障碍 6. 错误的温控器设定 7. 温度传感器失效 8. 保险丝损坏 	<ol style="list-style-type: none"> 1. 重启设备 2. 将开关拨至“ON” (I)位置 3A. 接通电源 3B. 检查供电网络 3C. 联系技术服务中心 3D. 低电量 4. 联系技术服务中心 5A. 重启设备 5B. 鉴定错误显示 5C. 联系技术服务中心 6. 校准温控器，设定温控器的温度高于环境温度 7A. 等待至少10分钟再点火 7B. 联系技术服务中心 8. 联系技术服务中心
电机/泵运行，但没有火焰产生	<ol style="list-style-type: none"> 1. 没有燃油 2. 点火装置太脏 3. 吸油过滤器太脏 4. 喷嘴太脏 5. 光电器太脏、损坏或安装错误 6. 油箱内有异物 7. 点火针损坏或距离放置不当 	<ol style="list-style-type: none"> 1. 关闭设备，添加燃油后重启 2. 联系技术服务中心 3. 用干净的燃油清洗过滤器 4. 联系技术服务中心 5. 联系技术服务中心 6. 清空油箱，添加干净的燃油 7. 联系技术服务中心
风机障碍或旋转过慢	<ol style="list-style-type: none"> 1. 发动机损坏 	<ol style="list-style-type: none"> 1. 联系技术服务中心

МАҢЫЗДЫ: ҚҰРАЛДЫ ЖӨНДЕУ, ҚОСУ, НЕМЕСЕ ҚЫЗМЕТ КӨРСЕТУ ЖҰМЫСТАРЫН ЖҮРГІЗУ АЛДЫНДА ОСЫ ЖЕТЕКШІЛІКТІ МҰҚИАТ ОҚЫП АЛУ КЕРЕК. ДҰРЫС ПАЙДАЛАНБАУ АУЫР ДЕНЕ ЖАРАҚАТТАРЫНЫҢ СЕБЕПШІСІ БОЛУЫ МҮМКІН. ОСЫ ЖЕТЕКШІЛІКТІ БОЛАШАҚТА ПАЙДАЛАНУ МАҚСАТЫМЕН САҚТАУ КЕРЕК.

►► 1. ЖАЛПЫ АҚПАРАТ ҚАУІПСІЗДІК (САҚТЫҚ ШАРАЛАР)

 **МАҢЫЗДЫ:** Осы ауа жылытқыш мобильді және уақытша кәсіби қолдану үшін әзірленген. Ол үйде қолдану немесе адамның жылу жайлылығы үшін арналмаған.

 **НАЗАР АУДАРЫҢЫЗ:** Бұл құрылғы дене мүмкіншіліктері, сенсорлық немесе ойлау қабілеті шектеулі, тәжірибесіз адамдар (балалармен қоса) қолданысына арналмаған, себебі олардың әрекеттері қауіпсіздігіне жауапты адамдармен бақылануы керек. Балалардың жылытқышпен ойнауына тыйым салынады.

 **ҚАУІПТІ:** Көміртек оксидінен асфикциялану өлімге дейін әкелуі мүмкін.

Көміртек оксидінен асфикцияланудың алғашқы белгілері тұмау, бас ауруы, бас айналу және/немесе лоқсу белгілеріне ұқсас. Бұндай белгілер жылытқыштың дұрыс емес жұмысынан болуы мүмкін. БҰНДАЙ ЖАҒДАЙДА АГРЕГАТТЫ БІРДЕН ӨШІРІП, оны қызмет орталығына жөндеуге жіберіңіз.

1.1. ТОЛТЫРУ:

- 1.1.1. Құюға жауапты қызметкерлер білікті әрі өндіруші нұсқауларымен және жылытқышты толтыру қауіпсіздігі ережелерімен таныс болуы керек.
- 1.1.2. Тек жылытқыштың төлқұжатында көрсетілген отын түрін пайдаланыңыз.
- 1.1.3. Жылытқышты толтыру алдында өшіріп, сууын күтіңіз.
- 1.1.4. Отын сақтау резервуарлары бөлек ғимаратта болуы керек.
- 1.1.5. Отын сақтауға арналған барлық бактер қолданбалы нормаларға сәйкес жылытқыштан минималды қашықтықта болуы керек.
- 1.1.6. Отынды беткі едені төменгі отқа өтуін және лап өтуін болдырмайтын ғимаратта сақталуы керек.
- 1.1.7. Отынды сақтау қолданбалы заңнамаға сәйкес орындалады.

1.2. ҚАУІПСІЗДІК ТЕХНИКАСЫ:

- 1.2.1. Жылытқышты бензин, бояу еріткіштер немесе басқа тез лап ететін заттар сақталатын ғимараттарда пайдалануға тыйым салынады.
- 1.2.2. Жылытқышты пайдалану кезінде барлық жергілікті жағдайларды және қолданбалы заңнаманы сақтау керек.
- 1.2.3. Брезент тенттерге, палаткаларға немесе басқа ұқсас жабын материалдарына жақын пайдаланылатын жылытқыштар қауіпсіз қашықтықта орналасуы керек. Сонымен қатар, өрттен қауіпсіз материалдарды пайдалану ұсынылады.
- 1.2.4. Тек жақсы желдетілетін жайларда пайдалану керек. Тиісті кіріс желдету саңылауын қолданбалы стандарттарға сәйкес дайындаңыз.
- 1.2.5. Жылытқышты төлқұжатында көрсетілген кернеу мен жиілігі бар ток көзіне қосыңыз.
- 1.2.6. Массаға дұрыс жалғанған үш тарамды ұзартқыш кабельдерді ғана пайдаланыңыз.
- 1.2.7. Жылытқыштар мен жанғыш заттар арасындағы ұсынылатын, минималды қауіпсіздік қашықтығы: алдыңғы шығыс = 2,5 м (8 фут); бүйір, жоғарғы және артқы жағынан = 1,5 м (5 фут).

- 1.2.8. Лап өтуін болдырмас үшін, жанғыш және істейтін жылытқышты берік және тегіс бетке қойыңыз.
- 1.2.9. Жануарларды жылытқыштан қауіпсіз қашықтықта ұстаңыз.
- 1.2.10. Пайдаланылмаған кезде аккумулятор немесе жылытқыш қуатын өшіріңіз.
- 1.2.11. Егер жылытқыш термостатпен басқарылса, онда кез келген мезетте қосылуы мүмкін.
- 1.2.12. Жылытқышты жатын бөлмесі сияқты үнемі адамдар болатын ғимараттарда пайдалануға тыйым салынады.
- 1.2.13. Жылытқыш ыстық болғанда, электр желісіне және аккумулятор қуатына жалғанғанда немесе жұмыс істегенде, техникалық қызмет көрсету жүргізуге, жылжытуға, реттеуге немесе толтыруға тыйым салынады.
- 1.2.14. Жанғыш немесе термолабильді материалдардың (қуат кабелімен қоса) жылытқыштың жанғыш бөлшектерінен дұрыс қашықтығын сақтаңыз.
- 1.2.15. Қуат немесе аккумулятор кабелі зақымдалған жағдайда оларды қызмет көрсету орталығында ауыстыру керек, себебі бұл кез келген қауіпті болдырмауға (және зақымдалған материалды қолданбалы заңнамаға сәйкес жоюға) мүмкіндік береді.
- 1.2.16. Қуат сымын және/немесе аккумулятор салымын қосу алдында кез келген қауіпті болдырмас үшін, жылытқыштың өшірілгенін тексеру керек.
- 1.2.17. Тек агрегатқа арнайы қарастырылған, түпнұсқалы, қайта зарядталатын аккумуляторларды пайдалану керек. Өндірушімен көрсетілген аккумуляторлық батареяларды пайдалану агрегат зақымдалуына немесе адамдар өміріне қауіп төндіруге, жарақат, күйік, жарылыс, электр тогының соғу немесе улану жағдайларына әкелуі мүмкін.
- 1.2.18. Аккумуляторлар мен тұйықталуына себеп болуы мүмкін кішкентай металл нысандар арасында қауіпсіз қашықтық сақтаңыз (бекітулер, тиындар, кілттер, шегелер, бұрандалар және т.б.) Аккумулятор контактілері арасындағы қысқа тұйықталу адамдар өмірлеріне қауіп төндіруге, жарақат, күйік, жарылыс және т.б. жағдайларға әкелуі мүмкін.
- 1.2.19. Аккумуляторды дұрыс пайдаланбау ішінен электролиттің кемуіне себеп болуы мүмкін. Теріге электролиттің түсуі қауіпті. Кездейсоқ түскен жағдайда сумен жақсылап шайыңыз. Егер сұйықтық көзге тисе, бірден дәрігерге қаралыңыз. Аккумуляторлық батареядан шығатын сұйықтық теріні тітіркендіруі немесе күйік жағдайына әкелуі мүмкін.
- 1.2.20. Батареяны дұрыс пайдаланбау аккумулятордан будың шығуына әкелуі мүмкін. Бұл бұмен дем алмаңыз. Таза ауа кіргізіңіз немесе кездейсоқ дем алып қойған жағдайда бірден дәрігерге қаралыңыз. Буы тыныс алу жолдарының тітіркенуіне себеп болуы мүмкін.
- 1.2.21. Елеулі қауіпті болдырмас үшін, аккумуляторды ашуға/бөлшектеуге болмайды.
- 1.2.22. Елеулі қауіпті болдырмас үшін, аккумуляторды жоғары температура көрсеткіштерінен (мысалы, күн сәулесінің, өрттің, судың, ылғалдың және т.б. тұрақты әсерінен) қорғаңыз.
- 1.2.23. Қауіпті артық жүктемені болдырмас үшін, тек осы жылытқышқа көрсетілген аккумуляторды ғана пайдаланыңыз.
- 1.2.24. Жылытқыштың техникалық деректерінде көрсетілген кернеу және ток параметрлеріне ие, түпнұсқалы, қайта зарядталатын аккумуляторларды ғана пайдаланыңыз. Басқа аккумуляторды пайдаланған жағдайда (мысалы, жалған, жөндеуден кейін, түпнұсқалы

емес және т.б.) жарақаттану және/немесе жарылыс қаупі бар.

- ▶ 1.2.25. Аккумуляторды тек түпнұсқалы зарядтау құрылғысымен зарядтаңыз. Өрт және жарылыс қаупін болдырмас үшін, әрбір аккумуляторға жеке зарядтау құрылғысы талап етіледі.
- ▶ 1.2.26. Тек осы нұсқаулықта көрсетілген қуат режимін пайдалану. Елеулі зақымдарды болдырмас үшін, істеп тұрған жылытқыштың қуат режимін ауыстыруға тыйым салынады.
- ▶ 1.2.27. Жылытқыш термостатпен басқарылғанда немесе электр қуатын желі кабелінен аккумуляторға ауыстырған кезде, жылытқышты өшіруге және stand-by (дисплейде “[]” хабары көрсетіледі) режиміне ауыстыруға болады, бұл орайда барынша мұқият болу керек, себебі жылытқыш кез келген уақытта автоматты түрде қосылып, мүлікке және адамдарға айтарлықтай нұқсан келтіруі мүмкін.

▶▶ 2. БУМАСЫНАН ШЫҒАРУ

Сур.қар. 1

- ▶ 2.1. Жылытқышты орауға және жеткізуге пайдаланылатын барлық бума материалдарын жойыңыз және қолданбалы нормаларға сәйкес қоқысқа тастаңыз.
- ▶ 2.2. Барлық бөлшектерінен қораптан шығарыңыз.
- ▶ 2.3. Тасымал кезінде алынған зақымдарды тексеріңіз. Егер жылытқыш зақымдалса, бұл жағдайды алынған дилерге бірден хабарлаңыз.

▶▶ 3. ҚҰРАЛ СИПАТТАМАСЫ

▶ 3.1. ҚҰАТ КАБЕЛІ (бар болғанда):
ЗАРЯДТАУ ҮШІН ҚҰАТ КАБЕЛІ ПАЙДАЛАНЫЛМАЙДЫ.
(Сур. 5) жылытқыш қуат кабелі көмегімен электр желісіне қосылған кезде істеуі мүмкін. Елеулі зақымдарды болдырмас үшін, кабель күйін жүйелі тексеріңіз. Осы нұсқаулықта келтірілген қуат кабелі нұсқауларын сақтаңыз.

▶ 3.2. АККУМУЛЯТОР (бар болғанда):

(Сур. 6)

ЕСКЕРТПЕ: АККУМУЛЯТОР ҚҰАТЫНА (В Асар) БАЙЛАНЫСТЫ ДҰРЫС ҚҰАТТЫ, ТҮПНҰСҚАЛЫ ЗАРЯДТАУ ҚҰРЫЛҒЫСЫН ПАЙДАЛАНУ КЕРЕК.

Жылытқыш электр желісіне жалғаусыз түпнұсқалы литий-ионды аккумуляторымен автономды режимде істеуі мүмкін. Аккумулятор жартылай зарядталған күйде жеткізіледі, сол себепті оны пайдалану алдында аккумуляторды толық зарядтау циклін орындау ұсынылады. Жылытқышты қуаттауға тек түпнұсқалы аккумуляторларды пайдаланыңыз. Осы нұсқаулықта келтірілген аккумуляторға қатысты барлық сақтық шараларын сақтаңыз.

▶ 3.3. ЗАРЯДТАУ ҚҰРЫЛҒЫСЫ (бар болғанда):

(Сур. 7) Зарядтау құрылғысы түпнұсқалы литий-ионды батареяларды зарядтауға арналған. Зарядтау құрылғысының жұмыс параметрлерін қатаң түрде сақтау керек (зарядтау құрылғысындағы деректер кестесін қараңыз). Зарядтау құрылғысын толығымен құрғақ және шаңнан қорғалған орындарды сақтаңыз, тек түпнұсқалы, осы жылытқыш қуатына арналған аккумуляторларды зарядтаңыз. Зарядтау құрылғысы аккумулятор жалғанған кезде тиісті зарядтау циклін автоматты басқаруға арналған (Сур. 8). Зарядтау құрылғысының жарық индикаторы зарядтау процедурасын мұқият бақылауға мүмкіндік береді (Сур. 9). Зарядтау құрылғысының осы нұсқаулықта келтірілген барлық нұсқауларын орындаңыз.

▶▶ 4. ОТЫН

ЕСКЕРТПЕ: Жылытқыш тек ДИЗЕЛЬ ОТЫНЫМЕН немесе КЕРОСИНМЕН жұмыс істейді.

Өрт немесе жарылыс қаупін болдырмас үшін, тек дизель отынын немесе керосинді пайдаланыңыз. Бензин, керосин, бояу еріткіштер, спирт немесе басқа тез лап ететін заттар пайдалануға тыйым салынады.

Өте төмен температура көрсеткіштерінде улы емес, қатпайтын қоспалар пайдалануға рұқсат беріледі.

▶▶ 5. ЖҰМЫС РЕЖИМДЕРІ

Сур.қар. 2

Дұрыс жағуға қажетті ауа кірістірілген желдеткіш айналған кезде жанарғыға түседі. Ауа ағыны жанарғы түтігінен шығып, отынмен араласып, одан кейін аэрозоль түрінде жоғары қысымды форсункалардан шығарылады. Форсункалардан шығатын отын бактен отынды сорып, жоғары қысым кезінде форсункаға беретін электр сорабына беріледі.

▶▶ 6. ҚЫЗМЕТІ

ЕСКЕРТПЕ: Жылытқышты қосу алдында “ҚАУІПСІЗДІК ТЕХНИКАСЫ БОЙЫНША АҚПАРАТТЫ” МҰҚИАТ ОҚЫП ШЫҒЫҢЫЗ.

НАЗАР АУДАРЫҢЫЗ: Егер жылытқыш қосылмаса, бакте отынның бар-жоғын бірден тексеріп отын сүзгісі таза, жылытқыш тегіс және берік бетке орнатылғанын тексеріңіз.

НАЗАР АУДАРЫҢЫЗ: Бұл құрылғы инфрақызыл жылытқыш болып есептеледі. Ол ауаны емес, нысандарды жылытады.

НАЗАР АУДАРЫҢЫЗ: Қуат түрін аккумулятордан желілікке және керісінше ауыстыру және елеулі жарақаттарды болдырмас үшін, жылытқышты барлық қажетті процедураларды ұстанумен өшіріңіз.

▶ 6.1. ЖЫЛЫТҚЫШТЫ ІСКЕ ҚОСУ:

▶ 6.1.1. Барлық қауіпсіздік техникасы нұсқауларын орындаңыз.

▶ 6.1.2. Бакте отынның бар-жоғын тексеріңіз.

▶ 6.1.3. Отын багінің қақпағын жабыңыз.

▶ 6.1.4. Қуат тығынын электр желісіне немесе аккумуляторға қосыңыз (КЕРНЕУДІ “ТЕХНИКАЛЫҚ ДЕРЕКТЕР КЕСТЕСІНЕН” ҚАРАҢЫЗ) (Сур. 10-11).

▶ 6.1.5. “ON/OFF” қосқышын “ON” (I) күйіне орнатыңыз (А Сур. 3). Жылытқыш бірнеше секунд ішінде қосылуы керек. Егер жылытқыш іске қосылмаса, мәселелерді анықтау бөлімін қараңыз (Параг. 10).

ЕСКЕРТПЕ: ОТЫН ШЫҒАРУҒА БАЙЛАНЫСТЫ ЖЫЛЫТҚЫШТЫ ӨШІРГЕН ЖАҒДАЙДА ЖЫЛЫТҚЫШТЫ ӨШІРІП, БАКТІ ТОЛТЫРЫП, ҚАЙТА ҚОСЫҢЫЗ (ҚАР. ПАРАГ. 5.1.).

► 6.2. ЖЫЛЫТҚЫШТЫ ӨШІРУ:

НАЗАР АУДАРЫҢЫЗ: ЖЫЛЫТҚЫШТЫ ТОЛЫҒЫМЕН СУЫТУҮШІН (шамамен 5 мин.) ҚУАТТЫ ӨШІРМЕҢІЗ, ҚУАТ КАБЕЛІН АЖЫРАТПАҢЫЗ ЖӘНЕ АККУМУЛЯТОРДЫ ШЫҒАРМАҢЫЗ.

► 6.2.1. "ON/OFF" қосқышын "OFF (ӨШІРУЛІ)" (0) күйіне орнатыңыз (Сур. 3).

► 6.3. БӨЛМЕ ТЕРМОСТАТЫН ЖАЛҒАУ (қосымша):

НАЗАР АУДАРЫҢЫЗ: БӨЛМЕ ТЕРМОСТАТЫ (ҚОСЫМША) ТЕК ЖЫЛЫТҚЫШ ҚУАТ КАБЕЛІНЕ ЖАЛҒАНҒАН КЕЗДЕ ІСТЕЙДІ.

НАЗАР АУДАРЫҢЫЗ: ЖЫЛЫТҚЫШ БӨЛМЕ ТЕРМОСТАТЫН (ҚОСЫМША) БАСҚАРЫЛҒАН КЕЗДЕ ЖЫЛЫТҚЫШТЫ ҚОСУ ЖӘНЕ ҚАЙТА ҚОСУ АВТОМАТТЫ ТҮРДЕ ОРЫНДАЛАДЫ.

Жылытқыш қақпағын шешіп, бөлме термостатын (қосымша) жалғаңыз (С Сур. 3).

►► 7. ОТЫН СҮЗГІСІН ТАЗАЛАУ

Сур. қар. 4

ҚОЛДАНЫЛАТЫН ОТЫН САПАСЫНА БАЙЛАНЫСТЫ СҮЗГІНІ ТАЗАЛАУ КЕРЕК БОЛАДЫ.

- 7.1. Сыйымдылықта орналасқан қақпақты шешіңіз (А Сур. 4).
- 7.2. Бактен сүзгіні шығару.
- 7.3. Гайканы босатыңыз (В Сур. 4).
- 7.4. Сүзгіні шығарыңыз (С Сур. 4).
- 7.5. Сүзгіні зақым келтірмей, таза отынмен тазалаңыз.
- 7.6. Бакке сүзгі орнатыңыз.

►► 8. САҚТАУ ЖӘНЕ ТАСЫМАЛДАУ

ЖЫЛЫТҚЫШТЫ САҚТАУ НЕМЕСЕ ТАСЫМАЛДАУ ҮШІН, КЕЛЕСІ ПРОЦЕДУРАНЫ ОРЫНДАУ ҰСЫНЫЛАДЫ:

- 8.1. Отын багін төгіңіз.
- 8.2. Шөгінді болған жағдайда бакке таза отынды құйып, қайта төгіңіз.
- 8.3. Сыйымдылық қақпағын жауып, отынды тиісті ережелерге сәйкес жойыңыз.
- 8.4. Жылытқышты сақтау үшін, отын кемуін болдырмау мақсатында тік күйде сақтау және сыртқы зақымдардан қорғалған, құрғақ орында сақтау ұсынылады.

►► 9. ДИСПЛЕЙ ҚАТЕЛІКТЕРІ

Сур. В қар. 3

ҚАТЕЛІК	СЕБЕБІ	ШЕШУІ
ОПЕРАЦИЯЛЫҚ ҚАТЕЛІК		
F0	1. генератор электр желісіне қосұлы тұрғанда "ON/OFF" ажыратқышы "ON" (I) қалпында орнатылған	1. Генераторды электр желісінен ажыратқан соң ажыратқышты "OFF" (0) позициясына орнату керек, штепсельді қайта электр желісіне қосып ажыратқышты "ON" (I) позициясына орнатыңыз
ФОТОЭЛЕМЕНТ ҚАТЕЛІГІ		
F1	1. Жанармайдың болмауы 2. Ластанған жанармай 3. Фотоэлемент ластанған немесе бұзылған 4. Жанармай фильтрі ластанған 5. Жану қателігі	1. Ажыратқышты "OFF" (0) позициясына орнатып бакты жанармаймен толтыру 2. Ажыратқышты "OFF" (0) позициясына орнатып, төгіп тастау, содан кейін жанармаймен толтыру керек (ПАР. 6 ҚАРАҢЫЗ) 3. Қызмет көрсету орталығына жүгіну 4. (ПАР. 6 ҚАРАҢЫЗ) 5. Қызмет көрсету орталығына жүгіну
ТЕМПЕРАТУРАНЫ БАҚЫЛАУ ДАТЧИГІНІҢ ҚАТЕЛІГІ		
F2	1. Терминал өшірулі 2. Датчик бұзылған	1. Қызмет көрсету орталығына жүгіну 2. Қызмет көрсету орталығына жүгіну
ТЕРМОСТАТ ҚАТЕЛІГІ		
F3	1. Ішкі қыздырғыш қызып 2. Қарсы иілу датчигі араласты	1. Суығанға дейін күтіңіз, жылытқышты өшіріңіз 2. Деңгейі мен тұрақты бетке жылытқыштар қойыңыз
ДҰРЫС КЕРНЕУ		
F4	1. Ішкі қыздырғыш қызып	1. Егер электр жабдықтау жүйесін кернеу тексеріңіз
ҮШ ТАЛПЫНЫСТАН КЕЙІН ОТАЛДЫРЫЛМАУЫ		
FF	1. Жанармайдың болмауы 2. Жанармай фильтрі ластанған 3. Фотоэлемент ластанған немесе бұзылған 4. Форсунка ластанған немесе бұзылған 5. Каналға қарсы датчиктің іске қосылуы	1. Қызмет көрсету орталығына жүгіну 2. Қызмет көрсету орталығына жүгіну 3. Қызмет көрсету орталығына жүгіну 4. Қызмет көрсету орталығына жүгіну 5. Қызмет көрсету орталығына жүгіну
АККУМУЛЯТОР РАЗРЯДТАЛҒАН		
PF	1. Аккумулятор разрядталған	1. Аккумуляторды зарядтаңыз
ЖЫЛЫТҚЫШ STAND-BY РЕЖИМІНДЕ ОРНАЛАСҚАН		
[]	1. Термостат қосылған 2. Желі қуатын кабельден аккумулятор қуатына ауыстыру	1. Термостат температурасы қоршаған орта температурасынан төмен орнатылған 2. Автоматты қайта іске қосу

►► 10. ПРОФИЛАКТИКА СҮЛБЕСІ

НАЗАР АУДАРЫҢЫЗ: КЕЗ-КЕЛГЕН ТЕХНИКАЛЫҚ ҚЫЗМЕТ КӨРСЕТУ ТҮРІ НЕМЕСЕ ЖӨНДЕУ ЖҰМЫСТАРЫН ЖАСАУ АЛДЫНДА ЭЛЕКТР ЖҮЙЕСІНЕН ЖҮЙЕ СЫМЫН АЖЫРАТЫН, ГЕНЕРАТОРДЫҢ СУЫҒАНДЫҒЫНА КӨЗ ЖЕТКІЗІҢІЗ.

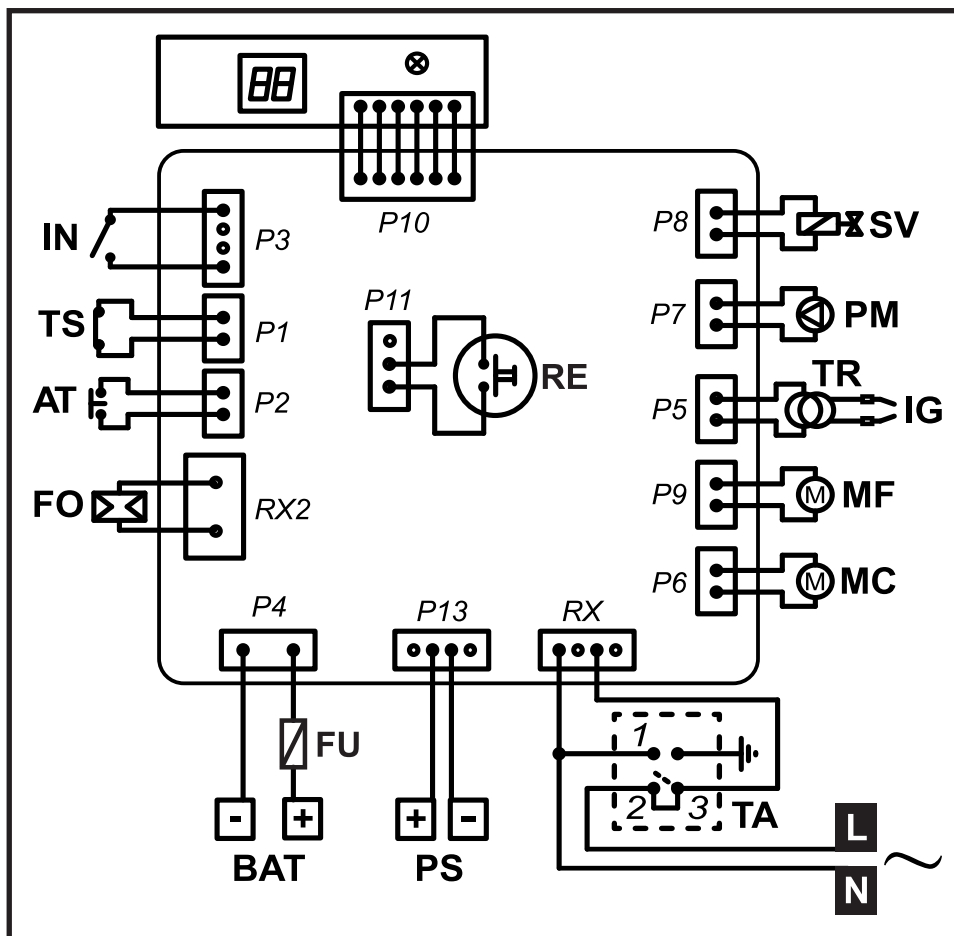
ЯКЩО НАГРІВАЧ ВИКОРИСТОВУЄТЬСЯ В ОСОБЛИВО ЗАПИЛЕНИХ СЕРЕДОВИЩАХ, НЕОБХІДНІ ЧАСТІШІ ОБСЛУГОВУВАННЯ ТА ОЧИЩЕННЯ.

ЭЛЕМЕНТ	ПРОФИЛАКТИКА ЖИІЛІГІ	ПРОФИЛАКТИКА ПРОЦЕДУРАСЫ
Жанармайға арналған бак	Бактарды төгіп, оларға таза жанармайды әрбір 150-200 жұмысшы сағаттан соң құйып тұру	Бакты төгіп оны таза жанармаймен толтыру
Сопло	Жұмыс бір кезеңінде бір рет немесе қажеттілігінше ауыстыру немесе тазалау	Қызмет көрсету орталығына жүгіну
Фотоэлемент	Жұмыс бір кезеңінде бір рет немесе қажеттілігінше ауыстыру немесе тазалау	Қызмет көрсету орталығына жүгіну
Топливный фильтр	Жұмыс бір кезеңінде екі рет немесе қажеттілігінше ауыстыру немесе тазалау	Жанармай фильтрін таза жанармай пайдаланып тазалау
Жандыру құралы	1.000 сағат жұмыс істеген сайын немесе қажеттілігінше тазалау немесе ауыстыру	Қызмет көрсету орталығына жүгіну
Ротордың қалақтары	Қажеттілігінше тазалау	Қызмет көрсету орталығына жүгіну

►► 11. ПРОБЛЕМАНЫ ИДЕНТИФИКАЦИЯЛАУ

ПРОБЛЕМА	МҮМКІН СЕБЕП	МҮМКІН ШЕШІМ
Генератор қосылмайды	<ol style="list-style-type: none"> 1. Генератор блокталған 2. Ажыратқыш “OFF” (0) позициясында 3. Кернеудің болмауы 4. Нәр беру кабелі ажыратылған 5. Басқару картасы блокталған 6. Бөлме термостатының қате орнатылуы 7. Температура датчигының араласуы 8. Сақтандырғыш ақауланған 	<ol style="list-style-type: none"> 1. Генераторды өшіріп қайта қосу 2. Ажыратқышты “ON” (I) позициясына орнату 3А. Электрлі розеткаға нәр беретін сымды дұрыстап жалғау 3В. Жүйе сымдарын тексеру 3С. Қызмет көрсету орталығына жүгіну 3D. Аккумулятор разрядталған 4. ТҚызмет көрсету орталығына жүгіну 5А. Генераторды өшіріп қайта қосу 5В. Дисплейдегі қателікті анықтау 5С. Қызмет көрсету орталығына жүгіну 6. Бөлме термостатын реттеу, жұмыс ортасының температурасынан жоғары температура орнатып 7А. Кем дегенде 10 минут күтіп, артынша қайтадан қосу фазасына ауысу 7В. Қызмет көрсету орталығына жүгіну 8. Қызмет көрсету орталығына жүгіну
Қозғалтқыш/ сорғы қосылады, бірақ от жоқ	<ol style="list-style-type: none"> 1. Жанармайдың болмауы 2. Қосу құралы ластанған 3. Жанармай фильтрі ластанған 4. Сопло ластанған 5. Фотоэлемент ластанған, ақауланған немесе дұрыс орнатылмаған 6. Бакта бөтен заттың болуы 7. Электродтар қажалған немесе дұрыс емес ара-қашықтықта орнатылған 	<ol style="list-style-type: none"> 1. Генераторды өшіріп, бакқа жанармай толтырып, генераторды қайта қосу 2. Қызмет көрсету орталығына жүгіну 3. Таза жанармай пайдаланып фильтрді тазалау 4. Қызмет көрсету орталығына жүгіну 5. Қызмет көрсету орталығына жүгіну 6. Резервуарды төгіп тастап, қайта таза жанармаймен толтыру 7. Қызмет көрсету орталығына жүгіну
Ротор блокталған немесе тым баяу айналады	<ol style="list-style-type: none"> 1. Қозғалтқыш бұзылған 	<ol style="list-style-type: none"> 1. Қызмет көрсету орталығына жүгіну

WIRING DIAGRAMS - SCHEMI ELETTRICI - SCHALTPLÄNE - ESQUEMAS ELÉCTRICOS - SCHEMAS ELECTRIQUES - ELEKTRISCHE SCHEMA'S - ESQUEMA ELÉTRICO - ELEKTRISKE SKEMAER - SÄHKÖKAAVIOT - KOPLINGSSKJEMA - ELEKTRISKA KOPPLINGSSCHEMAN - SCHEMATY ELEKTRYCZNE - ЭЛЕКТРИЧЕСКИЕ СХЕМЫ - ELEKTRICKÁ SCHÉMATA - VILLANYBEKÖTÉSI RAJZOK - ELEKTRİK ŞEMALARI - ELEKTRİK ŞEMASI - ELEKTRIČNE SHEME - ELEKTROS SCHEMOS - ELEKTRISKĀS SHĒMAS - ELEKTRISKE-EMID - SCHEME ELECTRICHE - ELEKTRICKÉ SCHÉMY - ЭЛЕКТРИЧЕСКИ СХЕМИ - ЕЛЕКТРОСХЕМА - ELEKTRIČNA ŠEMA - ΗΛΕΚΤΡΙΚΟ ΣΧΗΜΑ - 线路图 - ЭЛЕКТРЛІ СУЛБЕЛЕР



FO	Photoresistance
AT	Antitilting switch
TS	Safety thermostat
IN	Switch
FU	Fuse
TA	Room thermostat
SV	Solenoid valve
IG	Igniter
TR	Transformer
PS	Power Supply
MF	Motor cooling
MC	Motor combustion
PM	Pump
RE	Reset
BAT	Battery

CE CONFORMITY CERTIFICATE



CE CONFORMITY CERTIFICATE - DICHIARAZIONE DI CONFORMITÀ CE - EG-KONFORMITÄTSESKLÄRUNG - DECLARACIÓN DE CONFORMIDAD CE - DECLARATION DE CONFORMITE CE - EG-CONFORMITEITVERKLARING - DECLARAÇÃO DE CONFORMIDADE CE - EU-OVERENSSTEMMELSESERKLÆRING - EY-VAATIMUSTENMUKAISUUSVAKUUTUS - CE-SAMSVARSERKLÆRING - EG-FÖRSÄKRAN OM ÖVERENSSTÄMMELSE - DEKLARACJA ZGODNOŚCI WE - ДЕКЛАРАЦИЯ О СООТВЕТСТВИИ CE - PROHLÁŠENÍ O SHODĚ CE - EK MEGFELELŐSÉGI NYILATKOZAT - IZJAVA O SKLADNOSTI IN OZNAKA CE - CE UYGUNLUK BEYANI - IZJAVA CE O SUKLADNOSTI - ES ATITIKTIES DEKLARACIJA - EK ATBILSTĪBAS - DEKLARĀCIJA - EÜ VASTAVUSDEKLARATSIOON - DECLARAȚIE DE CONFORMITATE CE - PREHLÁSENIE O ZHODE CE - ДЕКЛАРАЦИЯ ЗА СЪВМЕСТИМОСТ CE - ДЕКЛАРАЦІЯ ВІДПОВІДНОСТІ CE - IZJAVA CE O PRIKLADNOSTI ΔΗΛΩΣΗ ΣΥΜΜΟΡΦΩΣΗΣ CE - CE 符合性声明

DANTHERM S.p.A. Via Gardesana 11, -37010- Pastrengo (VR), ITALY

Product: - Prodotto: - Produkt: - Producto: - Produit: - Product: - Produto: - Produkt: - Tuote: - Produkt: - Produkt: - Produkt: - Изделие: - Výrobek: - Termék: - Izdelek: - Ürün: - Proizvod: - Gaminys: - Ierīce: - Toode: - Produsul: - Výrobok: - Продукт: - Виріб: - Proizvod: - Προϊόν: - 产品:

DC 61

We declare that it is compliant with: - Si dichiara che è conforme a: - Es wird als konform mit den folgenden Normen erklärt: - Se declara que está en conformidad con: - Nous déclarons sa conformité à: - Hierbij wordt verklaard dat het product conform is met: - Declara-se que está em conformidade com: - Vi erklærer at produktet er i overensstemmelse med: - Vakuutetaan olevan yhdenmukainen: - Man erklærer at apparatet er i overensstemmelse med: - Härmed intygas det att produkten är förenlig med följande: - Oświadczam, że jest zgodny z: - Заявляем о соответствии требованиям: - Prohlašuje se, že je v souladu s: - Kijelentjük, hogy a termék megfelel az alábbiaknak: - Izpolnjuje zahteve: - Aşağıdaki standartlara uygun olduğunu beyan ederiz: - Izjavljuje se da je u skladu s: - Pareiškiame, kad atitinka: - Tiek deklarēts, ka atbilst: - Käesolevaga deklareeritakse, et toode vastab: - Declarăm că este conform următoarelor: - Prehlasuje sa, že je v súlade s: - Декларира се че отговаря на: - Відповідає вимогам: - Izjavljuje se da je u skladu s: - Δηλώνουμε ότι είναι σύμφωνο με: - 兹证明符合:

2014/30/EU, 2014/35/EU

EN 62233:2008, EN 61000-3-2:2014, EN 61000-3-3:2013, EN 55014-1:2006/A2:2011, EN 55014-2:2015, EN 60335-1:2012/A11:2014, EN 60335-2-102:2016

Pastrengo, 2019

Stefano Verani (Member of the Board)

►en - DISPOSAL OF THE PRODUCT

-This product has been designed and manufactured with top-quality materials and components, which can be re-cycled and re-used.

-When a crossed-wheely bin symbol is attached to the product, it means that the product is protected by the, 2012/19/UE European Directive.

-Please obtain information regarding the local differentiated collection system for electrical and electronic products.

-Respect local Standards in force and do not dispose of old products as normal domestic waste. Correct disposal of the product helps to prevent possible negative consequences for health, the environment and mankind.

►it - SMALTIMENTO DEL PRODOTTO

-Questo prodotto è stato progettato e fabbricato con materiali e componenti di alta qualità, che possono essere riciclati e riutilizzati.

-Quando ad un prodotto è attaccato il simbolo del bidone con le ruote segnato da una croce, significa che il prodotto è tutelato dalla Direttiva Europea 2012/19/UE.

-Si prega di informarsi in merito al sistema locale di raccolta differenziata per i prodotti elettrici ed elettronici.

-Rispettare le norme locali in vigore e non smaltire i prodotti vecchi nei normali rifiuti domestici. Il corretto smaltimento del prodotto aiuta ad evitare possibili conseguenze negative per la salute dell'ambiente e dell'uomo.

►de - ENTSORGUNG DES PRODUKTS

-Dieses Produkt wurde unter Verwendung von Qualitätsmaterialien und -bauteilen entwickelt und hergestellt, die recycelt und wieder verwendet werden können.

-Ist ein Produkt gekennzeichnet durch die Mülltonne mit Rädern und einem Kreuz, wird hier angezeigt, dass dieses Produkt durch die europäische Richtlinie 2012/19/UE überwacht ist.

-Es wird gebeten, sich über die vor Ort bestehende Mülltrennung bezüglich elektrischer und elektronischer Produkte zu informieren.

-Die vor Ort geltenden Vorschriften zur Müllentsorgung müssen eingehalten werden und alte Produkte dürfen nicht zusammen mit dem Hausmüll entsorgt werden. Die ordnungsgemäße Entsorgung des Produkts hilft mögliche negative Folgen für Gesundheit und Umwelt zu vermeiden.

►es - ELIMINACIÓN DEL PRODUCTO

-Este producto ha sido diseñado y fabricado con materiales y componentes de alta calidad que se pueden reciclar y reutilizar.

-Cuando en el producto se encuentra el símbolo del contenedor con las ruedas tachado con una cruz, significa que el producto está tutelado por la Directiva europea 2012/19/UE.

-Se ruega informarse acerca del sistema local de recogida selectiva para los productos eléctricos y electrónicos.

-Respete las normas locales vigentes y no elimine los productos viejos junto con los residuos domésticos normales. La eliminación correcta del producto ayuda a evitar posibles consecuencias negativas para la salud del ambiente y del hombre.

►fr - SE DÉBARRASSER DE VOTRE PRODUIT USAGÉ

-Ce produit a été conçu et fabriqué avec des matériaux et des composants de haute qualité, qui peuvent être recyclés et utilisés de nouveau.

-Lorsque le symbole d'une poubelle à roue barrée est appliqué à un produit, cela signifie que le produit est couvert par la Directive Européenne 2012/19/UE.

-Veuillez vous informer du système local de séparation des déchets électriques et électroniques.

-Veuillez agir selon les règles locale set ne pas jeter vos produits usagés avec les déchets domestiques usuels. Jeter correctement votre produit usagé aidera à prévenir les conséquences négatives potentielles contre l'environnement et la santé humaine.

►nl - VERWIJDERING VAN HET PRODUCT

-Dit product werd ontworpen en gemaakt met hoogwaardige materialen en componenten, die gerecycleerd en herbruikt kunnen worden.

-Wanneer op een product het symbool van de afvalbak op wielen met een kruis erdoor is aangebracht, betekent dit dat het product valt onder de Europese Richtlijn 2012/19/UE.

-Gelieve inlichtingen in te winnen betreffende het plaatselijke systeem voor gedifferentieerde inzameling van elektrische en elektronische toestellen.

-Respecteer de plaatselijke normen die van kracht zijn, en verwijder de oude toestellen niet als gewoon huishoudelijk afval. Een correcte verwijdering van het product helpt om mogelijke negatieve gevolgen voor de gezondheid van mens en milieu te voorkomen.

►pt - ELIMINAÇÃO DO PRODUTO

-Este produto foi projetado e fabricado com materiais e componentes de alta qualidade que podem ser reciclados e reutilizados.

-Quando for afixado em um produto o símbolo do bidão com rodas marcado com uma cruz, significa que o produto é protegido pela Diretiva Europeia 2012/19/UE.

-Solicitamos informar-se sobre o sistema local de recolha diferenciada para os produtos elétricos e eletrônicos.

-Respeitar as normas locais em vigor e não eliminar os produtos antigos como normais detritos domésticos. A correta eliminação do produto ajuda a evitar possíveis consequências negativas para a saúde do ambiente e do homem.

►da - BORTSKAFFELSE

- Dette produkt er designet og fremstillet med materialer og dele af høj kvalitet, der kan genanvendes.
- Når et produkt er mærket med symbolet, der viser en affaldsspand på hjul med et kryds over, betyder det, at produktet er beskyttet af EF-Direktiv 2012/19/UE.
- Der henstilles til, at man informerer sig angående det lokale affaldssorteringssystem for elektriske og elektroniske produkter.
- De gældende lokale regler skal overholdes, og de gamle produkter må ikke bortskaffes sammen med husholdningsaffaldet. Ved at bortskaffe dette produkt korrekt, medvirker De til at forhindre eventuelle negative påvirkninger af miljøet og folkesundheden.

►fi - TUOTTEEN HÄVITTÄMINEN

- Tämä tuote on suunniteltu ja valmistettu korkealaatuisia materiaaleja ja osia käyttämällä, jotka voidaan kierrättää ja käyttää uudelleen.
- Kun tuotteeseen on kiinnitetty viivattu roskasäiliön merkki, se tarkoittaa, että tuotetta suojaa Euroopan yhteisön direktiivi 2012/19/UE.
- Hanki tietoja paikallisesta sähkö- ja elektroniikkaromujen erilliskeräyksestä.
- Noudata voimassa oleva määräyksiä äläkä hävitä vanhoja tuotteita kotitalousjätteiden mukana. Tuotteen oikea hävittäminen auttaa suojelemaan luontoa ja välttää väärän romutuksen aiheuttamien terveysriskien syntymistä.

►no - AVFALLSHÅNDTERING

- Dette produktet er utformet og produsert med materialer og deler av høy kvalitet, og som kan gjenvinnes.
- Når det på et produkt finnes et symbol som forestiller en avfallsbeholder med et kryss over, betyr dette at produktet er underlagt EU-direktiv 2012/19/UE.
- Vennligst informer dere angående de lokale reglene som gjelder kassering av elektrisk og elektronisk avfall.
- Ta hensyn til gjeldende regelverk og ikke kast gamle produkter sammen med husholdningsavfall. Riktig avfallshåndtering av produktet bidrar til å unngå potensielle negative konsekvenser for miljøet og menneskenes helse.

►sv - PRODUKTENS BORTSKAFFANDE

- Den här produkten har projekterats och tillverkats med material och komponenter av hög kvalitet som kan återvinnas och återanvändas.
- När ett klistermärke med en symbol med överkorsad soptunna med hjul sitter på produkten, betyder detta att produkten är skyddad av Eu-direktiv 2012/19/UE.
- Vi ber er inhämta upplysningar vid er lokala återvinningsstation för elektriska och elektroniska produkter.
- Följ lokala gällande bestämmelser och skaffa inte bort förbrukade produkter i det vanliga hushållsavfallet. Ett korrekt bortskaffande av produkten hjälper till att undvika möjliga negativa effekter på miljö- och människohälsa.

►pl - UTYLIZACJA PRODUKTU

- Niniejszy produkt został wyprodukowany z najwyższej jakości materiałów, które mogą być poddane recyklingowi i zostać ponownie użyte.
- Symbol przekreślonego kosza na śmieci umieszczony na sprzęcie, opakowaniu lub dokumentach do niego dołączonych oznacza, że produkt nie wolno wyrzucać łącznie z innymi odpadami. Obowiązkiem użytkownika jest przekazanie użytego sprzętu do wyznaczonego punktu zbiórki w celu właściwego jego przetworzenia. Oznakowanie oznacza jednocześnie, że sprzęt został wprowadzony do obrotu po dniu 13 sierpnia 2005 r.
- Należy zapoznać się z lokalnym systemem zbiórki produktów elektronicznych i elektrycznych.
- Informacje o dostępnym systemie zbierania użytego sprzętu elektrycznego można znaleźć w punkcie informacyjnym sklepu oraz w urzędzie miasta/gminy.
- Odpowiednie postępowanie ze użytym sprzętem zapobiega negatywnym konsekwencjom dla środowiska i ludzkiego zdrowia!

►cs - LIKVIDACE VÝROBKU

- Tento výrobek byl navržen a vyroben z vysoce kvalitních materiálů a komponentů, které lze recyklovat a znovu použít.
- Je-li na výrobku symbol přeškrtnutého kontejneru, znamená to, že na výrobek se vztahuje Evropská Směrnice 2012/19/UE.
- Informujte se o místním systému pro oddělený sběr elektrických a elektronických výrobků.
- Dodržujte místní předpisy a nelikvidujte staré produkty spolu s běžným komunálním odpadem. Správná likvidace výrobku pomůže předcházet možným negativním dopadům na životní prostředí a lidské zdraví.

►hu - HULLADÉKBA HELYEZÉS

- A termék kiváló minőségű újrahasznosítható és újból felhasználható alkotóelemek felhasználásával készült.
- Ha terméken elhelyezésre került az áthúzott hulladékgyűjtő ábrázoló jel, az azt jelenti, hogy a termékre a 2012/19/UE irányelv vonatkozik.
- Kérjük, tájékozódjon az elektromos és elektronikus hulladékok szelektív gyűjtéséről.
- Tartsa be a helyben hatályos előírásokat, és ne a terméket ne helyezze a háztartási hulladékgyűjtőbe. A megfelelő hulladékgyűjtéssel elkerülhető, hogy a hulladékok károsítsák a környezetet ill. az emberi egészséget.

►sl - ODLAGANJE IZDELKA

- Ta izdelek je bil zasnovan in izdelan iz materialov in komponent visoke kakovosti, ki jih je mogoče reciklirati in ponovno uporabiti.
- Ko je izdelek označen z znamenjem prekrižanega smetnjaka na kolesih, pomeni, da zanj veljajo določbe evropske Direktive 2012/19/UE.
- Pozanimajte se o načinu ločenega zbiranja električne in elektronske opreme, ki velja v vašem kraju.
- Upoštevajte veljavne predpise in odsluženih izdelkov ne odlagajte med gospodinjske odpadke. Pravilno odlaganje izdelka prispeva k izogibanju morebitnim negativnim posledicam za zdravje okolja in ljudi.

►tr - ÜRÜNÜN İMHA EDİLMESİ

- Bu ürün, geri dönüştürülüp tekrar kullanılabilen, yüksek kaliteli malzeme ve bileşenler kullanılarak tasarlanıp üretilmiştir.
- Herhangi bir üründe, üzerinde çarpı işareti bulunan tekerlekli bidon bulunuyorsa bu, ürünün 2012/19/UE Avrupa Direktifi tarafından korunduğunu belirtir.
- Lütfen bulunduğunuz bölgedeki elektrikli ve elektronik aletler için olan çöp ayrıştırma sistemi ile ilgili bilgi edininiz.
- Konuyla ilgili yerel düzenlemelere uyunuz ve eski ürünleri normal evsel atıklarla beraber atmayın. Ürünün doğru şekilde imha edilmesi, çevre ve insan sağlığını tehdit edici olumsuz sonuçların önlenmesine yardımcı olur.

►hr - ODBACIVANJE PROIZVODA

- Ovaj je proizvod osmišljen i izrađen s visokokvalitetnim materijalima i komponentama koje se mogu reciklirati i ponovno iskoristiti.
- Kada se na proizvod stavi simbol prekrižene kante na kotačima, to znači da je on podvrgnut Europskoj Smjernici 2012/19/UE.
- Informirajte se u svezi s lokalnim načinom diferencijalnog sakupljanja električnih i elektronskih proizvoda.
- Poštujte lokalne propise na snazi i ne odbacujte stare proizvode zajedno sa običnim kućnim otpadom. Pravilnim odbacivanjem proizvoda spriječit ćete moguće negativne posljedice za okoliš i za zdravlje ljudi.

►It - GAMINIO SUNAIKINIMAS

- Šis gaminys buvo sukurtas ir pagamintas iš aukštos kokybės medžiagų bei dalių, kurios gali būti perdirbtos arba panaudotos dar kartą.
- Kai gaminys yra pažymėtas perbraukto atliekų konteinerio su ratukais ženklui, tai reiškia, kad gaminys yra saugomas pagal ES direktyvą 2012/19/UE.
- Prašome pasidomėti apie vietinę elektros ir elektronikos atliekų rūšiavimo sistemą.
- Laikykitės vietinių galiojančių taisyklių ir nemeskite senų gaminių su įprastomis buitinėmis atliekomis. Tinkamai sunaikinę gaminių išvengsite galimų neigiamų pasekmių aplinkai ir žmonių sveikatai.

►lv - PRODUKTA IZNĪCINĀŠANA

- Šis produkts tika izveidots un ražots ar augstas kvalitātes materiāliem un sastāvdaļām, kas var būt savāktas un atkārtoti izmantotas.
- Kad pie produkta ir piestiprināts atkritumu tvertnes simbols ar riteņiem, kas ir pārsvītrots ar krustu, tas nozīmē, ka produktu aizstāv Eiropas Direktīva 2012/19/UE.
- Lūdzam Jūs gūt informāciju par vietēju centru, kas savāc elektriskās un elektroniskā ierīces.
- Ievērot vietējās pastāvošās normas un neiznīcināt vecus produktus, kā parastus mājas atkritumus. Produkta pareizā iznīcināšana palīdz izvairīties no iespējamām negatīvām sekām vides un cilvēku veselībai.

►et - TOOTE KASUTUSEST KÕRVALDAMINE

- See toode on projekteeritud ja toodetud kvaliteetsetest materjalidest ja osadest, mida võib uuesti ringlusse võtta ja korduskasutada.
- Kui tootel on märk, millel on ratastega prügikast, millele on rist peale tõmmatud, tähendab see, et toodet kaitseb Euroopa direktiiv 2012/19/UE.
- Palun tutvuge kohaliku elektri- ja elektroonikatoodete lahuskogumise süsteemiga.
- Täitke kehtivaid kohalikke õigusnorme ning ärge visake vana toodet olmejäätmete hulka. Toote õige kõrvaldamine aitab vältida võimalikke negatiivseid tagajärgi keskkonna ja inimeste tervisele.

►ro - SCOATEREA DEFINITIVĂ DIN UZ A PRODUSULUI

- Acest produs a fost proiectat și fabricat cu materiale și componente de înaltă calitate care pot fi reciclate și refolosite.
- Când pe produs este aplicat simbolul unei pubele cu roți, marcată cu o cruce, înseamnă că produsul respectiv este conform Directivei Europene 2012/19/UE.
- Vă rugăm să vă informați în ceea ce privește colectarea separată a produselor electrice și electronice.
- Respectați normele locale în vigoare și nu depozitați produsele vechi împreună cu deșeurile menajere. Eliminarea corectă a produsului ajută la eliminarea consecințelor negative pe care acesta le poate avea asupra mediului înconjurător și a persoanelor.

►sk - LIKVIDÁCIA VÝROBKU

- Tento výrobok bol navrhnutý a vyrobený z vysoko kvalitných materiálov a komponentov, ktoré je možné recyklovať a znovu použiť.
- Ak je na výrobku symbol prečiarknutého kontajnera, znamená to, že na výrobok sa vzťahuje Európska Smernica 2012/19/UE.
- Informujte sa o miestnom systéme pre oddelený zber elektrických a elektronických výrobkov.
- Dodržujte miestne predpisy a nelikvidujte staré produkty spolu s bežným komunálnym odpadom. Správna likvidácia výrobku pomôže predchádzať možným negatívnym dopadom na životné prostredie a ľudské zdravie.

►bg - ИЗХВЪРЛЯНЕ НА УРЕДА

- Това изделие е проектирано и произведено с материали и компоненти от високо качество, които могат да се рециклират или използват повторно.
- Когато на някое изделие е поставен символ с бидон на колелца, маркиран с хикс, това означава, че изделието е защитено съгласно Европейска Директива 2012/19/UE.
- Моля да се информирате относно местната система за разделно изхвърляне на електрически и електронни изделия.
- Спазвайте действащите местни нормативи и не изхвърляйте изделията, заедно с нормалните домакински отпадъци. Правилното изхвърляне на изделията, помага за избягване на възможни отрицателни последици, за здравето на хората и за опазване на околната среда.

►uk - УТИЛІЗАЦІЯ ВИРОБУ

- Цей виріб був спроектований і вироблений з використанням високоякісних матеріалів і комплектуючих, які можуть бути повторно перероблені і використані.
- Якщо на виріб нанесено символ перекресленого бака з колесами для сміття, це означає, що виріб відповідає Директиві Європейського Союзу 2012/19/UE.
- Просимо ознайомитися з інформацією щодо місцевої системи роздільного збору сміття для електричного і електронного обладнання.
- Дотримуйтеся чинних місцевих правил і не викидайте старі вироби до звичайних побутових відходів. Правильна утилізація виробу допомагає уникнути можливих негативних наслідків для довкілля і здоров'я людей.

►bs - ODLAGANJE PROIZVODA

- Ovaj je proizvod dizajniran i proizveden korištenjem materijala i komponenata visoke kvalitete koji se mogu reciklirati i ponovo koristiti.
- Kada se na ovaj proizvod postavi simbol prekrizene kante /obilježene krstom na točkovima, to znači da je proizvod podložan Evropskoj Direktivi 2012/19/UE.
- Molimo Vas da se informirate o lokalnom sistemu diferencijalnog sakupljanja električnih i elektronskih proizvoda.
- Poštujte lokalne propise na snazi i ne odbacujte stare proizvode u obični kućanski otpad. Pravilno odlaganje proizvoda pomaže i onemogućuje negativne posljedice za zdravlje ljudi i okoliša

►el - ΔΙΑΘΕΣΗ ΤΟΥ ΠΡΟΪΟΝΤΟΣ

- Το προϊόν αυτό σχεδιάστηκε και κατασκευάστηκε με υλικά και εξαρτήματα υψηλής ποιότητας, τα οποία μπορούν να ανακυκλωθούν και να ξαναχρησιμοποιηθούν.
- Όταν ένα προϊόν είναι συνδεδεμένο με το σύμβολο του διαγεγραμμένου τροχοφόρου σημειωμένο με ένα σταυρό, σημαίνει ότι το προϊόν καλύπτεται από την Ευρωπαϊκή Οδηγία 2012/19/UE.
- Σας συνιστούμε να ενημερωθείτε σχετικά με το τοπικό σύστημα συλλογής για την ανακύκλωση ηλεκτρικών και ηλεκτρονικών προϊόντων.
- Τηρήστε τους τοπικούς κανονισμούς που ισχύουν και μην απορρίπτετε τα παλαιά προϊόντα στα οικιακά απορρίμματα. Η σωστή διάθεση του προϊόντος βοηθά στην αποφυγή πιθανών αρνητικών συνεπειών για την υγεία του περιβάλλοντος και του ανθρώπου.

►zh - 弃置旧的产品

- 该产品是由高质量的原材料和零配件生产而成的，可以进行回收再利用
- 当这个标识标签出现在产品上时，它表明这个产品符合 European Directive 2012/19/UE 标准。
- 请熟知产品实际使用地关于处理废弃的电子元件的相关法律规定。
- 请严格根据当地法规处理废弃的产品和包装，并确保不和生活垃圾混装。正确的处理方式可以避免对环境 and 人体健康产生的潜在威胁。

