

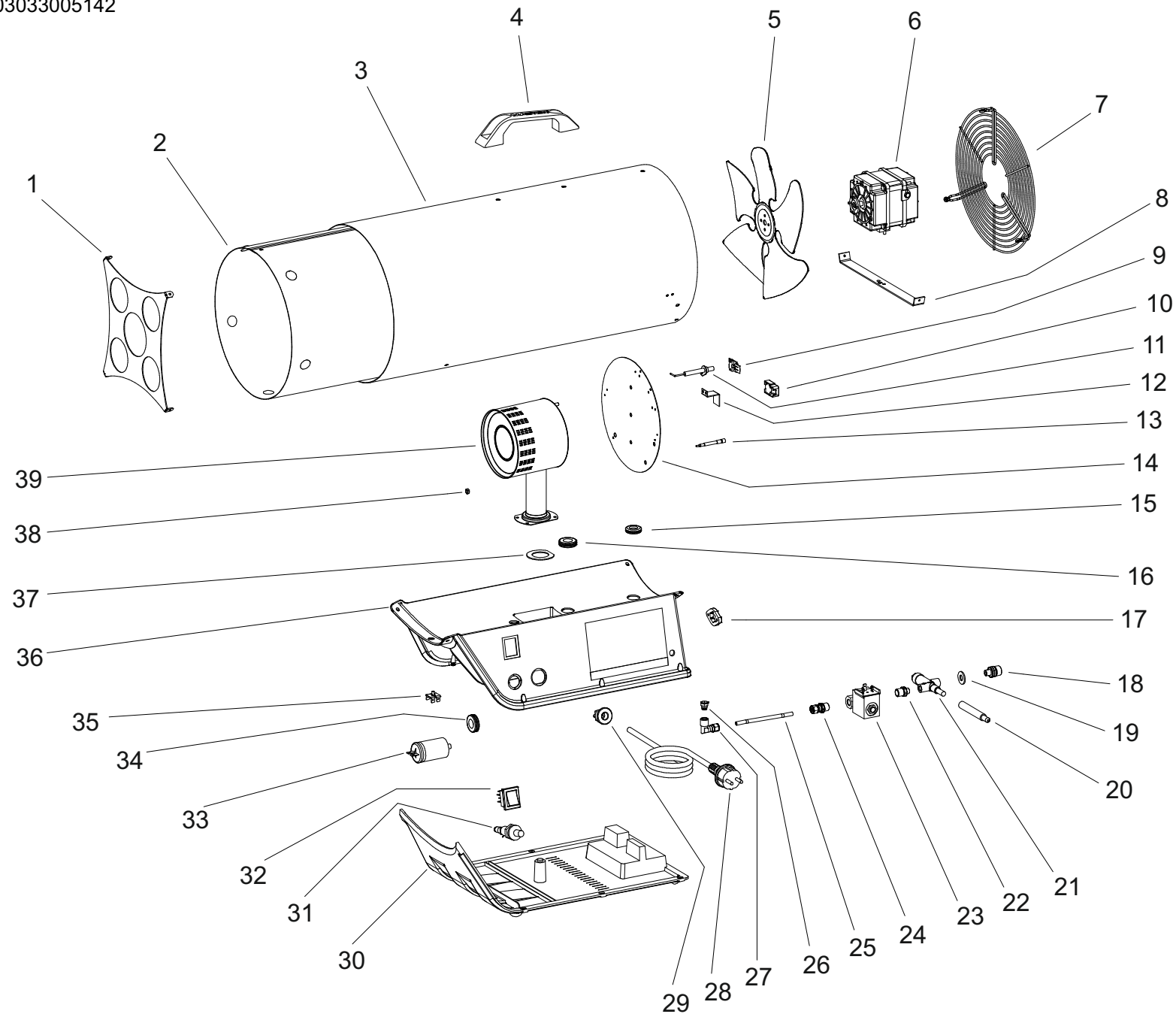
MODEL 53M

UNIT 1

ILLUSTRATED PARTS BREAKDOWN

From Serial Number : 03033005142

Rev.A - May 2013



MODEL 53M

UNIT 2

PARTS LIST

Pos.	Code N°	Description	Rev.A - May 2013
1	4100.814	OUTLET GRID	
2	4162.731	COMBUSTION CHAMBER	
3	4160.132	SHELL INOX	
	4160.481	SHELL ORANGE	
	4162.728	SHELL YELLOW	
4	4162.934	PLASTIC HANDLE	
5	4160.691	FAN	
6	4160.046	ELECTRIC MOTOR	
7	4160.739	INLET GRID	
8	4162.733	ELECTRIC MOTOR BRACKET	
9	4162.910	SAFETY THERMOSTAT	
10	4162.909	SAFETY THERMOSTAT COVER	
11	4160.731	IGNITION ELECTRICAL FOLDER	
12	4106.047	THERMOSTAT BRACKET	
13	4106.042	INTERRUPTED THERMOCOUPLE	
14	4162.869	PLATE BURNER	
15	4160.646	GROMMET	
16	4160.646	GROMMET	
17	4161.854	BLOCK FOR NOZZLE	
18	4160.048	GAS INLET NOZZLE	
19	4160.283	WASHER	
20	4162.479	VALVE ROD	
21	4160.688	SAFETY VALVE	
22	4160.299	REDUCTION NIPPLES	
23	4160.963	ELECTROVALVE	
24	4160.962	REDUCTION NIPPLES	
25	4162.724	COPPER TUBE	
26	4160.527	GAS NOZZLE	
27	4160.967	ELBOW	
28	4160.539	ELECTRICAL CABLE	
29	4160.635	KEEPER WIRE	
30	4162.853	LOWER PLASTIC BASE	
31	4162.597	PIEZO IGNITOR	
32	4160.637	SWITCH	
33	4106.275	CAPACITOR 3 µF	
34	4160.646	GROMMET	
35	4160.639	RIVET POP	
36	4162.719	HIGHER PLASTIC BASE	
37	4160.769	NECK PLATE	
38	4106.043	THERMOCOUPLE NUT	
39	4160.467	GAS BURNER	

RECOMMENDED SPARE PARTS

Pos.	Code NR	Description	Rev.A - May 2013
6	4160.046	ELECTRIC MOTOR	
9	4162.910	SAFETY THERMOSTAT	
10	4162.909	SAFETY THERMOSTAT COVER	
11	4160.731	IGNITION ELECTRICAL FOLDER	
13	4106.042	INTERRUPTED THERMOCOUPLE	
21	4160.688	SAFETY VALVE	
31	4162.597	PIEZO IGNITOR	

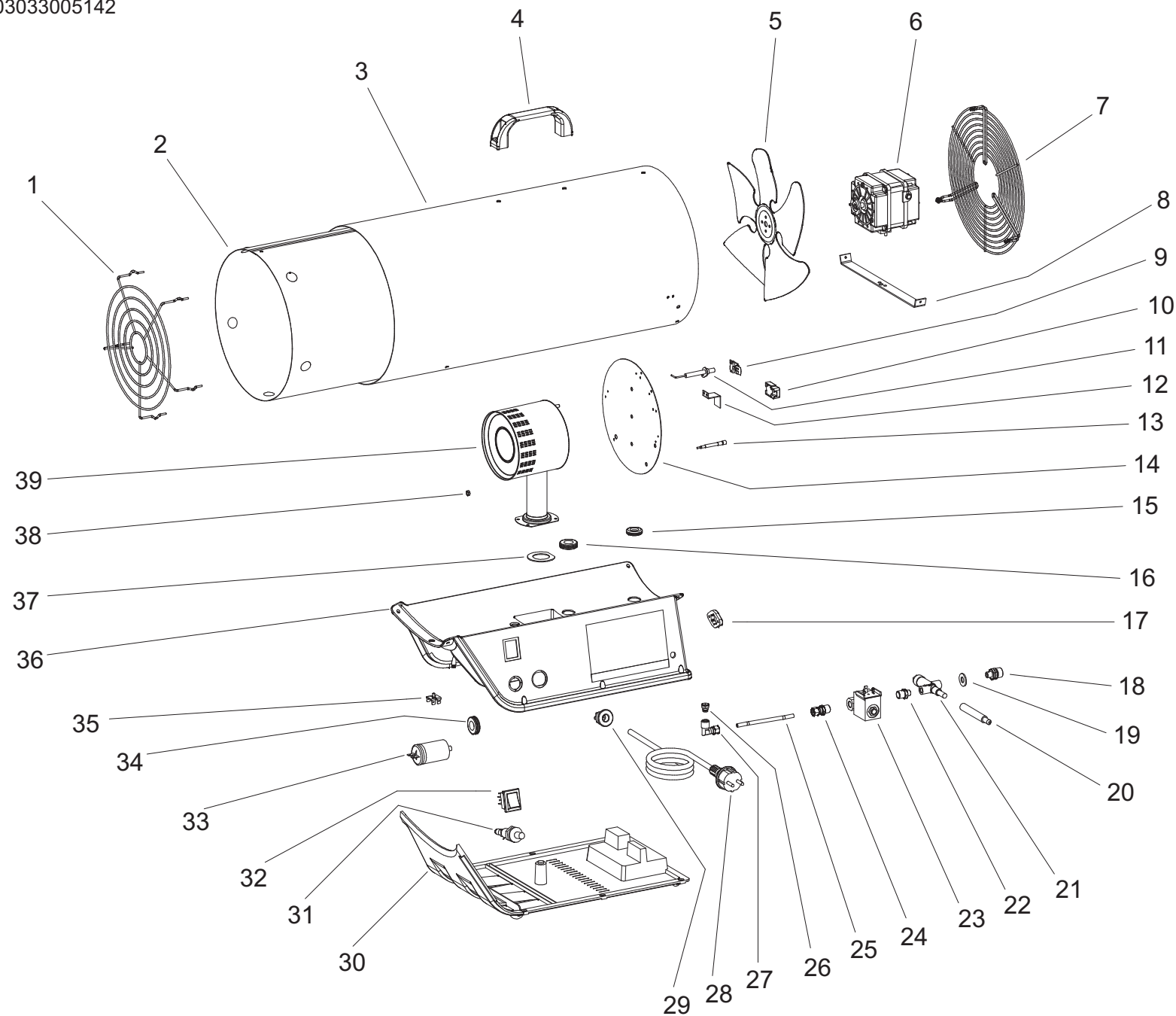
MODEL 53M

UNIT 1

ILLUSTRATED PARTS BREAKDOWN

From Serial Number : 03033005142

Rev. - - Oct. 2012



MODEL 53M

UNIT 2

PARTS LIST

Pos.	Code N°	Description	Rev. - - Oct. 2012
1	4160.740	OUTLET GRID	
2	4162.731	COMBUSTION CHAMBER	
3	4160.133	COVER	
4	4162.893	PLASTIC HANDLE	
5	4160.691	FAN	
6	4160.046	ELECTRIC MOTOR	
7	4160.739	INLET GRID	
8	4162.733	ELECTRIC MOTOR BRACKET	
9	4162.910	SAFETY THERMOSTAT	
10	4162.909	SAFETY THERMOSTAT COVER	
11	4160.731	IGNITION ELECTRICAL FOLDER	
12	4106.047	THERMOSTAT BRACKET	
13	4106.042	INTERRUPTED THERMOCOUPLE	
14	4162.869	PLATE BURNER	
15	4160.646	GROMMET	
16	4160.646	GROMMET	
17	4161.854	BLOCK FOR NOZZLE	
18	4160.048	GAS INLET NOZZLE	
19	4160.283	WASHER	
20	4162.479	VALVE ROD	
21	4160.688	SAFETY VALVE	
22	4160.299	REDUCTION NIPPLES	
23	4160.963	ELECTROVALVE	
24	4160.962	REDUCTION NIPPLES	
25	4162.724	COPPER TUBE	
26	4160.527	GAS NOZZLE	
27	4160.967	ELBOW	
28	4160.539	ELECTRICAL CABLE	
29	4160.635	KEEPER WIRE	
30	4162.853	LOWER PLASTIC BASE	
31	4162.597	PIEZO IGNITOR	
32	4160.637	SWITCH	
33	4031.627	CAPACITOR 3 μ F	
34	4160.646	GROMMET	
35	4160.639	RIVET POP	
36	4162.719	HIGHER PLASTIC BASE	
37	4160.769	NECK PLATE	
38	4106.043	THERMOCOUPLE NUT	
39	4160.467	GAS BURNER	

RECOMMENDED SPARE PARTS

Pos.	Code NR	Description	Rev. - - Oct. 2012
6	4160.046	ELECTRIC MOTOR	
9	4162.910	SAFETY THERMOSTAT	
10	4162.909	SAFETY THERMOSTAT COVER	
11	4160.731	IGNITION ELECTRICAL FOLDER	
13	4106.042	INTERRUPTED THERMOCOUPLE	
21	4160.688	SAFETY VALVE	
31	4162.597	PIEZO IGNITOR	

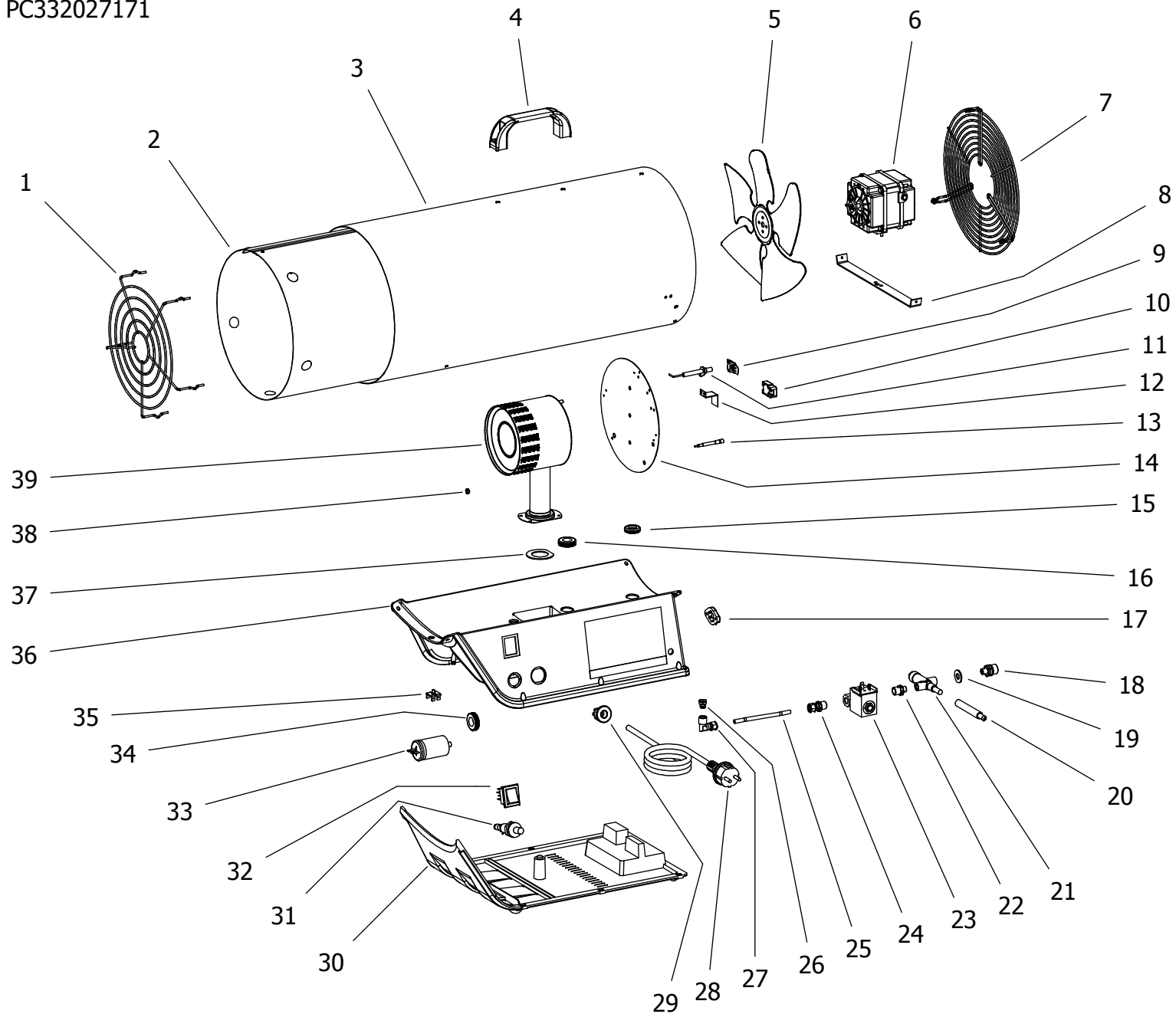
MODEL 53M

UNIT 1

ILLUSTRATED PARTS BREAKDOWN

From Serial Number: PC332027171

Rev. Emiss. - October
2012



MODEL 53M

UNIT 2

PARTS LIST

Pos.	Code NR	Description	Rev. Emiss. - October 2012
1	4160.740	OUTLET GRID	
2	4162.731	COMBUSTION CHAMBER	
3	4160.133	COVER	
4	4162.893	PLASTIC HANDLE	
5	4160.691	FAN	
6	4160.046	ELECTRIC MOTOR	
7	4160.739	INLET GRID	
8	4162.733	ELECTRIC MOTOR BRACKET	
9	4162.910	SAFETY THERMOSTAT	
10	4162.909	SAFETY THERMOSTAT COVER	
11	4160.731	IGNITION ELECTRICAL FOLDER	
12	4106.047	THERMOSTAT BRACKET	
13	4106.042	INTERRUPTED THERMOCOUPLE	
14	4162.869	PLATE BURNER	
15	4160.646	GROMMET	
16	4160.646	GROMMET	
17	4161.854	BLOCK FOR NOZZLE	
18	4160.048	GAS INLET NOZZLE	
19	4160.283	WASHER	
20	4162.479	VALVE ROD	
21	4160.688	SAFETY VALVE	
22	4160.299	REDUCTION NIPPLES	
23	4160.963	ELECTROVALVE	
24	4160.962	REDUCTION NIPPLES	
25	4162.724	COPPER TUBE	
26	4160.527	GAS NOZZLE	
27	4160.967	ELBOW	
28	4160.539	ELECTRICAL CABLE	
29	4160.635	KEEPER WIRE	
30	4162.853	LOWER PLASTIC BASE	
31	4162.597	PIEZO IGNITOR	
32	4160.637	SWITCH	
33	4106.275	CAPACITOR 3 μ F	
34	4160.646	GROMMET	
35	4160.639	RIVET POP	
36	4162.719	HIGHER PLASTIC BASE	
37	4160.769	NECK PLATE	
38	4106.043	THERMOCOUPLE NUT	
39	4160.467	GAS BURNER	

MODEL 53M

UNIT 3

RECOMMENDED SPARE PARTS

Pos.	Code NR	Description	Rev. Emiss. - October 2012
6	4160.046	ELECTRIC MOTOR	
9	4162.910	SAFETY THERMOSTAT	
10	4162.909	SAFETY THERMOSTAT COVER	
11	4160.731	IGNITION ELECTRICAL FOLDER	
13	4106.042	INTERRUPTED THERMOCOUPLE	
21	4160.688	SAFETY VALVE	
31	4162.597	PIEZO IGNITOR	