

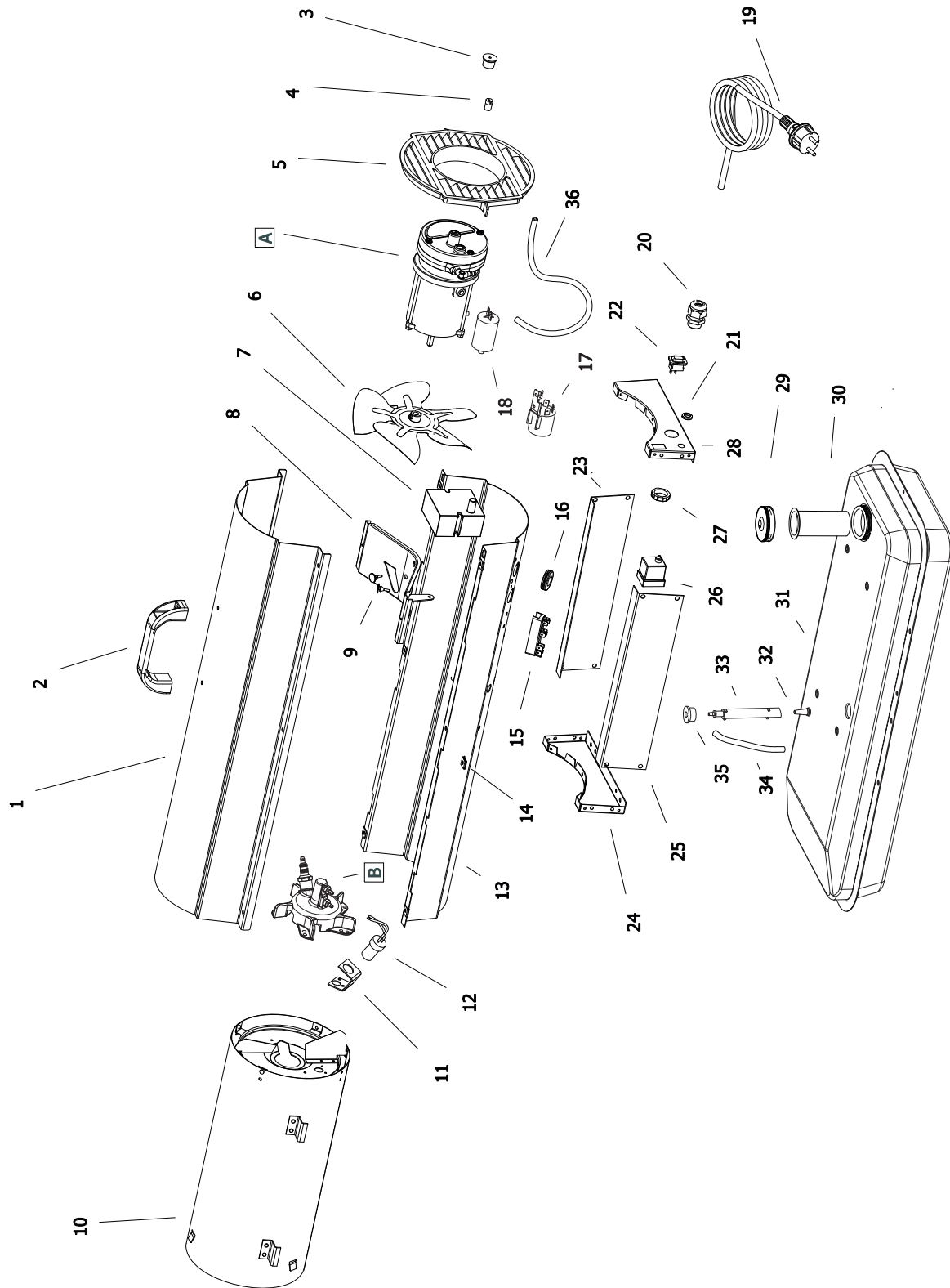
MODEL B70 CED

UNIT 1

ILLUSTRATED PARTS BREAKDOWN

From Serial Number: 30101526

Edizione 2010
Rev. A



MODEL B70 CED

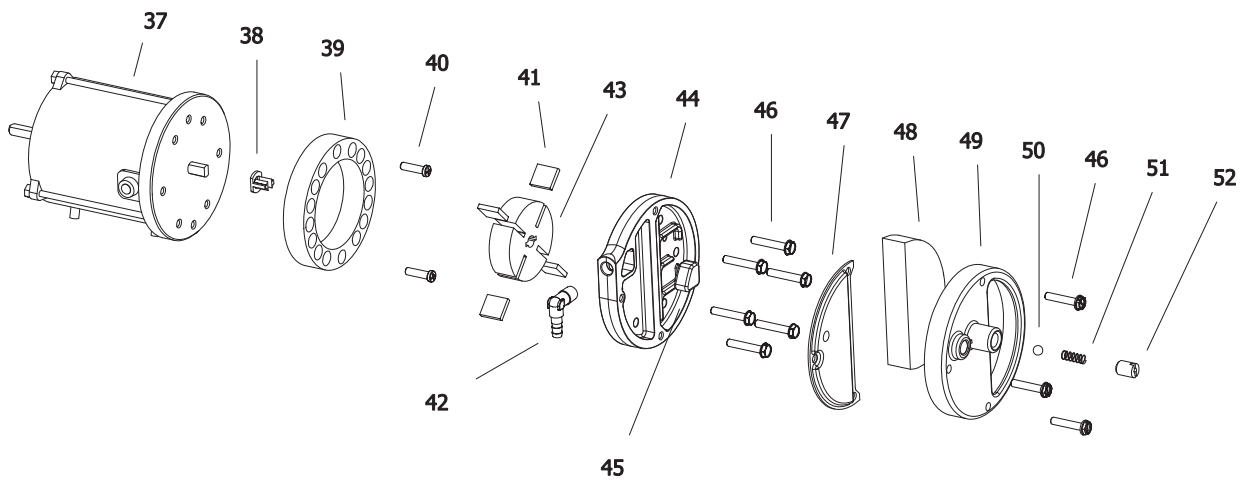
UNIT 2

ILLUSTRATED PARTS BREAKDOWN

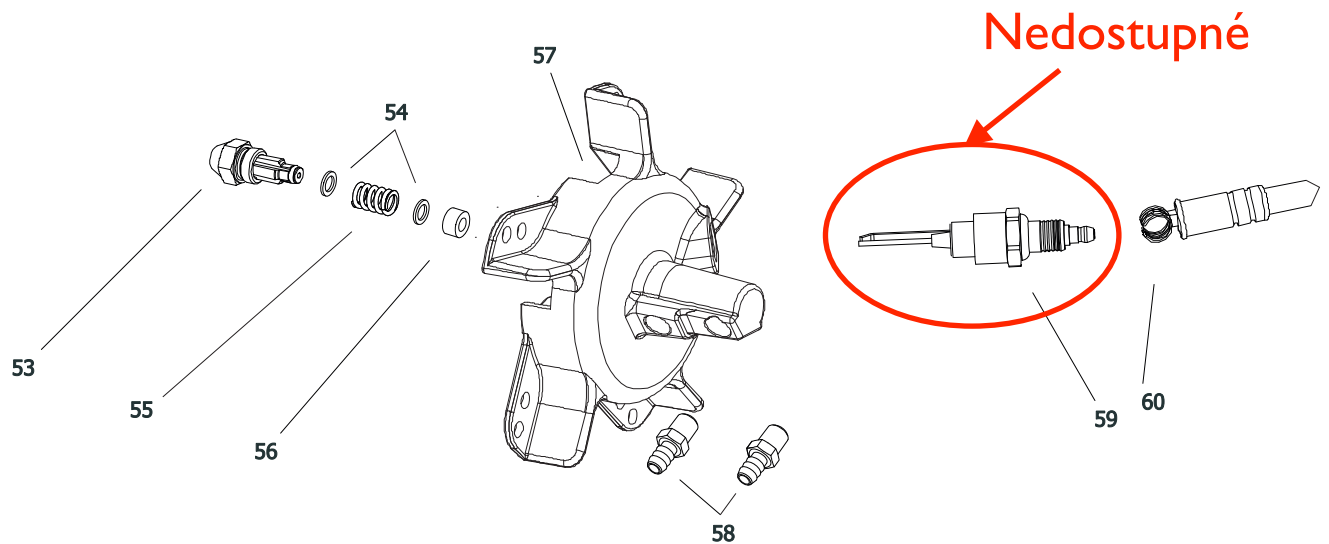
A

From Serial Number: 30101526

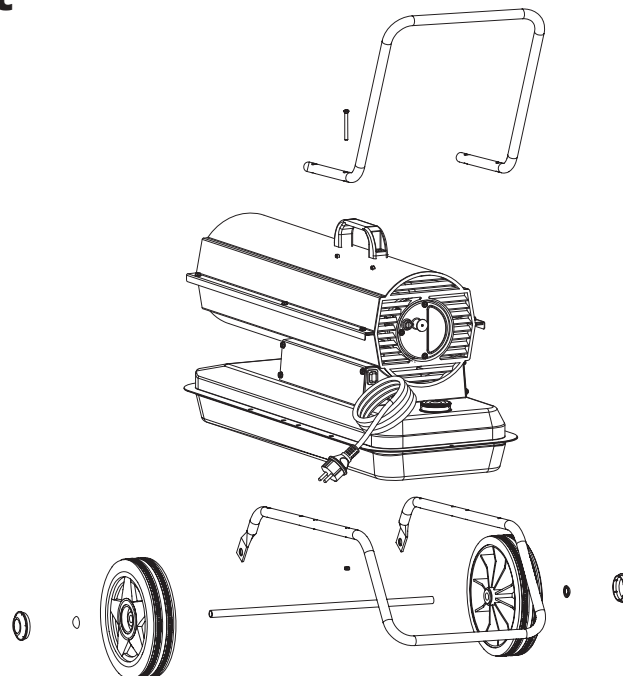
Edizione 2010
Rev. A



B



4103.925 Wheel Kit



MODEL B 70 CED

Pos.	Code NR	Description
1	S/R	UPPER SHELL
2	4160.715	PLASTIC HANDLE
3	4100.666	COVER CAP
4	4102.125	PRESSURE GAUGE CAP
5	4103.685	FAN GUARD
6	4100.662	FAN
7	4110.453	ELECTRONIC IGNITOR
8	4110.187	MOTOR BRACKET
9	4150.553	BUMPER
10	4104.090	COMBUSTION CHAMBER
11	4100.658	PHOTOCELL BRACKET
12	4110.564	PHOTOCELL ASSEMBLY
13	S/R	LOWER SHELL
14	4104.170	CLIP NUT
15	4106.110	TERMINAL BOARD
16	4160.646	CABLE PROTECTION
17	4100.528	POWER LINE RFI FILTER
18	4110.293	CAPACITOR
19	4110.486	POWER CORD
20	4150.528	STRAIN RELIEF
21	4109.592	NUT
22	4106.179	ON/OFF SWITCH
23	4110.560	RIGHT PANEL
24	4110.113	FRONT FRAME BRACKET
25	4110.560	LEFT PANEL
26	4104.196	FLAME-OUT CONTROL
27	4100.656	LOCKNUT
28	4110.514	REAR FRAME BRACKET
29	4103.891	FUEL TANK CAP
30	4105.292	FUEL TANK FILTER
31	4110.895	FUEL TANK
32	4110.356	FUEL FILTER
33	4110.391	FUEL LINE
34	4110.032	FUEL LINE
35	4100.541	RUBBER BUSHING
36	4104.147	AIR LINE
37	4110.480	MOTOR 1/8 HP
38	4108.635	INSERT
39	4101.317	PUMP BODY

MODEL B 70 CED

Pos.	Code NR	Description
40	4108.588	PUMP BODY SCREW
41	4101.200	BLADE
42	4100.661	BARB ELBOW
43	4108.627	ROTOR
44	4109.724	PUMP END COVER
45	4109.716	LINT FILTER
46	4108.528	SCREW/LOCKWASHER 4,8x25
47	4109.708	OUTPUT FILTER
48	4109.690	INTAKE FILTER
49	4109.674	END COVER
50	4108.379	STEEL BALL
51	4102.141	PRESSURE RELIEF SPRING
52	4102.133	ADJUSTING SCREW
53	4103.486	NOZZLE
54	4100.525	WASHER
55	4100.533	NOZZLE SEAL SPRING
56	4101.622	NOZZLE SEAL SLEEVE
57	4109.351	BURNER HEAD BODY
58	4104.118	BARB FITTING
59	4101.846	SPARK PLUG
60	4110.194	HT CABLE
...	4103.925	WHEEL KIT HD B35/70

S/R = Parts available on special request only