



# EUROPOWER®

www.**EUROPOWER**Generators.com



## EP30DE - EP34TDE - EP44TDE

### Content:

0. INTRODUCTION
1. SAFETY INSTRUCTIONS
2. CE-MARK, NOISE LABEL AND PICTOGRAMS
3. SHORT DESCRIPTION OF THE GENERATING SET
4. DESCRIPTION OF THE CONTROL PANEL
5. USE OF THE GENERATING SET
6. INCORPORATION OF THE GENERATING SET
7. PARTS LIST
8. ELECTRICAL SCHEMES
9. BUILDING-IN DIMENSIONS
10. MAINTENANCE
11. TRANSPORT AND STORAGE
12. SEARCHING FOR DEFAULTS (engine)

ORIGINAL INSTRUCTION MANUAL

## 0. INTRODUCTION

Please read this manual carefully before using the generating set. If you act as stated in this manual, your generating set will guarantee you a smooth functioning for years.

First read the engine and alternator manual. These manuals are supplied with each generating set and explain the use, the maintenance and the dangers in case of improper use.

If you have any questions concerning your generating set please contact EUROPOWER Generators through [www.europowergenerators.com](http://www.europowergenerators.com).

All data in this manual are based on the standard versions of EP30DE/EP34TDE/EP44TDE with Kubota V3300/ V3800DIT engine. Generating sets with options can have slightly different data. Contact your dealer for more information.

## 1. SAFETY INSTRUCTIONS

- Read and understand the owner's manual before using the generator, opening it or working on it. This can prevent personal injury or equipment damage. When this manual is not 100% clear to you, please consult an authorised dealer.
- Place the generator on a levelled surface.  
When the generator is tilted, fuel spillage may result.  
Place the generator, when in use, at least 1m away from buildings or other equipment.  
Keep children and pets away from the generator when it is in operation.
- Diesel is extremely flammable and explosive under certain conditions. Refuel only in a well-ventilated area with the engine stopped. Do not smoke or allow flames or sparks in the area where the engine is refuelled or where diesel is stored.  
Wipe up spilled fuel at once.  
Avoid repeated or prolonged contact with skin or breathing of vapour.
- Use automotive diesel (diesel number 2 according to EN590) with a cetane number of 40 or higher, and with a max. sulphur level of 0,5%.
- It is allowed to use the generating set in the rain (according to EN60529-protection class IP23). This means that the generating set can support water in the form of rain till max. 60° in respect of the perpendicular line. Do not use the generating set in the snow. Only use it in spaces where there is no explosion hazard.
- The generator is a potential source of electrical shocks when misused. Do not operate the generator with wet hands.
- Connections for standby power to a building's electrical system must be made by a qualified electrician and must comply with all applicable laws and electrical codes.  
Never connect the generating set to the public mains or any other electrical power source! Improper connections can allow electrical current from the generator to back feed into the utility lines. Such back feed may electrocute utility company workers, and when utility power is restored, the generator may explode, burn or cause fires in the building's electrical system.
- The muffler becomes very hot during operation and remains hot for a while after stopping the engine.  
Be careful not to touch the muffler while it is still hot.  
Let the engine cool down before storing the generator indoors.  
To prevent scalding, pay attention to the warning marks attached to the generator.

- Keep in mind the maximum weight a person is allowed to carry if you move the generating set by hand.
- Make sure the generator operates in a well-ventilated room. In case of insufficient cooling and/or ventilation severe damage can occur. Exhaust gases also contain poisonous carbon monoxide.
- Never use the generator when the cover plates are removed from the engine or alternator.
- Do not wear loose clothes near the generator.
- Let maintenance be carried out by trained technicians only. For example, according to art. 233 of the Belgian AREI - General Regulation on Electrical Installations - this means that maintenance can only be carried out by "warned persons" (code BA4) or "authorised persons" (code BA5). If local rules differ, the most rigid of both rules should be followed.
- Never work on the generator while it is still running.
- Never connect appliances that need more power than the generator can provide. This could seriously damage the generator.
- Be very careful while using a welder on any type of generator. Welders might damage the alternator. Always consult a EUROPOWER specialist first to make sure that the power of the generating set matches the requested power of the welder.
- If the appliance you want to connect is of an electronic kind (computer, radio, TV, plastic welder, ...), always consult a EUROPOWER specialist first. Such appliances might not work or even break down in combination with some alternators. Alternators with a low harmonic distortion are best suited for connection of electronic appliances.
- Never let a diesel engine run for a long time (= more than 30 min.) at no load or at a very low load (<15%). This can damage the engine severely!

**2. CE-MARK, NOISE LABEL AND PICTOGRAMS**

**EUROPOWER** EUROPOWER Generators bvba  
Tegelstraat 175 - 3500 Nieuwvelden  
Tel. +32-11-586161 - Fax +32-11-582838

Low Power Generating Set








Type:	EPS3TDE		Nr - Year:		001244 - 16	
	kVA	kW	A (1~230V)	A (3~400V)	IP Jet	EN590
PRP	5,5	6,3	12	10	Tank (l)	62
ESP	9	7,2	13	10,4	LWA	85
Cos φ	0,8	Altitude (m)	1000	Max. ambient T (°C)	40	rpm
Mass (kg)	440	Frequency (Hz)	50	ISO8528-Class	G1 - A	1500







An ISO9001-2008 Certified Company      MADE IN BELGIUM by      www.europowergenerators.com




2.1. CE-marking and noise label: these are examples of a EUROPOWER type indication plate and a noise label. The type indication plate can be found on every generator. The noise label only appears on generators that comply with the European Standard 2000/14/EC. More information on this can be found in the EUROPOWER documentation or on our web site [www.europowergenerators.com](http://www.europowergenerators.com).

2.2. Pictograms: some of these pictograms are typical for a certain option or special type of generating set. Therefore not all pictograms necessarily appear on the standard generating set.

(2)		<p>Here you can fill the tank with diesel. Remove the fuel filler cap and check the fuel level. Refuel carefully to avoid fuel spillage. Do not fill the tank to the top. You might have to lower the fuel level, depending on operating conditions. After refuelling, reinstall the fuel filler cap and tighten it securely. Spilled fuel causes environmental damage. Wipe up spilled diesel at once.</p>
(3)		<p>Diesel drain plug. By loosening this plug you can drain the fuel tank if necessary. Spilled diesel causes environmental damage. Wipe up spilled diesel at once. If you will not use the drained diesel again, you have to get rid of it in a correct and environmentally friendly way. Respect the local regulations. Do not pour diesel into the ground or down the drain.</p>
(4)		<p>Here you can fill the oil by loosening the oil filler cap or dipstick. Fill carefully to avoid oil spillage. Spilled oil should be wiped up immediately in a correct and environmentally friendly way. Respect the local regulations. Do not pour oil onto the ground or down the drain.</p>
(5)		<p>After removing the hatch, you can refill the radiator. Warning: risk of burns! Stop the generating set and let it cool down before removing the pressure cap. Loosen the pressure cap to release the pressure. Do not refill the radiator when the engine has just run and is still warm. Wait until the engine cooled down and then refill the radiator. Hot coolant and steam can cause a serious and even deadly injury.</p>
(11)		<p>WARNING! – Electric shock hazard.</p>
(12)		<p>Never connect the generator to an installation which is also connected to a public mains. Improper connections can allow electrical current from the generator to back feed into the utility lines. Such back feed may electrocute utility company workers, and when utility power is restored, the generator may explode, burn or cause fires in the building's electrical systems.</p>
(13)		<p>Here an earth pin can be connected. Follow the instructions in this manual concerning the use of an earth pin.</p>

(22)		WARNING! – Hot surface. Can cause burns. Hot engine and hot exhaust system can cause serious and even lethal injuries. Never work on the generating set before it has sufficiently cooled down.
(23)		Do not smoke nor allow sparks or flames near the generating set, the fuel pipe, the fuel filter, the fuel pump or other possible sources of spilled fuel or fuel vapours.
(24)		Fuel is highly flammable and explosive and you can be burnt or seriously injured when refuelling. Turn the engine off and let it cool down before refuelling.
(25)		The engine's exhaust gases contain poisonous carbon monoxide. You can be killed or seriously hurt. Do not run the engine in a closed environment. The exhaust system should be leak-tight and it should be inspected regularly.
(26)		Rotating parts can cause serious and even deadly injuries. Do not let the engine run unless all protection covers, shields and grids are in place. Make sure the incoming and outgoing air flow is not obstructed.
(27)		Only use a hoist according to local safety regulations. Never allow sharp bends in lifting cables and chains. It is strictly forbidden to dwell or stay in the risk zone under a lifted load. Never lift the unit over people or residential areas. Never leave a load hanging on a hoist. Lifting acceleration and retardation shall be kept within safe limits. To lift heavy parts, a hoist of ample capacity, tested and approved according to local safety regulations, shall be used. Lifting hooks, eyes, shackles, etc. shall never be bent and shall only have stress in line with their design load axis. The capacity of a lifting device diminishes when the lifting force is applied at an angle to its load axis. For maximum safety and efficiency of the lifting apparatus all lifting members shall be applied as near to perpendicular as possible. A hoist has to be installed in such a way that the object will be lifted perpendicular. If that is not possible, the necessary precautions must be taken to prevent load-swinging, e.g. by using two hoists, each at approximately the same angle not exceeding 30° from the vertical.

(28)		<p><b>WARNING!</b> – Consult the instruction and maintenance manual of the engine and the alternator before carrying out maintenance. Improper maintenance, or failure to correct a problem before operation, can cause a malfunction in which you can be seriously hurt or killed.</p> <p>Always follow the inspection and maintenance recommendations and schedules mentioned in the instruction and maintenance manual of the engine and the alternator.</p>
------	---	---

**3. SHORT DESCRIPTION OF THE GENERATING SET**

		<b>EP30DE</b>	<b>EP34TDE</b>	<b>EP44TDE</b>
<b>GENERATING SET:</b>				
<b>Power</b>	<b>Unit</b>			
<b>3-phase (400V)</b>				
Max. power @ Cosφ0,8	kVA / kW	-	33 / 26,4	44 / 35.2
Max. current	A	-	38	51
Cont. power @ Cosφ0,8	kVA / kW	-	30 / 24	40 / 32
Cont. current	A	-	34	46
<b>1-phase (230V)</b>				
Max. power	kVA / kW	30 / 30	10.5 / 10.5	14 / 14
Max. current	A	130	46	61
Cont. power	kVA / kW	28 / 28	10.5 / 10.5	14 / 14
Cont. current	A	122	46	61
<b>Voltage 3~ / 1~</b>	V	230	400/230	400/230
<b>Frequency</b>	Hz	50		
<b>Dimensions L x W x H</b>	cm	160 x 96 x 105		
<b>Weight (oil and coolant incl.)</b>	kg	...	... (LSA42.3) / 640(ECP28)	666(LSA42.3) / 725(ECP32)
<b>Noise level measured (75% charge) guaranteed*</b>	dB(A)@ 7m LWA	79 *	77 *	79 *
<b>Tank</b>	litre	76		
<b>Autonomy at charge of 75%</b>	hour	10	12.5	10
<b>Battery</b>	V / Ah	12 / 88		
<b>Engine protections</b>	In case of low oil pressure, high water temperature, breaking of the fan belt or damaged 12V alternator, (low fuel level)**			
<b>ENGINE:</b>				
<b>Type</b>		KUBOTA V3800DIT	KUBOTA V3300	KUBOTA V3800DIT
<b>Number of revolutions</b>	rpm	1500		
<b>Power stand-by</b>	kW	42	27.5	42
<b>Displacement</b>	cm <sup>3</sup>	3769	3318	3769
<b>Consumption at full load</b>	litre/hour	7.7	6.1	7.7
<b>Oil capacity</b>	litre	13,2		
<b>Coolant capacity</b>	litre	9,3		
<b>ALTERNATOR:</b>				
<b>Type</b>		Version with Mecc-Alte: ECP32-3S/4 with AVR (brushless)	Version with Leroy-Somer: LSA42.3VS3 AREP with AVR SYS.2 (brushless) Version with Mecc-Alte: ECP28-VL/4 with AVR (brushless)	Version with Leroy-Somer: LSA42.3S5 AREP with AVR SYS.2 (brushless) Version with Mecc-Alte: ECP32-3S/4 with AVR (brushless)

(\*) This generating set does not comply with the European Noise Directive 2000/14/EG: see also "Mounting instructions" to be found with "Declaration of Incorporation according to 2006/42/EG".



\*\* See chapter 4 Description of the control panel

The main components of the generating set are: the water-cooled KUBOTA diesel engine (1500rpm), the alternator, the control panel, the ECU (electronic control unit - only on EP30DE / EP44TDE), integrated fuel tank and the chassis.

For engine and alternator specifications we refer to the engine and alternator manual supplied with each generating set.

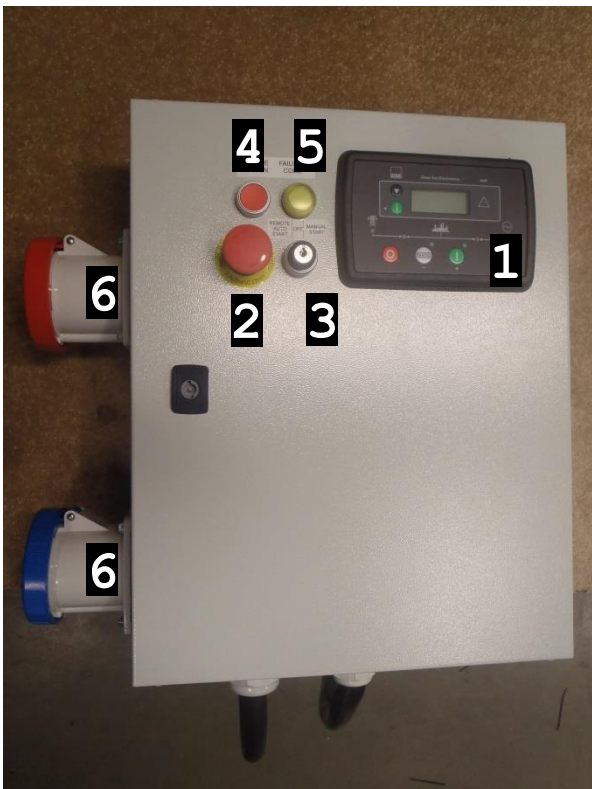
Specifications for the control panel can be found in chapter 4.

The Kubota V3800DIT engine (only on EP30DE / EP44TDE) has an electronic speed regulation. The ECU will compare the engine speed coming from the speed sensor to a reference speed that has been determined in advance (1500rpm). If necessary it will activate the actuator by means of a pulsating signal. This way, the engine speed remains stable at 1500 rpm.

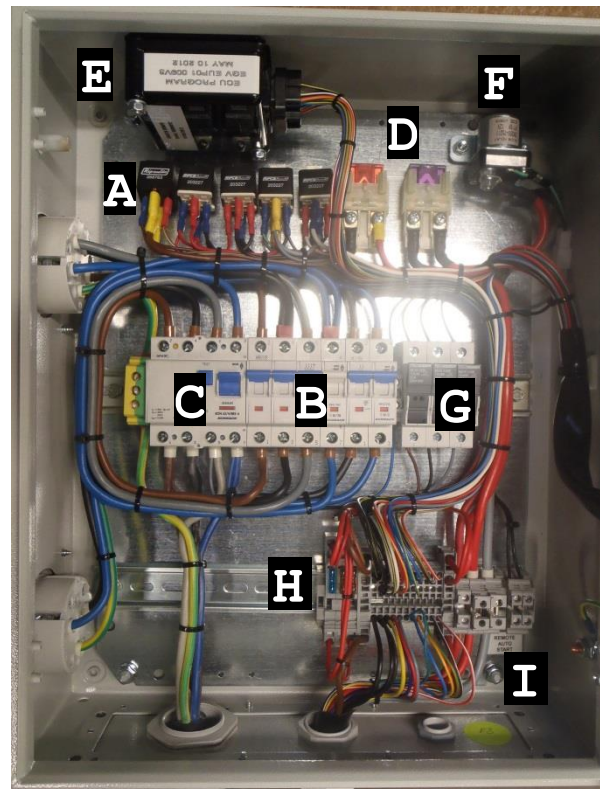
The ECU also takes care of the starting procedure (automatic preheating time, activation time of the starting motor, start interruption with running engine), it has an emergency stop function (when the speed is too high, the oil pressure is too low, the coolant temperature is too high and the charging current of the battery is too low or when the battery is broken (= battery charging control)) and a failure diagnosis function (by means of signal lamps).

The chassis of the generator serves as fuel tank (content 76 litres) and contains the fuel filler cap, the mechanic fuel level meter, the fuel drain cap (for cleaning of fuel tank), 4 fixation holes (for fixed mounting of the genset), the battery support and the fixing support for the (manual) oil drain pump. In the bottom plate of the chassis there is an inspection hole for the oil drain screw on the crank case cover.

**4. DESCRIPTION OF THE CONTROL PANEL**



The control panel consists of:  
 - DSE4420 control module (1)  
 - Emergency stop (2)



The control panel consists of:  
 - Relay 12V/70A (EP30DE/44TDE) + relay 12V/30A (A)



- Contact switch with 3 positions "REMOTE AUTO START/OFF/MAN START" with removable key. In position "MAN START" you cannot start the generating set through a remote switch. To start through a remote switch, put the key in position "REMOTE AUTO START".
- Red button: failure button (EP30DE/44TDE) (4)
- Pilot lamp yellow: failure button (EP30DE/44TDE) (5)
- Sockets (6):
  - EP30DE: 1 x schuko 16A 230V + 1 x 3p CEE 63A 230V
  - EP34TDE: 1 x 3p CEE 63A 230V + 1 x 5p CEE 63A 400V
  - EP44TDE: 1 x 3p CEE 63A 230V + 1 x 5p CEE 63A 400V
- Thermal-magnetic protections (B)
- Earth leakage protection (earth pin included) (C)
- 12V fuse 50A (start circuit) + 100A (Kubota glow relay) (D)
- ECU (Electronic Control Unit) (EP30DE/44TDE) (E)
- Relay 12V/100A (Kubota glow relay) (EP30DE/44TDE) (F)
- 230V AC fuses 2A (3x) (G)
- 12V fuses 5A and 15A (EP30DE/EP44TDE) + 5A and 40A (2x) (EP34TDE) (H)
- Connector remote control (I)

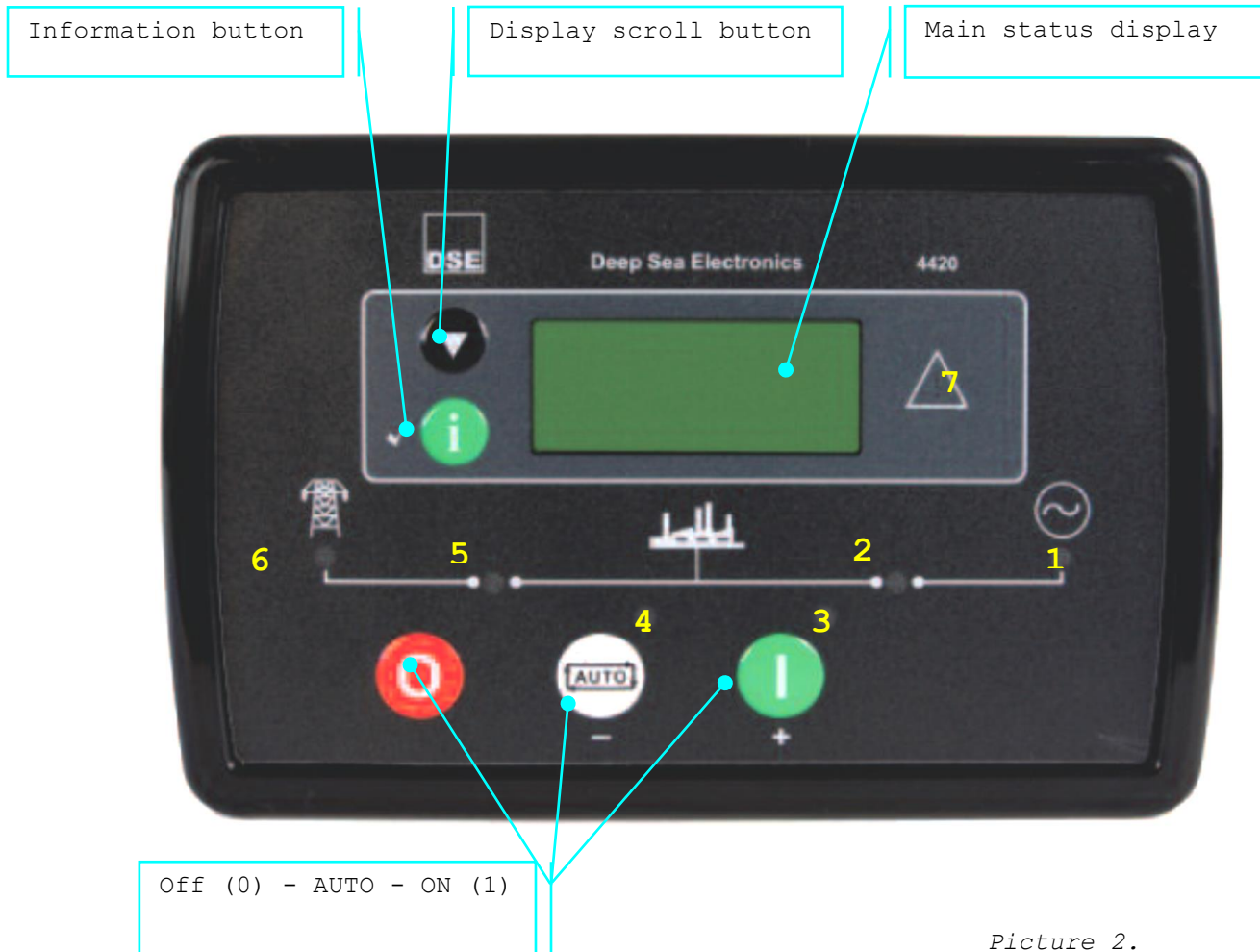
On the control panel of the EP30DE/EP34TDE/EP44TDE there is space left for the optional mounting of:

- 1 frequency meter and 3 amp. meters (for the EP30DE 1 amp. meter)
- modular insulation protection control relay (instead of earth leakage protection)

For generating sets with options (e.g. volt meter selector switch (not for EP30DE), automatic start/stop system, star-delta switch (not for EP30DE) ...) there can be small differences! Please contact your dealer for info on parts for these options. Other options are only possible if mounted when generator is being built, not afterwards.

4.1. Nr. 1: Control module DSE4420 with key switch:

Below you can find a short explanation about the DSE4420 control module.




Picture 2.

Description LED lights 1 to 7 (Picture 2) on DSE4420 control module.	
Nr.	Description
1	Red LED lights up when output voltage of generating set is available.
2	Red LED will light up together with LED 1 when generating set is connected to the load.
3	Red LED will light up after you pressed the green button "I".
4	Red LED will light up when the control module is in AUTO mode.
5	(optional) Red LED will light up when mains is connected to the load.
6	(optional) Red LED lights up when mains is available.
7	Red LED, warning/alarm indicator. This LED will light up when the DSE4420 has detected a warning or an alarm.

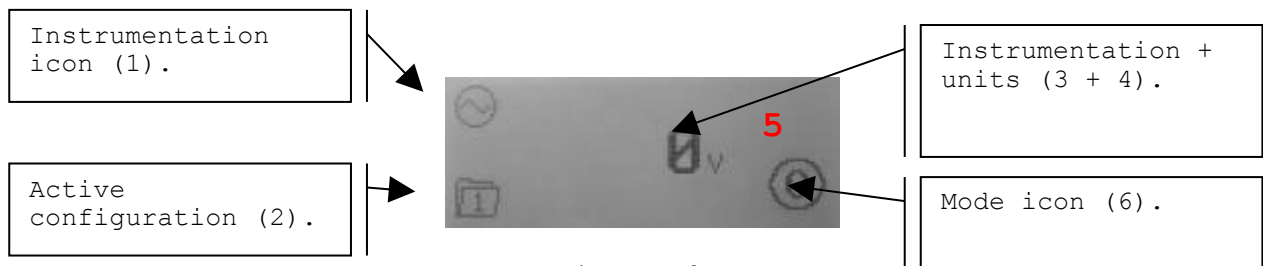
- **Remark: The generating set can be started in two ways:**
  - o 1. With the key switch (item 3, Picture 17) in position "MAN START". In this position you should press the green button "I" once to start the generating set. Automatic starting trials (maximum 9) will be executed. In position "MAN START" the generator cannot be started via an external contact remotely. To do this, you have to put the key switch in position "REMOTE AUTO START".

- o 2. With the ignition key in position "REMOTE AUTO START". The generating set can be started via an external contact at a distance. The generating set itself will also undertake maximal 9 attempts to start. LED (Nr.4) next to the "AUTO" button will light up as soon as the "AUTO" mode has been activated.
- The generating set can be stopped (with the ignition key in position "MAN START") by pressing the red button "0" once. Do not forget to turn the key switch to position "0". By doing so, you cut off the power supply from the DSE4420 control module.
- With the key switch in position "REMOTE AUTO START", the external contact will give a signal to the DSE4420 control module to stop the generating set. The generating set can be stopped as well by pressing the red button "0" in "AUTO" mode.



- By pressing the scroll button  you can browse the following parameters:
  - o Check voltage between phase and zero and between phases (not for EP30DE)
  - o Frequency
  - o rpm
  - o running hours of the generating set
  - o battery voltage
  - o 24h clock (automatic reset when voltage is taken away from DSE4420).
- Views on status display: the status display is divided in following subareas:




<b>1</b>	<b>3</b>	<b>4</b>	<b>5</b>	<b>6</b>
	Inst. icon	Instrumentation	Units	Alarm icon
<b>2</b>	Active config /FPE, event index	Instrumentation	Units	<b>6</b>
		Instrumentation	Units	<b>5</b>



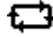
Picture 3.

- o Measured value icon

Icon	Graphic	Details
Generator		Generator voltage and Hz.
Engine speed		Engine speed (only with electronic speed governor EDC4).
Hours run		Engine running hours.
Battery voltage		Measured battery voltage.

Engine temperature		Measured cooling water temperature.
Oil pressure		Measured oil pressure.
Event log		Appears when the event log is being displayed.

o Mode icon:

Icon	Graphic	Details
Auto		Appears when the engine is at rest and the unit is in auto mode.



By pushing the button (information), you can switch from the parameter screen to the event log.

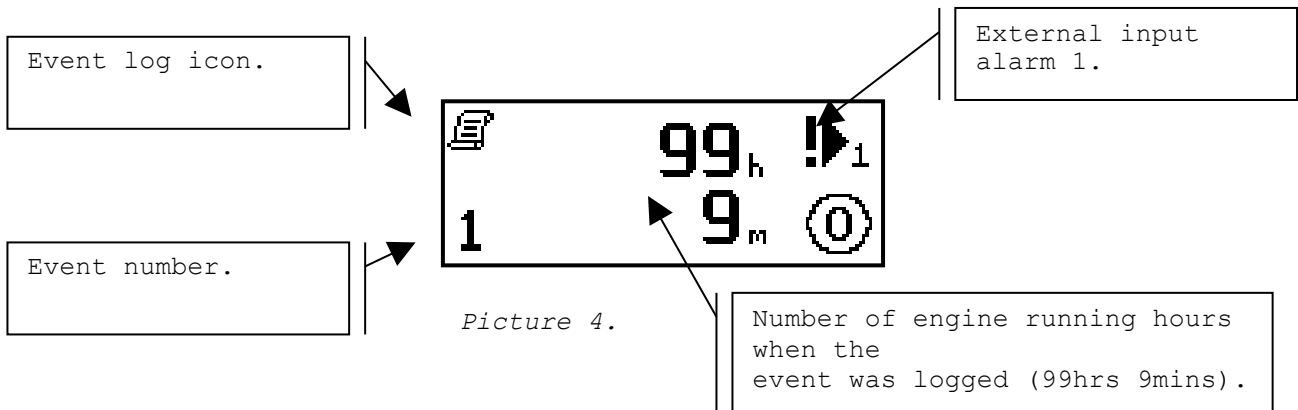


By pushing the button you go back to the previous screen. The most recent event is shown first. When you switch from parameter screen to event log, it is always the most recent event which is shown first.




In the left corner underneath the event log screen, you can see the number of the event which is shown on the screen.










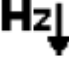




Only the last 5 events are saved in the DSE4420 module.

Example of engine stop alarm displayed on event log screen:


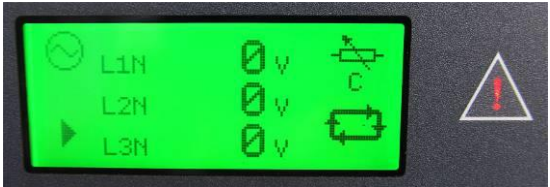


- When there is a warning/alarm, the indicator led will light up. The general status screen will show one of the icons from the table underneath. When there are multiple alarms, they are shown alternatively on the status screen.

Icon	Description	
	External input alarm	Auxiliary Digital inputs can be user configured as Digital inputs and will display the relevant icon.
	Fail to start	The engine doesn't start after maximum 9 starting attempts.
	Fail to stop	The module has detected a condition that indicates that the engine is running when it has been instructed to stop.

	Low Oil Pressure Warning	The module detects that the engine oil pressure has fallen for more than 10 sec. below the low oil pressure alarm setting level.
	High Coolant Temperature Warning	The module detects that the engine coolant temperature has exceeded for more than 10 sec. below the high engine temperature alarm setting level.
	Under speed warning (only for electronic speed governor - EDC4)	The engine speed has fallen for more than 10 sec. below the underspeed alarm setting.
	Over speed warning (only for electronic speed governor - EDC4)	The engine speed has risen above 1710rpm.
	Charge alternator failure	The charge alternator voltage is to low, measured on the L/D+ connection on the alternator. De used values are: <b>6V</b> (12V system) / <b>12V</b> (24V system).
	Low fuel level sensor	<b>Only on 24V system.</b> The low fuel level sensor has detected that the fuel level has fallen below a pre-set value. Still 10% of the fuel tank is filled. The generating set will not be shut down.  On 12V system, the orange lamp on the fuel level meter (item 4, Picture 15) will light up.
	Battery low/high voltage	The battery voltage is to low/high following a pre-set value. Under voltage: 12V > 1min. / 24V > 1min. Over voltage: 14,6V > 1min. / 29,2V > 1min.
	Alternator low voltage shutdown	The alternator output voltage has fallen for more than 10 sec. below the pre-set alarm setting.
	Alternator high voltage shutdown	The alternator output voltage has risen for more than 10 sec. above the pre-set alarm setting.
	Under Frequency Shutdown	The alternator under frequency has fallen for more than 10 sec. below the pre-set alarm setting.
	Over Frequency Shutdown	The alternator over frequency has risen for more than 10 sec. above the pre-set alarm setting.
	Emergency Stop	The emergency button is pushed in. This is a failsafe (normally closed to battery negative) input and will immediately stop the generating set should the signal be removed from digital input A.  <b>PAY ATTENTION: The emergency stop negative signal must be present at digital input A on the module DSE4420, otherwise the generating set will shut down.</b>
	CAN ECU Data fail (only for electronic speed governor - EDC4)	The module is configured for CAN operation and does not detect data on the engine Can data link, the engine shuts down.
	CAN ECU Shutdown	The engine ECU has detected a shutdown

	warning/alarm ( <b>only for electronic speed governor - EDC4</b> )	alarm/warning and has informed the DSE4420 module of this situation. The exact error is also indicated on the DSE4420 module's display.
--	--	---

Error report on main status display	Description
<p>Low fuel level switch</p>  <p>Picture 5.</p>	<p>When the fuel tank level is under the minimum level for more than 5 sec., the DSE4420 module will shut down the generator automatically. The error code as shown on the left will appear together with a red exclamation mark. You need to refuel before starting again. In case you start without refueling, the generator will automatically stop after 7 seconds.</p>
<p>Low coolant level switch.</p>  <p>Picture 6.</p>	<p>When the level of the cooling liquid goes below the minimum level for more than 5 seconds, the DSE4420 module will turn off the engine. The error code as shown on the left will appear together with a red exclamation mark. You need to refill the cooling liquid before starting again. In case you start without refueling, the generator will automatically stop after 7 seconds.</p>

- You have to differentiate between warnings and critical alarms.
  - o Warnings: will not affect the operation of the generating set. They serve to draw the operator's attention to an undesirable condition. Warnings will not stop the engine. The following warning can occur:
    - Engine alternator charge failure
 You can eliminate the warning by switching the OFF-ON button to the OFF position, and by switching it back to the ON position after a few seconds.
  - o Critical alarms: will stop the engine and will draw the operators attention to an undesirable condition. These critical alarms have to be examined and have to be solved. Afterwards the DSE3110 module has to be reset. The following critical warnings can occur:
    - Low oil pressure
    - High engine temperature
    - Generator under voltage
    - Generator over voltage
    - Generator under frequency
    - Generator over frequency
    - Emergency stop
    - Low fuel level
 You can eliminate the critical warning by switching the OFF-ON button to the OFF position, and by switching it back to the ON position after a few seconds.
- When you start the generator through the green button "I" or through an external contact (remote), the DSE4420 module will start its program. The DSE4420 module will first check whether there are critical alarms or not. During this process you can see the following moving icon:





Picture 7.

- The DSE4420 module executes a maximum of 9 starting attempts.
- When there are no alarms after starting the generator, the display will show the icon of a moving engine underneath:



Picture 8.

#### 4.2. Thermal magnetic protections:

Each socket is protected separately. See electrical scheme.

- on the type indication plate of the generator you can find more information about the power/maximum admissible charging current of the generator.
- in case of overload, the thermal-magnetic protection in the control panel shall be switched off after a short period of time. Check the load, reduce it if necessary and switch on the thermal-magnetic protection again.

in case of short-circuit, the thermal-magnetic protection will switch off immediately! Check what caused the short-circuit and switch on the protection again afterwards.

#### 4.3. Earth leakage protection:

The earth leakage protection cuts a circuit automatically in case there is a leakage between phase and earth during a preset time.

The earth leakage protection protects people (users) against electric shocks when they are in direct contact. For more explanation in relation to the earth leakage breaker and settings we refer to chapter 5.8. Safety for the users.

#### 4.4. Connector remote control:

This standard 4 pole connector (on picture 1) can be used to start the generator from a distance. Turn the screw cap loose and connect the male connector (supplied loose) to the female connector.

### **5. USE OF THE GENERATING SET**

**CAUTION!** The generating sets EP30DE/34TDE/44TDE are equipped with a 12V electric fuel pump. This pump may not "run dry". If the engine stops because of fuel deficiency, turn the contact key to position "OFF" as fast as possible.

#### 5.1 Before starting:

- Check the oil level.
- Check the fuel level.
- Check the coolant level in the expansion tank.
- Make sure the emergency stop is unlocked.
- Make sure the charge is disconnected.
- Make sure the fuel cock is open. You can find this fuel cock on the water separator.



OPEN



CLOSED

### 5.2. Starting the generating set:

- Starting on the generator itself:
  - o Put the 3-position key switch in position "MAN START".
  - o Push the green button "I" on the control module DSE4420.
  - o The control module DSE4420 will start the engine automatically (maximum 9 starting attempts).
- Starting via an external contact (at distance):
  - o Make sure that the remote control connector (item 9, Picture 15) is connected.
  - o Put the 3-position key switch in position "REMOTE AUTO START".
  - o The control module DSE4420 will start the engine automatically (maximum 9 starting trials).
  - o Let the engine warm up for a couple of minutes before charging the generating set.
  - o Connect the charges.

### 5.3. Charging the generating set:

- Let the engine run for 5 minutes to warm up before charging.
- On the type label of the generating set you can find the current data/ admitted power charge of the generating set.
- In case of overload, the thermal-magnetic protection, mounted in the control panel, shall switch off after a short time. Check and reduce the charges if necessary. Switch on the protection afterwards.
- In case of short-circuit, the thermal-magnetic protection shall switch off immediately! Try to find out the cause of the short-circuit. Switch on the protection afterwards.
- Never let the diesel engine run for a long time (= more than 30 min.) at no load or at a very low load (<15%). This can damage the engine severely.
- Check the voltages, frequency and currents regularly.

### 5.4. Stopping the generating set:

- Disconnect the charge.
- Before stopping the generating set, let the engine run for a few minutes at no load to cool down.
- Stopping on the generator itself:
  - o Stop the generating set by pressing the red button "0" on the DSE4420 control module once.
  - o Put the key switch with three positions in position "0" when the generating set has stopped.
- Stopping via an external contact (at distance):
  - o The external contact will give a signal to the DSE4420 control module to stop the generating set when the key switch is in position "REMOTE AUTO START". The generating set also can be stopped in position "AUTO" through the red button "0".

## 5.5. Cooling:

- Make sure the aspiration of cooling air by the engine and alternator is not obstructed.
- Make sure the warm engine and alternator cooling air and the exhaust gases can be adrifted freely.
- Make sure the generator operates in a well-ventilated room!

## 5.6. Protections:

- Engine: low oil level protection, cooling water temperature protection, overspeed, low battery charging current and starting protection.
- Alternator: thermal-magnetic protection and earth leakage protection.

## 5.7. Maintenance (see also chapter 10):

All maintenance points (air filter, oil drain, oil fill cap, oil filter, fuel filters/water separator, radiator filler cap, expansion tank) are very good accessible. For normal maintenance activities, check the engine manual. In case of engine or alternator defect, consult your EUROPOWER dealer.

## 5.8. Safety for the users:

The standard version of the generating set is delivered with earth leakage protection and thermal-magnetic protection and is connected following the IU electrical scheme.

This means that for connection of charges class 1 (charges with earth) and for charges class 2 (charges with double insulation, to be recognized by the "double square" pictogram on the machine) there is no limitation in the quantity of charges connected at the same time on the generating set. Contact your distributor for details on the above subject.

Still you have to respect the minimum square ( $\text{mm}^2$ ) and maximum length of the cables you are using (switching off of the thermal-magnetic protection in case of short-circuit).

**The working of the earth leakage protection can only be guaranteed if the added earth pin with 4 metres of earthing cable is connected to the generating set (see symbol 'earthing' on the generating set). The earth pin has to be drawn into the soil completely to guarantee a good functioning. The spreading resistance of the earth electrode has to be measured by a recognized organism.**

**Table: Recommendation of minimum cable section (in  $\text{mm}^2$ ) and maximum cable length (in m) in function of the current (in A):**

	<b>Cable length</b>	<b>Cable length</b>	<b>Cable length</b>
<b>Current (A)</b>	<b>0 - 50 meter</b>	<b>&gt; 50 - 100 meter</b>	<b>&gt; 100 - 150 meter</b>
6	<b>1.5mm<sup>2</sup></b>	<b>1.5mm<sup>2</sup></b>	<b>2.5mm<sup>2</sup></b>
8	<b>1.5mm<sup>2</sup></b>	<b>2.5mm<sup>2</sup></b>	<b>4mm<sup>2</sup></b>
10	<b>2.5mm<sup>2</sup></b>	<b>4mm<sup>2</sup></b>	<b>6mm<sup>2</sup></b>
12	<b>2.5mm<sup>2</sup></b>	<b>6mm<sup>2</sup></b>	<b>10mm<sup>2</sup></b>
16	<b>2.5mm<sup>2</sup></b>	<b>10mm<sup>2</sup></b>	<b>10mm<sup>2</sup></b>
18	<b>4mm<sup>2</sup></b>	<b>10mm<sup>2</sup></b>	<b>10mm<sup>2</sup></b>
24	<b>4mm<sup>2</sup></b>	<b>10mm<sup>2</sup></b>	<b>16mm<sup>2</sup></b>
26	<b>6mm<sup>2</sup></b>	<b>16mm<sup>2</sup></b>	<b>16mm<sup>2</sup></b>
36	<b>6mm<sup>2</sup></b>	<b>25mm<sup>2</sup></b>	<b>25mm<sup>2</sup></b>
50	<b>10mm<sup>2</sup></b>	<b>25mm<sup>2</sup></b>	<b>35mm<sup>2</sup></b>

**6. INCORPORATION OF THE GENERATING SET**

Consult your EUROPOWER dealer or EUROPOWER Generators.

See the "Mounting instructions" to be found with "Declaration of Incorporation according to 2006/42/EG" for generating sets that do not have the EC Declaration of Conformity IIA.

**7. PARTS LIST**

This parts list is based on the standard versions of the EP30DE - EP34TDE - EP44TDE. For generating sets with options (e.g. insulation protection, remote control, automatic start/stop system, ...) there can be small differences! Please contact your dealer for info on parts for these options.

## 7.1 GENERATOR

Article n°	Description
100002000	FUEL LEVEL METER G/LL43/435 6/4"
110000015	RUBBER DRAIN CAP RADIATOR
120140200	SILENT BLOC BRB110 M12
169850115	BATTERY CABLE + L=1150mm, 50mm <sup>2</sup> COMPLETE
169950045	BATTERY CABLE - L=450mm, 50mm <sup>2</sup> COMPLETE
169999983	BATTERY 88Ah 12V MAINTENANCE FREE
170001014	SUCTION HOSE AIR FILTER (EP30DE/44TDE)
170001015	TUBE L = 70mm, DIA.EXT.60mm
170001020	TUBE L = 150mm, DIA.EXT.60mm (EP30DE/44TDE)
170001090	SUCTION HOSE AIR FILTER (EP34TDE)
185400061	EXHAUST dia. 50/40mm/31-50HP (EP34TDE)
185400067	EXHAUST dia. 60/50mm/50-68HP (EP30DE/44TDE)
186001000	OIL DRAIN PUMP
186001001	HOSE FOR OIL DRAIN PUMP
186001005	ADAPTER M12X1.25 INSIDE → M22X1.5 OUTSIDE for 186001001
186001006	BANJO BOLT M12 * 1.25
186001007	METAL SEAL WITH RUBBER 22*29mm
201110322	LEROY SOMER ALTERNATOR LSA42.3VS3 - SYSTEM 2 (EP34TDE KU/LS2)
201110402	LEROY SOMER ALTERNATOR LSA42.3S5 - SYSTEM 2 (EP44TDE KU/LS2)
202141030	MECC ALTE ALTERNATOR ECP28-VL/4 (EP34TDE KU/MA)
202151040	MECC ALTE ALTERNATOR ECP32-3 S/4 (EP30DE/44TDE KU/MA)
301110401	KUBOTA ENGINE V3300 1500tpm (EP34TDE)
301110601	KUBOTA ENGINE V3800DIT 1500tpm (EP30DE/44TDE)
910000023	TREADED BAR M6-ZN L=240mm
910000025	U-PROFILE ALU 15*15mm L=400mm
910000242	CHASSIS
910999570	FAN PROTECTION PART 2
910999591	FILLING MATERIAL 65mm ALTERNATOR (EP34TDE KU/MA)
910999592	FILLING MATERIAL 45mm ALTERNATOR (EP34TDE KU/LS2)
910999595	FILLING MATERIAL 25mm ALTERNATOR (EP30DE/44TDE KU/MA)
910999535	ENGINE SUPPORT LEFT
910999536	ENGINE SUPPORT RIGHT
910999602	FAN PROTECTION PART 1
910999741	RADIATOR SUPPORT LEFT
910999742	RADIATOR SUPPORT RIGHT
910999810	EXTERIOR PROTECTION GRID RADIATOR
910999831	SUPPORT DIESEL PUMP
910999934	AIR FILTER SUPPORT

914000031	CONTROL PANEL EP30TDE COMPLETE
914000034	CONTROL PANEL EP34TDE COMPLETE
914000044	CONTROL PANEL EP44TDE COMPLETE
A109	DIESEL PUMP 12VDC
A172	WATER SEPARATOR
7.2	CONTROL PANEL
170000037	FUSE 40 A U/S EL CONNEX (EP34TDE)
170000038	FUSE HOLDER FOR FUSE 60/80 <sup>a</sup> (EP30DE/44TDE)
170000045	FUSE 15 A U/S EL CONNEX (EP30DE/44TDE)
170000047	FUSE 5 A U/S EL CONNEX
170000096	RELAY 12V - 70A NO (EP30DE/44TDE)
170000099	RELAY 12V - 30A MAKE-AND-BREAK CONTACT
170000156	FUSE 50A U/S EL CONNEX (EP30DE/44TDE)
170000157	FUSE 100A U/S EL CONNEX (EP30DE/44TDE)
170000250	RAIL CLAMP FOR FUSE US-EL C. 1-40A
170000251	COVER PLATE FOR RAIL CLAMP 170000250
174001350	DIN RAIL L = 350mm
175001026	CANOPY 500x400x155mm
180000000	SCHUKO SOCKET (EP30DE)
180995000	FUSEHOLDER FOR FUSE 180995001
180995001	FUSE 2A FOR FUSEHOLDER 180995000
180999900	RAIL CLAMP SPRING PRESSURE 0.5 - 4mm <sup>2</sup>
180999901	RAIL CLAMP SPRING PRESSURE 1.5 - 6mm <sup>2</sup>
180999915	BRIDGE (2-way) INSULATED FOR 180999900
180999918	BRIDGE (2-way) INSULATED FOR 170000250
180999995	RAIL CLAMP 35mm <sup>2</sup> EARTHING
180999999	RAIL CLAMP 35mm <sup>2</sup> (EP30DE)
181000000	RAIL CLAMP 6mm <sup>2</sup>
181000002	RAIL CLAMP 10mm <sup>2</sup> (EP30DE/44TDE)
181000003	RAIL CLAMP 16mm <sup>2</sup> (EP30DE/44TDE)
181000008	END CLAMP for DIN RAIL
181001016	THERMAL-MAGNETIC PROTECTION 2P 16A C-characteristic (EP30DE)
181001032	THERMAL-MAGNETIC PROTECTION 2P 32A C-characteristic (EP34TDE)
181001040	THERMAL-MAGNETIC PROTECTION 2P 40A C-characteristic (EP44TDE)
181001063	THERMAL-MAGNETIC PROTECTION 2P 63A C-characteristic (EP30DE)
181001100	THERMAL-MAGNETIC PROTECTION 2P 100A C-characteristic (EP30DE/44TDE)
181002607	LED COMPLETE 12V AC/DC YELLOW IP65 (max. 20mA) (EP30DE/44TDE)
181002632	EMERGENCY BUTTON RED
181002633	ADAPTOR
181002635	BUTTON RED (without adaptor) (EP30DE/44TDE)
181002638	SWITCH 3 POSITIONS + 2 KEYS (without adaptor)
181002639	CONTACT NC
181002640	CONTACT NO
181004032	THERMAL-MAGNETIC PROTECTION 4P 32A C-characteristic (EP34TDE)
181004040	THERMAL-MAGNETIC PROTECTION 4P 40A C-characteristic (EP44TDE)
181001124	CUT-OUT COIL FOR THERMAL PROTECTION (EP30DE)
181030363	SOCKET CEE 3P 63A 230V STRAIGHT
181030563	SOCKET CEE 5P 63A 400V STRAIGHT (EP34/44TDE)
183000009	EARTH LEAKAGE PROTECTION 4P 40A 30mA 6kA (EP34TDE)
183000022	EARTH LEAKAGE PROTECTION 4P 63A 30mA 6kA (EP44TDE)
183000040	EARTH LEAKAGE PROTECTION ADJUSTABLE 30mA-30A, 0-10 sec (EP30DE)
183000042	TOROIDAL CURRENT TRANSFORMER FOR 183000040 (EP30DE)
208000013	DEEP SEA DSE4420 ENGINE CONTROL MODULE
910999728	SUPPORT ECU (EP30DE/44TDE)
A13800003	GLOW RELAY 12V-100A FOR V3800DIT (EP30DE/44TDE)

7.3	MAINTENANCE PARTS
130000016	FUEL PRE-FILTER DIA. 8mm (11µm)
398013300	AIR CLEANER ELEMENT INNER ELEMENT
398013301	AIR CLEANER ELEMENT OUTER ELEMENT
398110000	FILTER ELEMENT for WATER SEPARATOR
398111703	FUEL FILTER ELEMENT
398213300	OIL FILTER
A13300001	VALVE COVER SEAL (EP34TDE)
A13800001	FAN BELT
A13800002	VALVE COVER SEAL (EP30DE/44TDE)

## **8. ELECTRICAL SCHEMES**

See the EUROPOWER electrical schemes and the alternator manual enclosed.

## **9. BUILDING-IN DIMENSIONS**

See enclosed drawing

## **10. MAINTENANCE**

### 10.1. Alternator:

The alternators are maintenance-free. A periodic check of the alternator is not necessary. A regular visual control of the different alternator parts - and especially of the rotor bearing - at every engine maintenance is enough.

### 10.2. Engine:

See engine manual for maintenance intervals.

- In the factory, the engine has been filled with coolant for usage up to -30°C. The specification of this coolant is BS6580/92 - SAE J1034. Only use coolant with this specification!
- In the factory, the engine has been filled with 15W40 oil (for temperatures up to -10°C). The minimum specification of this oil has to be API SJ/CF-4.
- If the ambient temperature is lower, 10W40 oil (up to -20°C) or 5W40 oil (up to -30°C) should be used. Here the minimum specification also has to be API SJ/CF-4.

## **11. TRANSPORT AND STORAGE**

To prevent fuel spillage when transporting or during temporary storage, the generator should be secured upright in its normal operating position, with the engine switch in position "OFF".

When transporting the generators:

- Close the fuel cock (if there is any)
- Do not overfill the tank (there may not be any fuel in the filler neck).
- Do not use the generator while it is placed in a vehicle.
- Take the generator off the vehicle and use it in a well-ventilated place.

Before storing the unit for an extended period (> 2 months):

- Make sure the storage area is free of excessive humidity and dust.



- For diesel generating sets it is better to fill the tank completely before storing the generating set for a long time. In this way you can avoid condensation and corrosion in the diesel tank.
- Refresh the engine oil.
- Remove the battery and connect it to a battery charger. This way you will increase the life span of the battery.

## **12. SEARCHING FOR DEFAULTS (only for EP30DE/EP44TDE)**

If the engine does not work as it should, you can look into this procedure to find and solve the problem:

### 12.1 The engine does not start:

- If the starting motor does not work:
  - a) check the battery voltage. If it is lower than 12V, replace the battery or reload it.
  - b) if the voltage is higher than 12V, check the wiring of the start relay/starting motor.
- Has the emergency stop been pulled?
- Is there sufficient fuel supply towards the injection pump?
- Does the electric fuel pump work ok? (do you feel the vibrations on the pump as it works?)
- Does the actuator work correctly? Remove the start signal of the starting engine temporarily (brown cable). After removing the actuator from the engine, put the switch with 3 positions into position "MAN START" and press the green button "V" of the DSE module. If the rod of the actuator moves smoothly, the actuator works correctly. If the rod doesn't move smoothly, then replace the actuator. After testing the start signal (brown cable) reconnect it onto the starting engine.
- Check (in case of low temperatures) whether the correct fuel for low temperatures has been used.
- Check the wiring/connection of the air heating element.

### 12.2 The engine starts but stops again:

- The blinking pattern of the yellow led can determine the error code. In point 12.5 it is explained how you have to read the blinking pattern. When it is clear which pattern it is, you can find the cause of the error and how to resolve it in the table. See point 12.5.
- Is there sufficient fuel supply? Is there sufficient fuel? (in this case the stop time is undetermined)
- Does the fuel pump work correctly?

### 12.3 The engine starts but the engine speed does not increase:

- Is there any air in the tubes?
- Connector ECU speed sensor/wiring OK?

### 12.4 The engine speed is too high immediately after the start (>1625rpm):

- Check the connector at the speed sensor. If it is loose, the real engine speed does not reach the ECU and the engine will turn at max. speed. In this case, the yellow led will blink (2 x long, 1 x short)
- The actuator possibly gets an earth signal: detach the actuator from the engine and put the 3-way switch in position "MAN START". Push the green "V" button and check whether the outgoing actuator rod moves smoothly. If the rod

does not move smoothly: replace the actuator. Reconnect the starting signal onto the starting engine (brown cable) after the test.

#### 12.5 Blinking pattern of the yellow led:

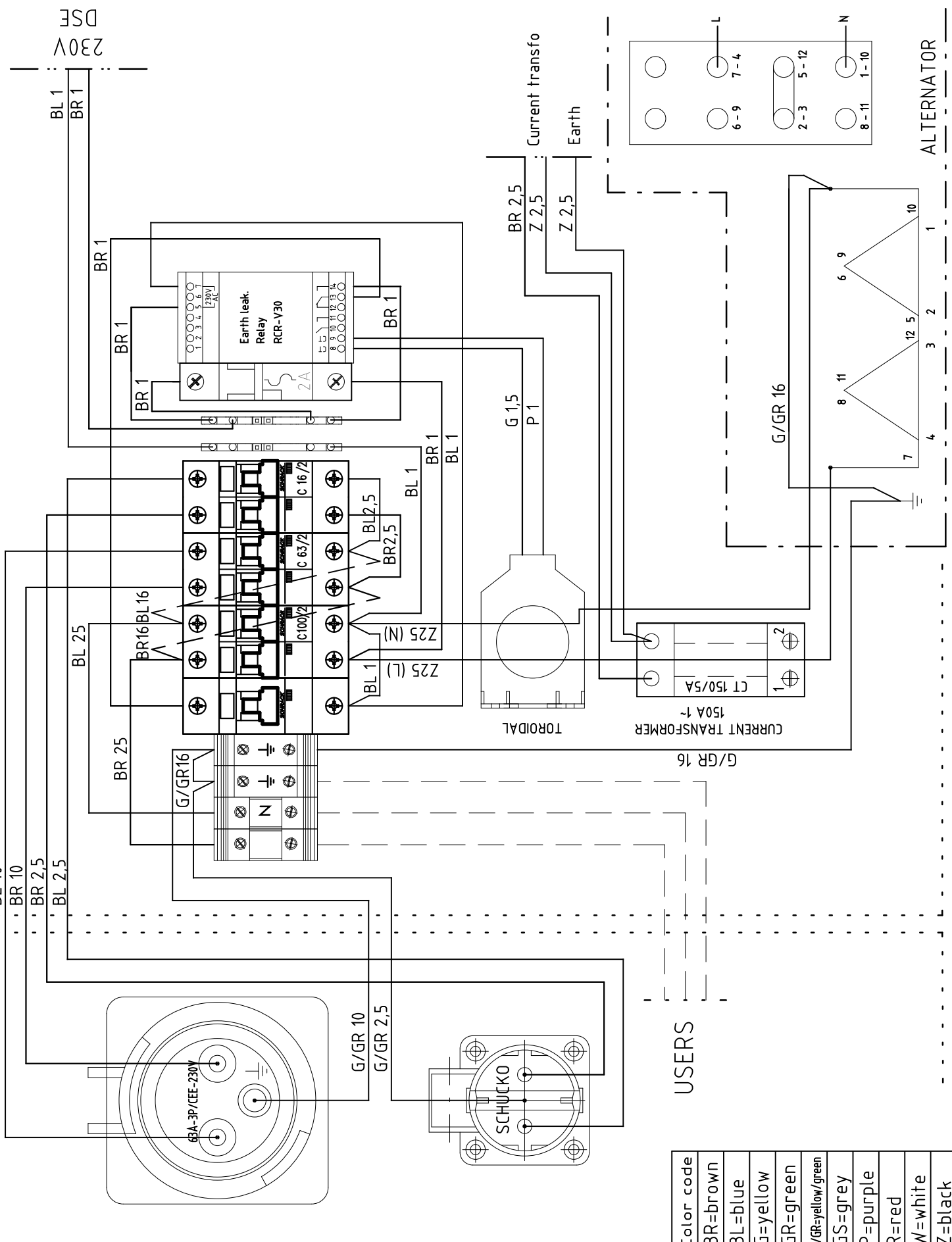
When a problem stops the generating set, an error message will appear on the DSE module. Depending the cause, this can be a wrong message and that is why it is important to follow the following procedure.

- Step 1. Investigate and solve the error message of the DSE4420 control module
- Step 2. Push the red button "0" of the DSE4420 control module to reset.
- Step 3. Push the red 'FAILURE BUTTON' and keep it pushed in during the whole procedure.
- Step 4. Push the green button "I" of the DSE4420 control module to start the generator.
- Step 5. If the ECU detects an error, the ECU will stop the generator after 10 seconds. Remark: when step 1 made the error disappear, the ECU will not stop the generating set. This also means that you do not have to carry out step 5, 6, 7 and 8.
- Step 6. The yellow led will now blink according to a certain pattern. You can find more information about these patterns in the table here beneath.
- Step 7. You may now release the red 'FAILURE BUTTON' and put the 3 way switch in position 'OFF'.
- Step 8. Solve the cause of the problem.
- Step 9. Repeat steps 2 to 8 when there are multiple problems.

Blinking pattern	Cause	Check
1x long and 1x short	Overspeed (115%)	Actuator
1x long and 3x short	12V alternator failure	12V alternator
2x long and 1x short	Failure speed sensor	Speed sensor
2x long and 2x short	Actuator malfunction	Actuator
2x long and 4x short	Disconnection of water temp. sensor	Water temp.sensor
2x long and 5x short	Water temp. sensor in short circuit	Water temp.sensor
2x long and 6x short	Disconnection of L terminal of 12V alternator	Alternator L terminal
2x long and 7x short	Battery voltage too high (>14.7V)	Battery, regulator

**Remark:**

The blinking pattern does not work when the emergency button is pressed.



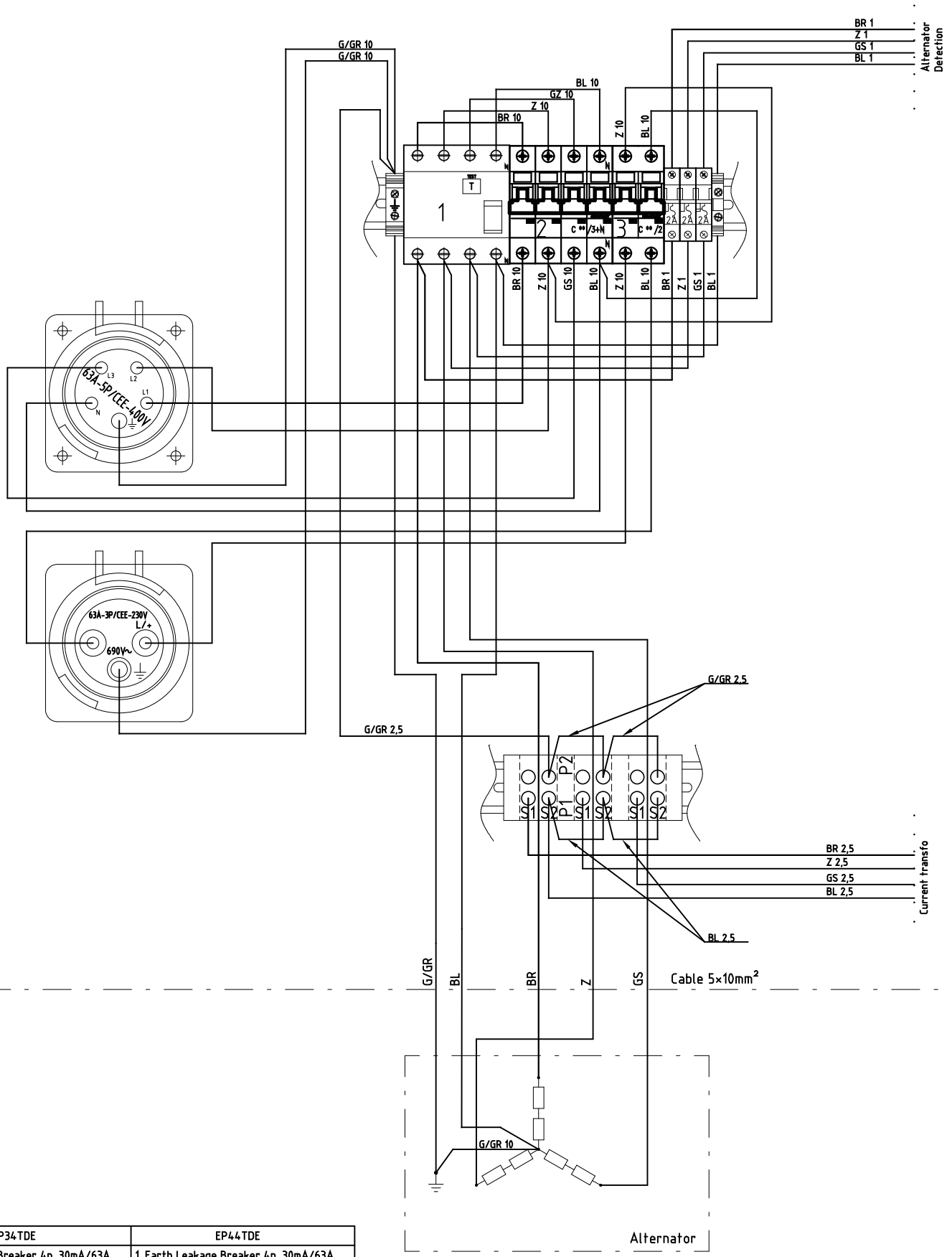
Color code
BR=brown
BL=blue
G=yellow
GR=green
G/GR=yellow/green
GS=grey
P=purple
R=red
W=white
Z=black

Directory: ..\E\EP\water\Vermogenschema\Standaard\914000031\914000031\_1.1\_01

Tolerantie: -  
Materiaal: -

# Wiring diagram 230/400V EP30DE KUMA Standard

Rev.datum : 25/08/2015  
Ontwerper(s) : HZ  
Tekenaar : HZ  
Revisor : HZ



Color code
BR=brown
BL=blue
G=yellow
GR=green
G/GR=yellow/green
GS=grey
P=purple
R=red
W=white
Z=black

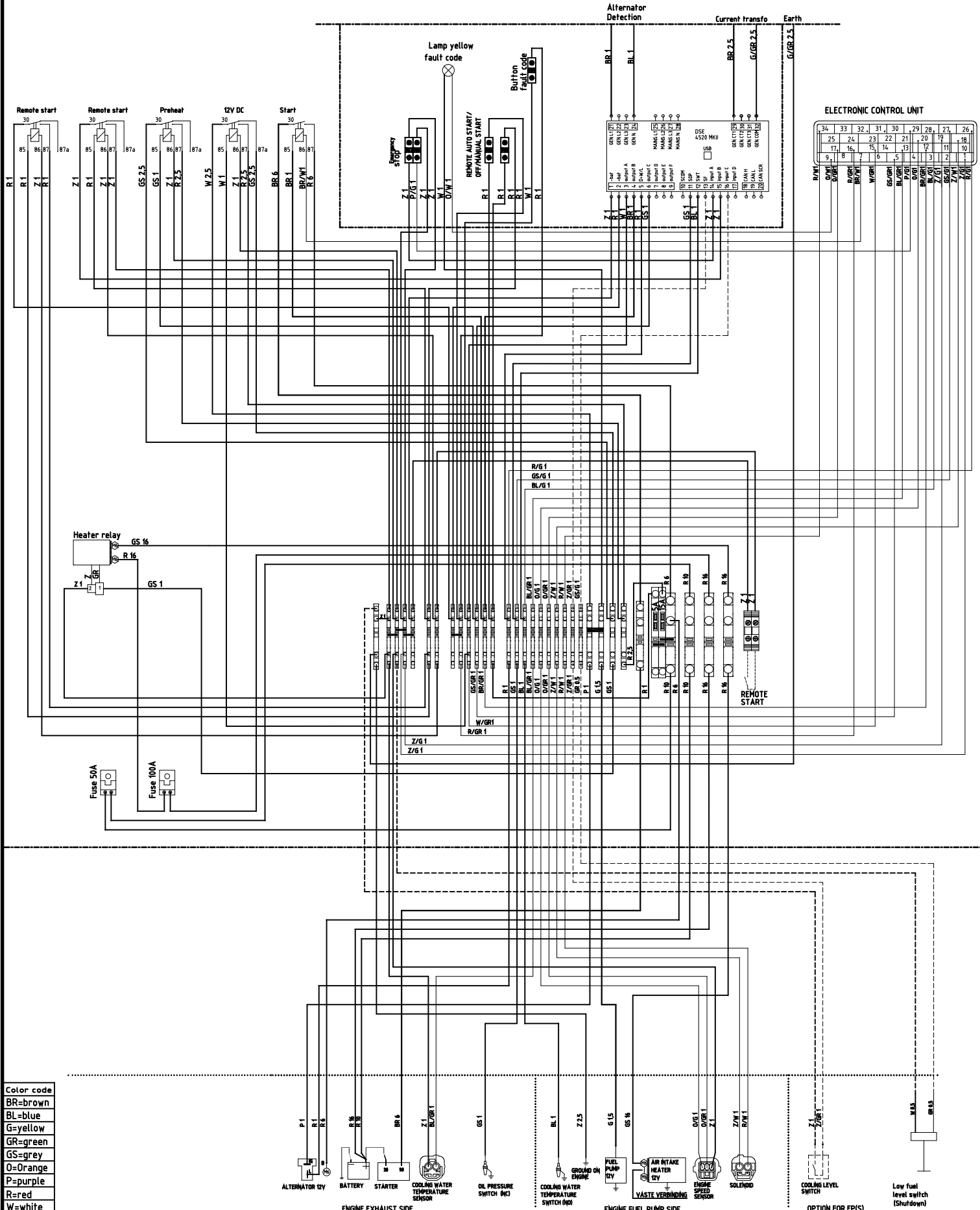
EP34TDE	EP44TDE
1. Earth Leakage Breaker 4p. 30mA/63A	1. Earth Leakage Breaker 4p. 30mA/63A
2. Therm. Magn. Breaker 4p. 32A C	2. Therm. Magn. Breaker 4p. 40A C
3. Therm. Magn. Breaker 2p. 32A C	3. Therm. Magn. Breaker 2p. 40A C

Directory: ..\E\EP\EPWATER\Vermogenschema\Standaard\914000044\914000044\_1.1\_02

# WIRING DIAGRAM 230/400V WITH EARTH LEAKAGE PROTECTION EP34TDE - EP44TDE - STANDARD

Tolerantie:	-	Materiaal:	-
Rev.datum :	20/09/2016	Ontwerper(s) :	DP
Tekenaar :	HZ	Revisor :	HZ
Goedkeurder :	BL/EC	Verzonden :	-

	A3	Schaal	-	Ontw.dos.nr.:	178	Art.nr.:	914000044		Tek.nr.:	1.1	Rev.nr.:	02
--	----	--------	---	---------------	-----	----------	-----------	--	----------	-----	----------	----



Color code

BR	=brown
BL	=blue
G	=yellow
GR	=green
GS	=grey
O	=Orange
P	=purple
R	=red
W	=white
Z	=black

Directory: ..\EXP\EPWater\Motorsturing\Standaard\914.000031\914.000031\_1.1\_02

# Wiring diagram 12V DC EP30DE Standard - DSE4520

Tolerantie:	-	Materiaal:	-
Rev.datum	: 04/10/2017	Ontwerper(s)	: HZ
Tekenaar	: SV	Revisor	: GD
Goedkeurder	: HZ/MH	Verzonden	: -

A3

Schaal -

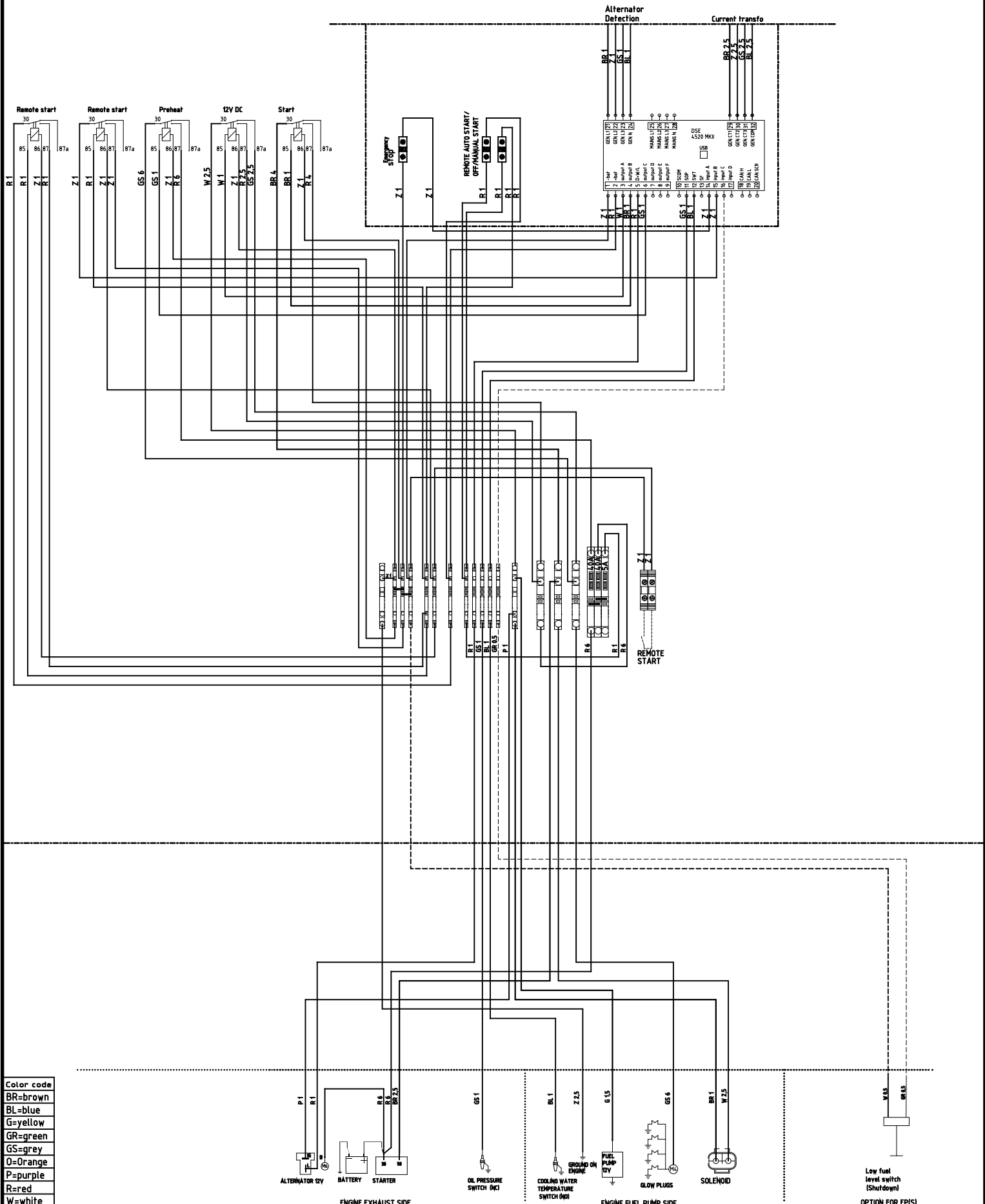
Ontw.dos.nr.: 178

Art.nr.: 914.000031



Tek.nr.: 1.1

Rev.nr.: 02



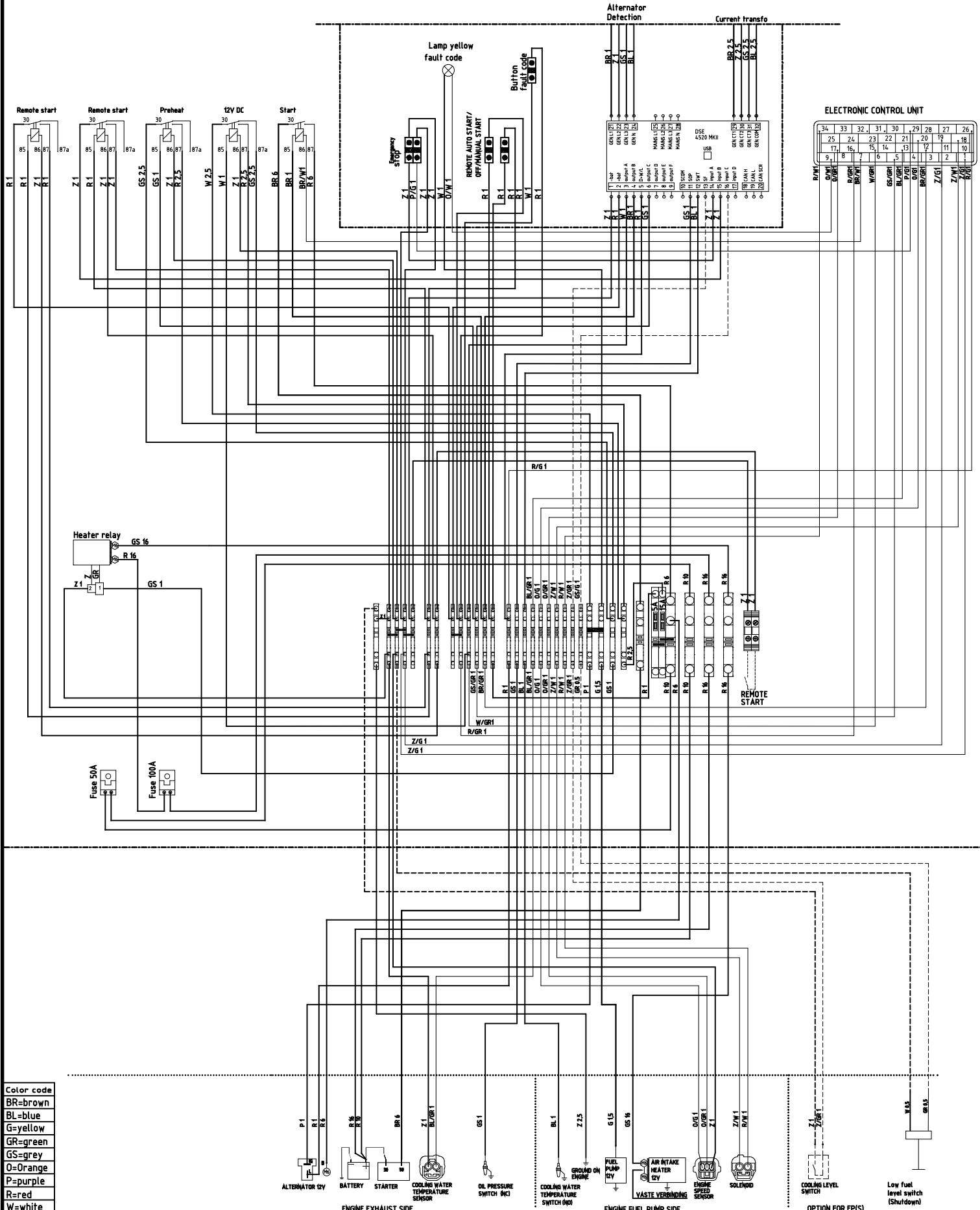
Color code
BR=brown
BL=blue
G=yellow
GR=green
GS=grey
O=Orange
P=purple
R=red
W=white
Z=black

Directory: ..\XEP\EPWater\Motorsturing\Standaard\914000034\914000034\_1.1\_04

Wiring diagram 12V DC  
EP34TDE  
Standard - DSE4520

Tolerantie:	-	Materiaal:	-
Rev.datum :	04/10/2017	Ontwerper(s) :	HZ
Tekenaar :	SV	Revisor :	GD
Goedkeurder :	HZ/MH	Verzonden :	-





Color code

BR	=brown
BL	=blue
G	=yellow
GR	=green
GS	=grey
O	=Orange
P	=purple
R	=red
W	=white
Z	=black

Directory: ..\XEP\EPWater\Motorsturing\Standaard\914.000044\914.000044\_1.1\_03

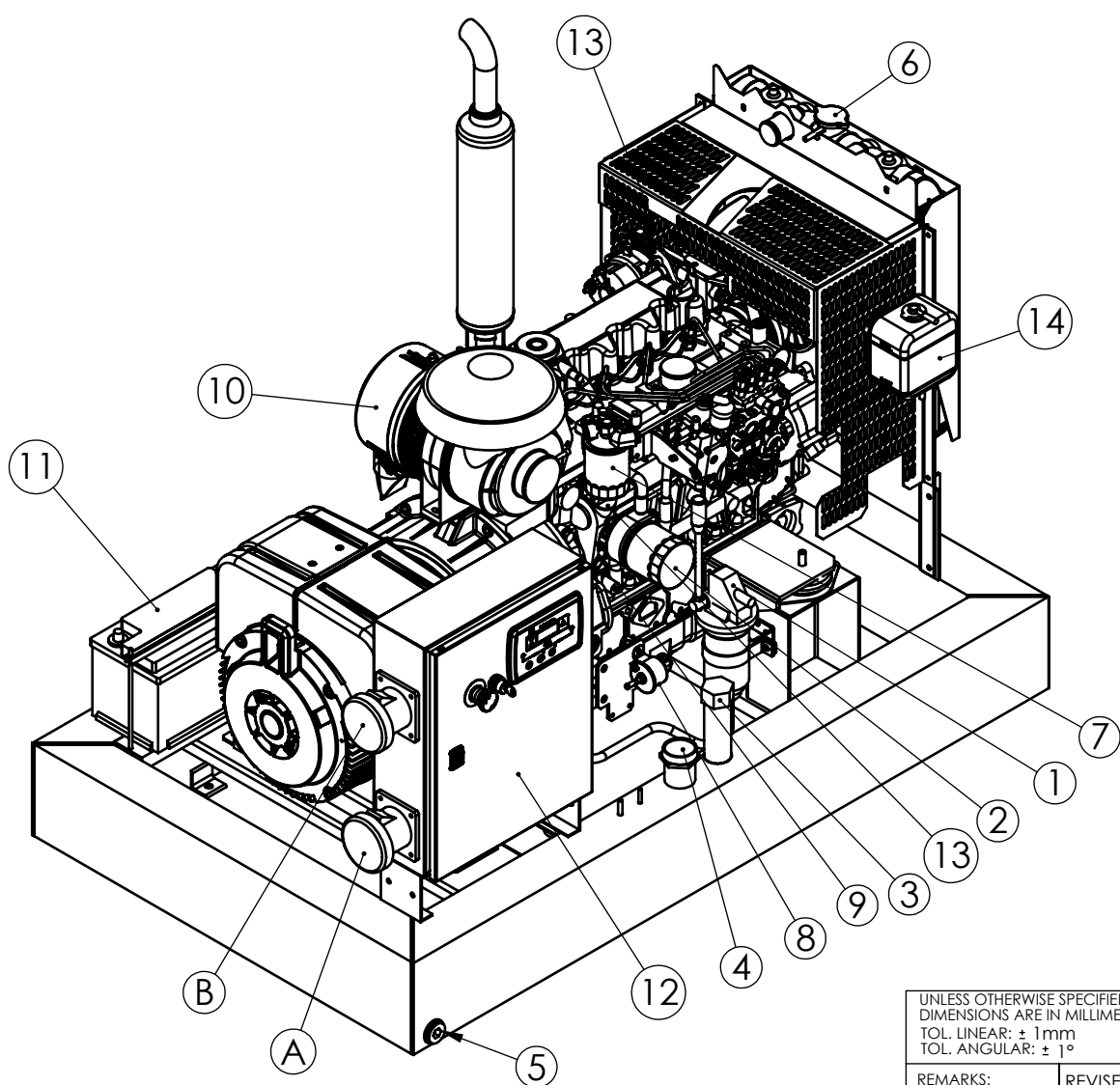
# Wiring diagram 12V DC

## EP44TDE

### Standard - DSE4520

Tolerantie:	-	Materiaal:	-
Rev.datum	: 04/10/2017	Ontwerper(s)	: HZ
Tekenaar	: SV	Revisor	: GD
Goedkeurder	: HZ/MH	Verzonden	: -

Item nr.	Nederlands	Français	English	Deutsch
1	OLIEPOMP	POMPE D'HUILE	OIL PUMP	ÖLPUMPE
2	OLIEFILTER	FILTRE D'HUILE	OIL FILTER	ÖLFILTER
3	DIESELVULDOP	BOUCHON REMPLISSAGE CARBURANT	DIESEL FILL CAP	DIESEL-FÜLLSTUTZEN
4	BRANDSTOFPEILMETER	JAUGE CARBURANT	FUEL LEVEL METER	KRAFTSTOFFUHR
5	BRANDSTOFAFLAATSTOP	BOUCHON VIDANGE CARBURANT	FUEL DRAIN PLUG	KRAFTSTOFFABLAßVERSCHLUSS
6	KOELWATERVULDOP	BOUCHON REMPLISSAGE EAU DE REFROIDISSEMENT	COOLING WATER FILL CAP	KÜHLWASSERFÜLLSTUTZEN
7	DIESELFILTER	FILTRE DIESEL	DIESEL FILTER	DIESELFILTER
8	12V DIESELPOMP	POMPE DIESEL 12V	12V FUEL PUMP	12V DIESELPUMPE
9	OLIEPEILSTOK	JAUGE D'HUILE	OIL DIPSTICK	ÖLMESSTAB
10	LUCHTFILTER	FILTRE À AIR	AIR FILTER	LUFTFILTER
11	88Ah ACCU	88Ah BATTERIE	88Ah BATTERY	88Ah AKKU
12	TABLEAU	TABLEAU DE COMMANDE	CONTROL PANEL	SCHALTAFEL
13	OLIEVULDOP	BOUCHON REMPLISSAGE D'HUILE	OIL FILL CAP	ÖL-FÜLLSTUTZEN
14	EXPANSIEVAT	VASE D'EXPANSION	EXPANSION TANK	AUSGLEICHSBEHÄLTER
A	CEE 3P 63A 230V	CEE 3P 63A 230V	CEE 3P 63A 230V	CEE 3P 63A 230V
B	CEE 5P 63A 400V	CEE 5P 63A 400V	CEE 5P 63A 400V	CEE 5P 63A 400V

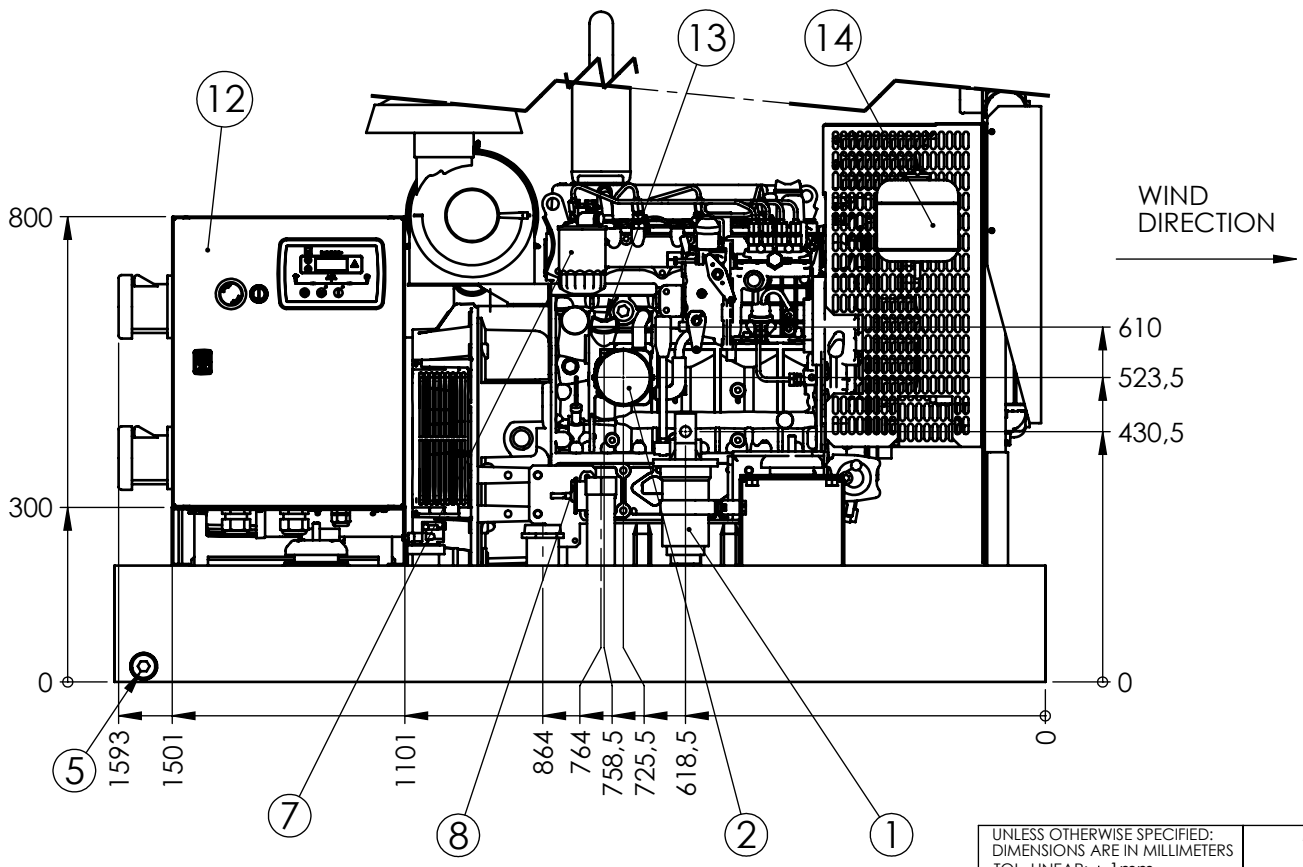
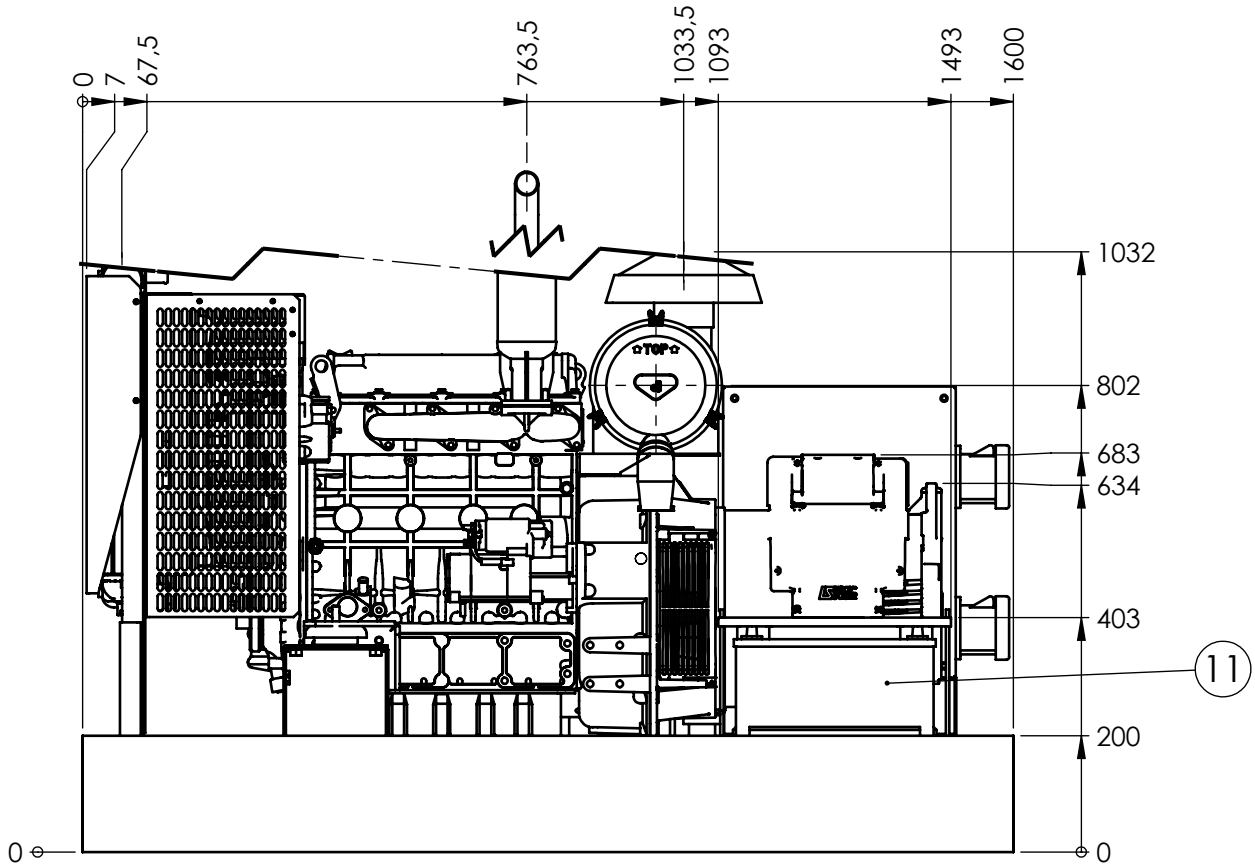


UNLESS OTHERWISE SPECIFIED: DIMENSIONS ARE IN MILLIMETERS TOL. LINEAR: ± 1mm TOL. ANGULAR: ± 1°		MATERIAL: -	
REMARKS: DEBUR AND BREAK SHARP EDGES	REVISED ON: 18/02/2015		
	SENT ON: -		
	OD.NR.: 178	DESIGN: HZ	
	A4	DRAWN: VV	
ART.NR.: 981113403	REV.NR.: 01	SCALE: 1:13	REVISED: -
<b>EUROPOWER Generators</b>		SHEET 1 OF 4	APP'VD: MH/SH

TITLE: DIRECTORY: -

**INBOUWMATEN - DIMENSIONS GENERALES -  
MAIN DIMENSIONS - EINBAU-  
ABMESSUNGEN EP34TDE KU/LS**

CUSTOMER: -  
ART.NR.: 981113403



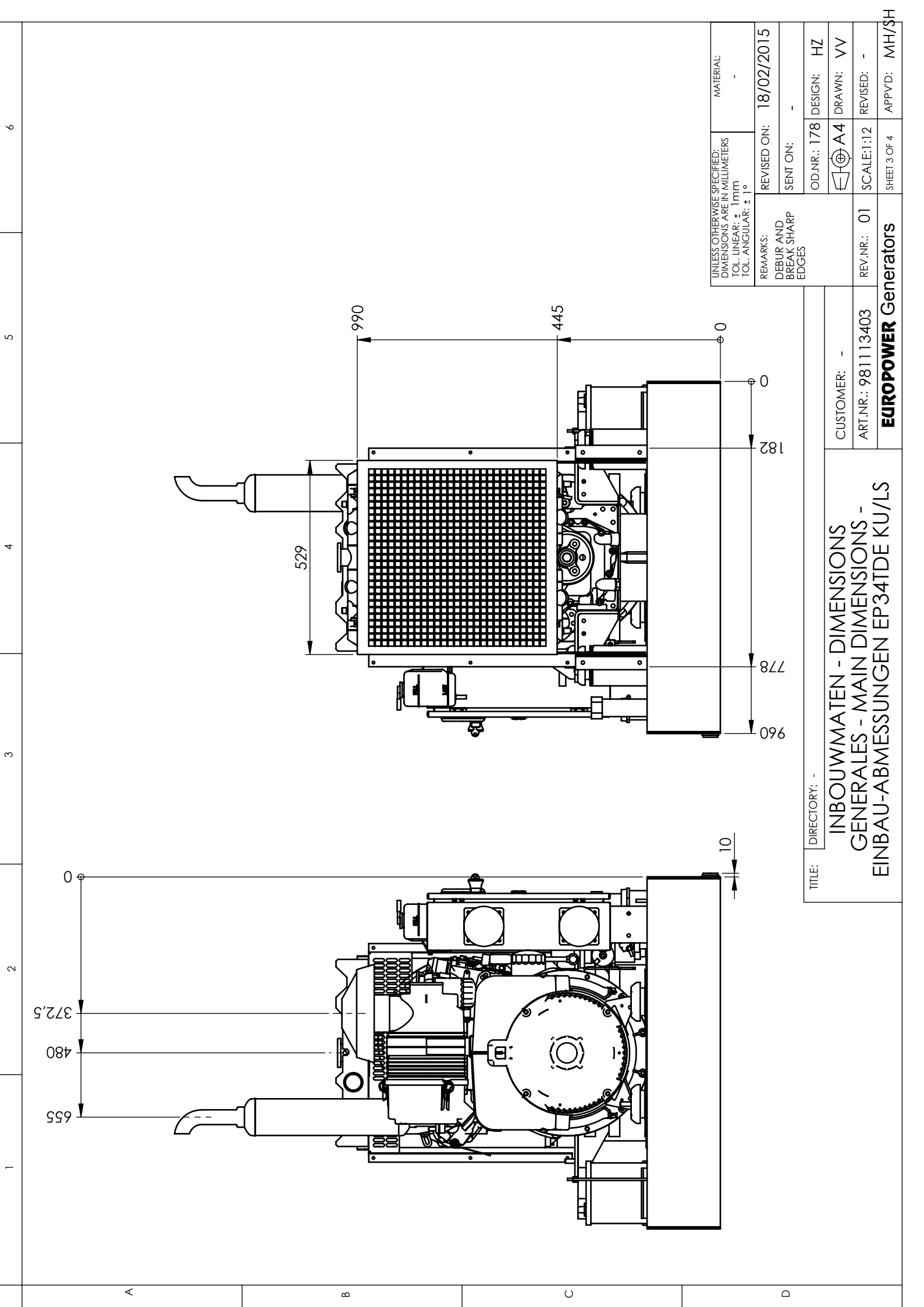
UNLESS OTHERWISE SPECIFIED: DIMENSIONS ARE IN MILLIMETERS TOL. LINEAR: ± 1mm TOL. ANGULAR: ± 1°		MATERIAL: -	
REMARKS: DEBUR AND BREAK SHARP EDGES	REVISED ON: 18/02/2015		
	SENT ON: -		
	OD.NR.: 178	DESIGN: HZ	
	A4	DRAWN: VV	
CUSTOMER: -	ART.NR.: 981113403	REV.NR.: 01	SCALE: 1:13
<b>EUROPOWER Generators</b>		SHEET 2 OF 4	APPV'D: MH/SH

TITLE: DIRECTORY: -

**INBOUWMATEN - DIMENSIONS GENERALES -  
MAIN DIMENSIONS - EINBAU-  
ABMESSUNGEN EP34TDE KU/LS**

CUSTOMER: -

ART.NR.: 981113403



655  
480  
372,5  
0

529

990

445

10

960  
778  
182  
0

UNLESS OTHERWISE SPECIFIED:  
DIMENSIONS ARE IN MILLIMETERS  
TOL. LINEAR: ± 1mm  
TOL. ANGULAR: ± 1°

MATERIAL: -

REVISED ON: 18/02/2015

REMARKS:  
DEBUR AND  
BREAK SHARP  
EDGES

SENT ON: -

OD.NR.: 178 DESIGN: HZ

DRAWN: VV

SCALE: 1:12 REVISED: -

SHEET 3 OF 4 APPVD: MH/\$H

TITLE: DIRECTORY: -

CUSTOMER: -

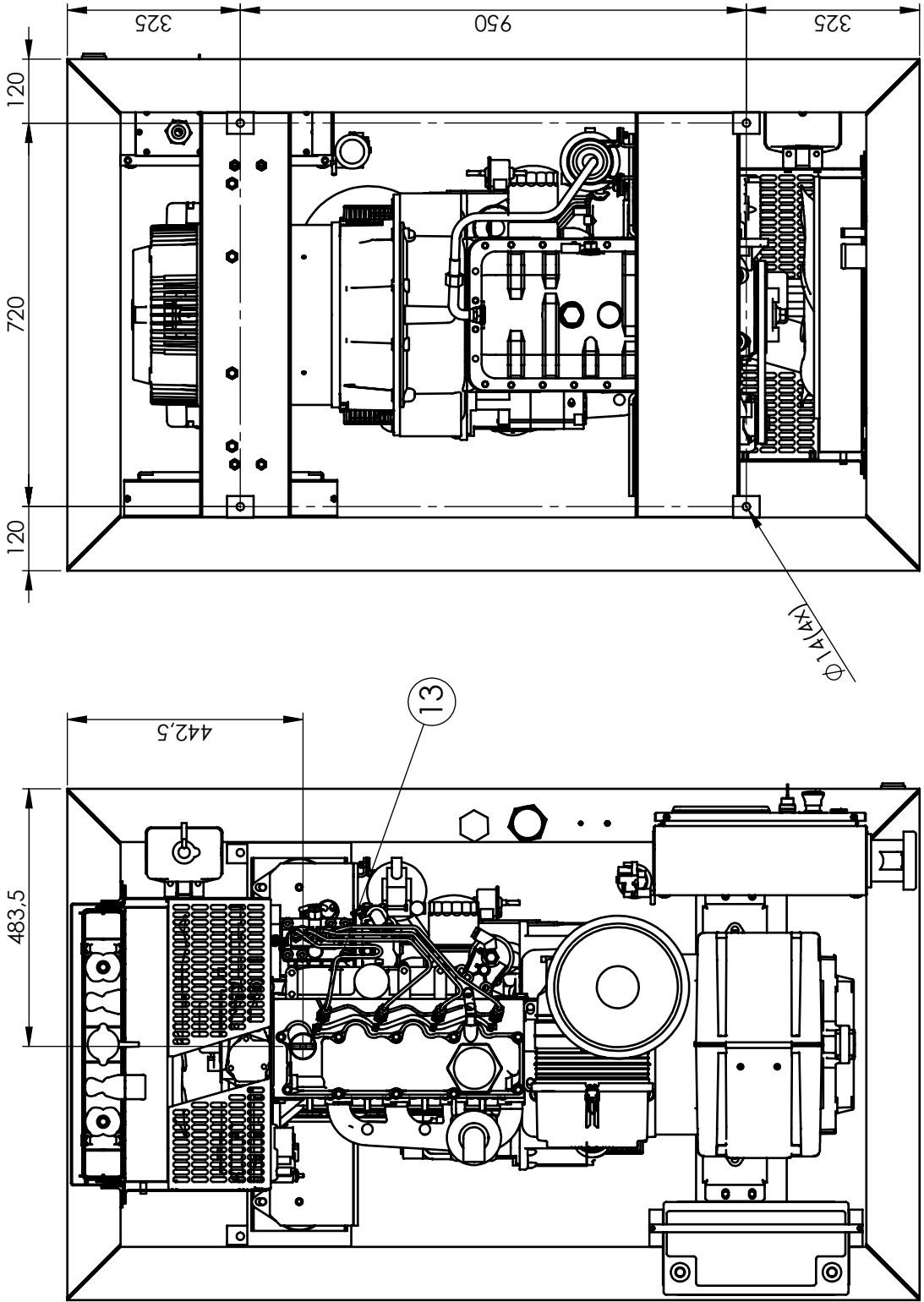
ART.NR.: 98113403

REV.NR.: 01

INBOUWMATEN - DIMENSIONS  
 GENERALES - MAIN DIMENSIONS -  
 EINBAU-ABMESSUNGEN EP34TDE KU/LS

**EUROPOWER Generators**

1 2 3 4 5 6



BEVESTIGINGSGATEN  
 TROUS DE FIXATION  
 FIXATION HOLES  
 BEVESTIGUNGSÖLCHER

TITLE: DIRECTORY: -

INBOUWMATEN - DIMENSIONS  
 GENERALES - MAIN DIMENSIONS -  
 EINBAU-ABMESSUNGEN EP34TDE KU/LS

CUSTOMER: -  
 ART.NR.: 98113403

REV.NR.: 01  
**EUROPOWER Generators**

UNLESS OTHERWISE SPECIFIED: DIMENSIONS ARE IN MILLIMETERS TOL. LINEAR: ± 1mm TOL. ANGULAR: ± 1°	MATERIAL: -
REMARKS: DEBUR AND BREAK SHARP EDGES	REVISED ON: 18/02/2015
SENT ON: -	OD.NR.: 178 DESIGN: HZ
SCALE: 1:12	DRAWN: VV
REVISION: -	REVISED: -
SHEET 4 OF 4	APPVD: MH/\$H

A

B

C

D

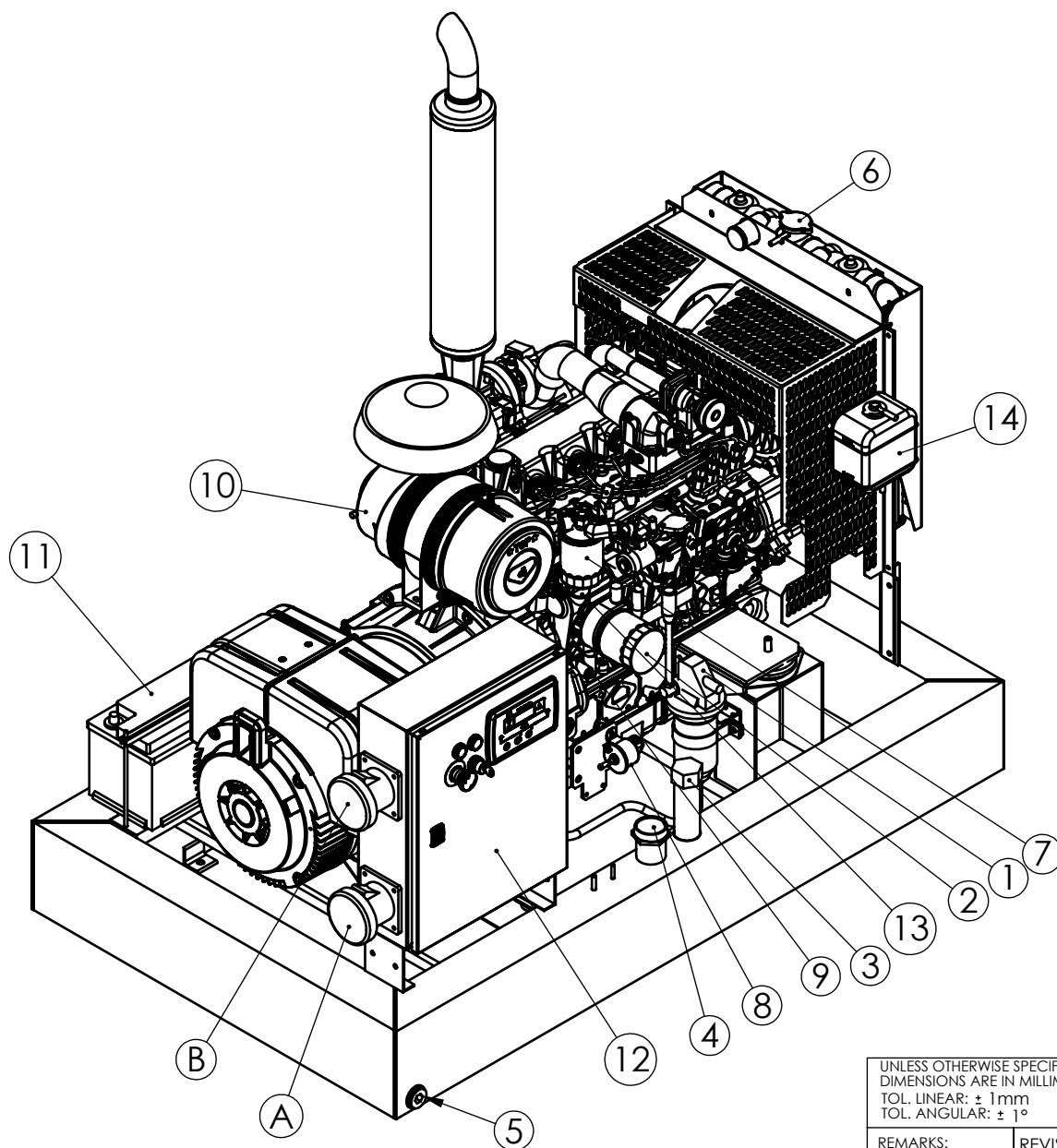
1

2

3

4

Item nr.	Nederlands	Français	English	Deutsch
1	OLIEPOMP	POMPE D'HUILE	OIL PUMP	ÖLPUMPE
2	OLIEFILTER	FILTRE D'HUILE	OIL FILTER	ÖLFILTER
3	DIESELVULDOP	BOUCHON REMPLISSAGE CARBURANT	DIESEL FILL CAP	DIESEL-FÜLLSTUTZEN
4	BRANDSTOFPEILMETER	JAUGE CARBURANT	FUEL LEVEL METER	KRAFTSTOFFUHR
5	BRANDSTOFAFLAATSTOP	BOUCHON VIDANGE CARBURANT	FUEL DRAIN PLUG	KRAFTSTOFFABLAßVERSCHLUSS
6	KOELWATERVULDOP	BOUCHON REMPLISSAGE EAU DE REFROIDISSEMENT	COOLING WATER FILL CAP	KÜHLWASSERFÜLLSTUTZEN
7	DIESELFILTER	FILTRE DIESEL	DIESEL FILTER	DIESELFILTER
8	12V DIESELPOMP	POMPE DIESEL 12V	12V FUEL PUMP	12V DIESELPUMPE
9	OLIEPEILSTOK	JAUGE D'HUILE	OIL DIPSTICK	ÖLMESSTAB
10	LUCHTFILTER	FILTRE À AIR	AIR FILTER	LUFTFILTER
11	88Ah ACCU	88Ah BATTERIE	88Ah BATTERY	88Ah AKKU
12	TABLEAU	TABLEAU DE COMMANDE	CONTROL PANEL	SCHALTAFEL
13	OLIEVULDOP	BOUCHON REMPLISSAGE D'HUILE	OIL FILL CAP	ÖL-FÜLLSTUTZEN
14	EXPANSIEVAT	VASE D'EXPANSION	EXPANSION TANK	AUSGLEICHSBEHÄLTER
A	CEE 3P 63A 230V	CEE 3P 63A 230V	CEE 3P 63A 230V	CEE 3P 63A 230V
B	CEE 5P 63A 400V	CEE 5P 63A 400V	CEE 5P 63A 400V	CEE 5P 63A 400V



UNLESS OTHERWISE SPECIFIED:  
DIMENSIONS ARE IN MILLIMETERS  
TOL. LINEAR:  $\pm 1\text{mm}$   
TOL. ANGULAR:  $\pm 1^\circ$

MATERIAL:

-

REMARKS:  
DEBUR AND  
BREAK SHARP  
EDGES

REVISED ON: 18/02/2015

SENT ON: -

OD.NR.: 178

DESIGN: HZ

A4

DRAWN: HZ

CUSTOMER: -

ART.NR.: 981114403

REV.NR.: 01

SCALE: 1:13

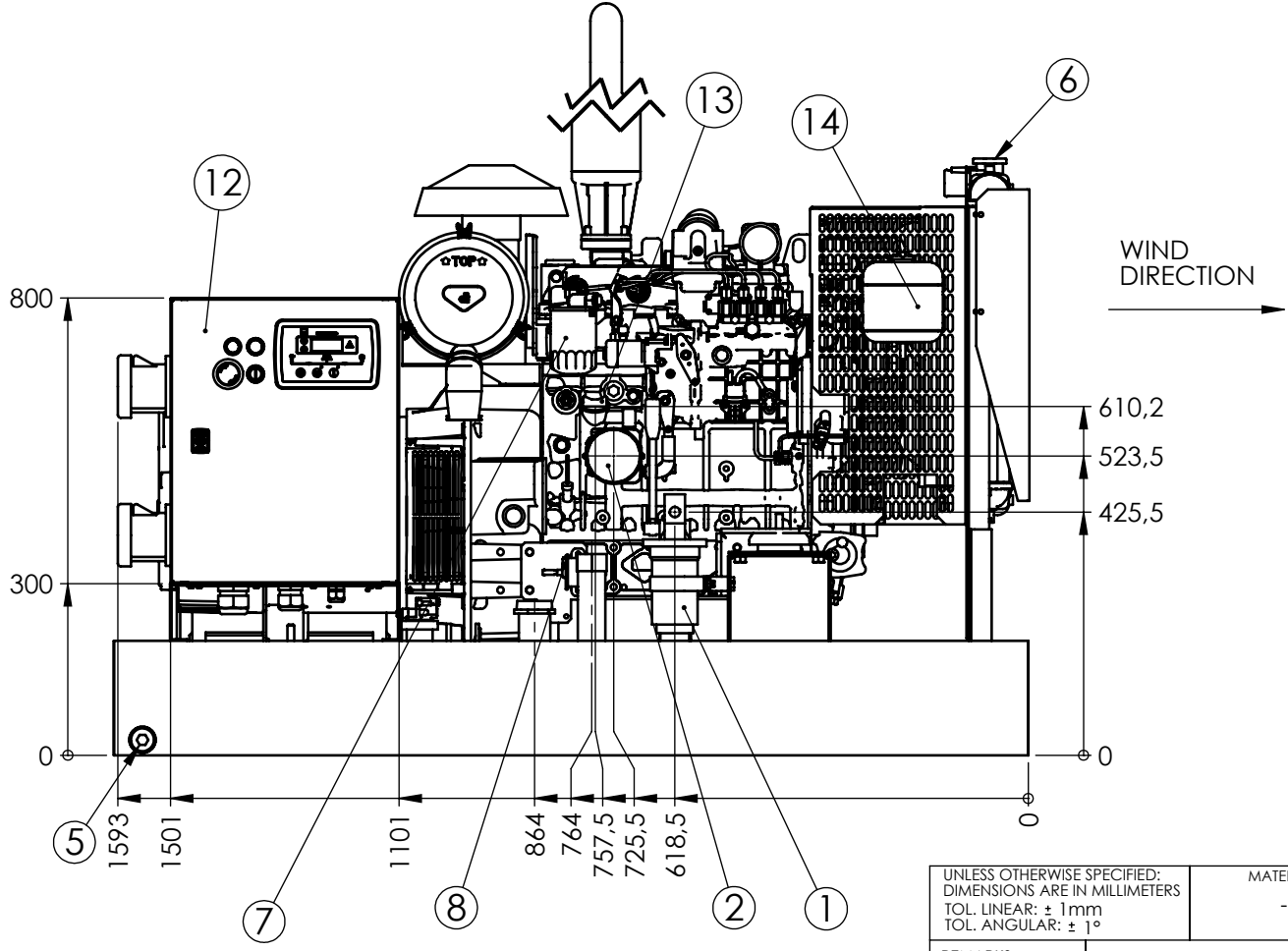
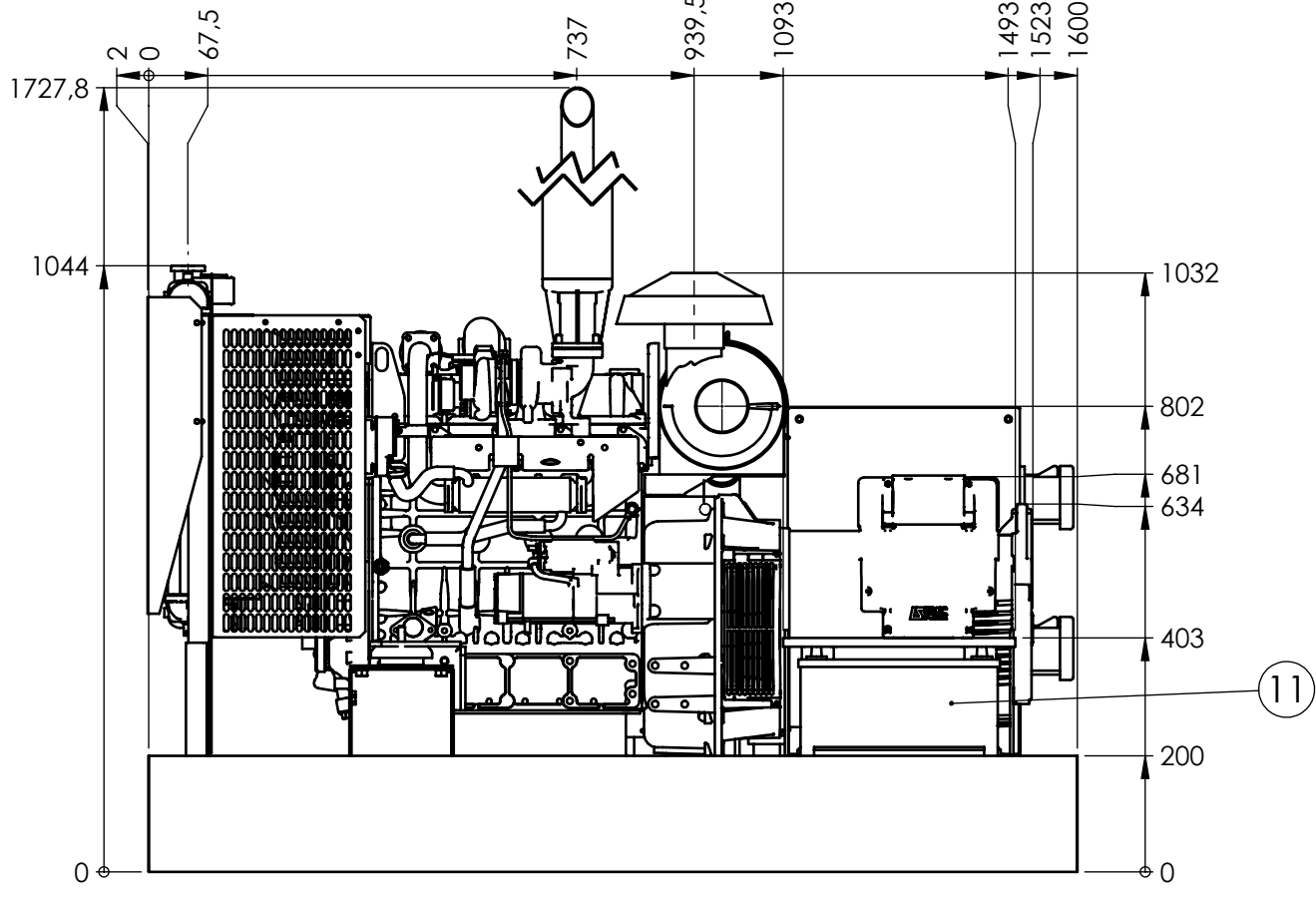
REVISED: VV

TITLE: DIRECTORY: -  
INBOUWMATEN - DIMENSIONS GENERALES -  
MAIN DIMENSIONS - EINBAU-  
ABMESSUNGEN EP44TDE KU/LS

**EUROPOWER** Generators

SHEET 1 OF 4

APPV'D: MH/SH



TITLE: DIRECTORY: -

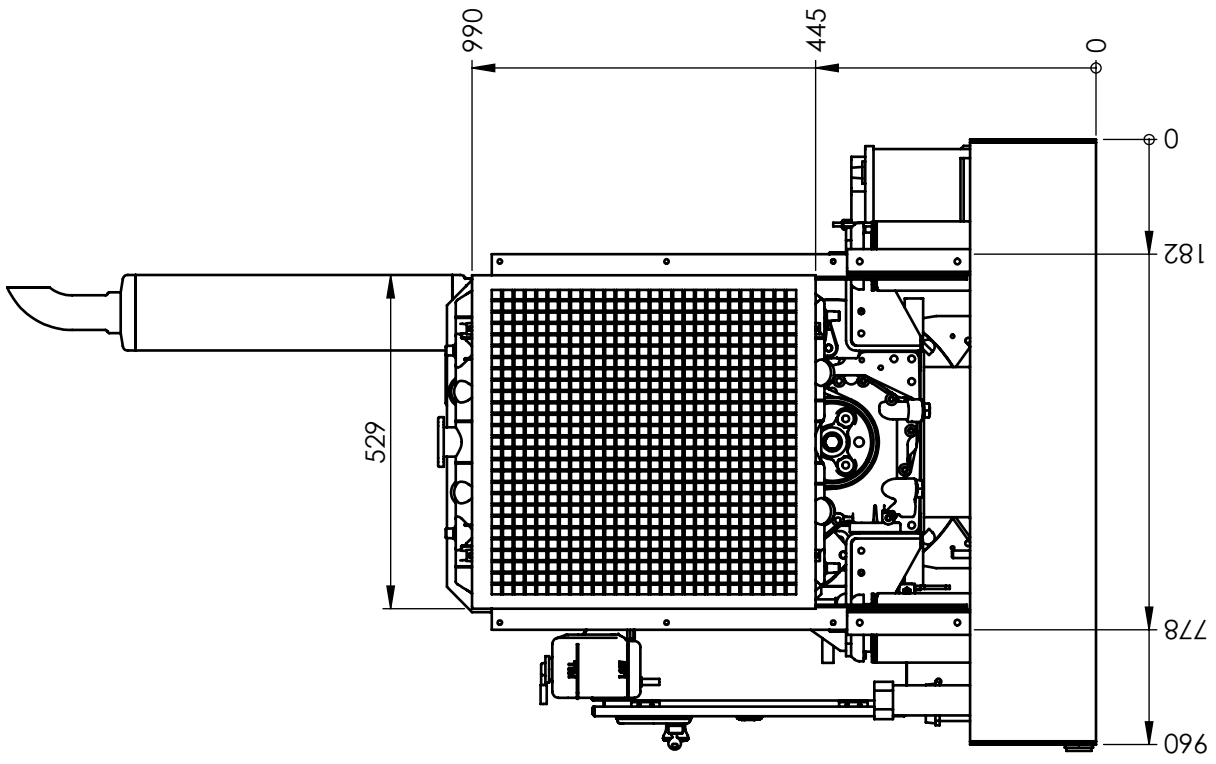
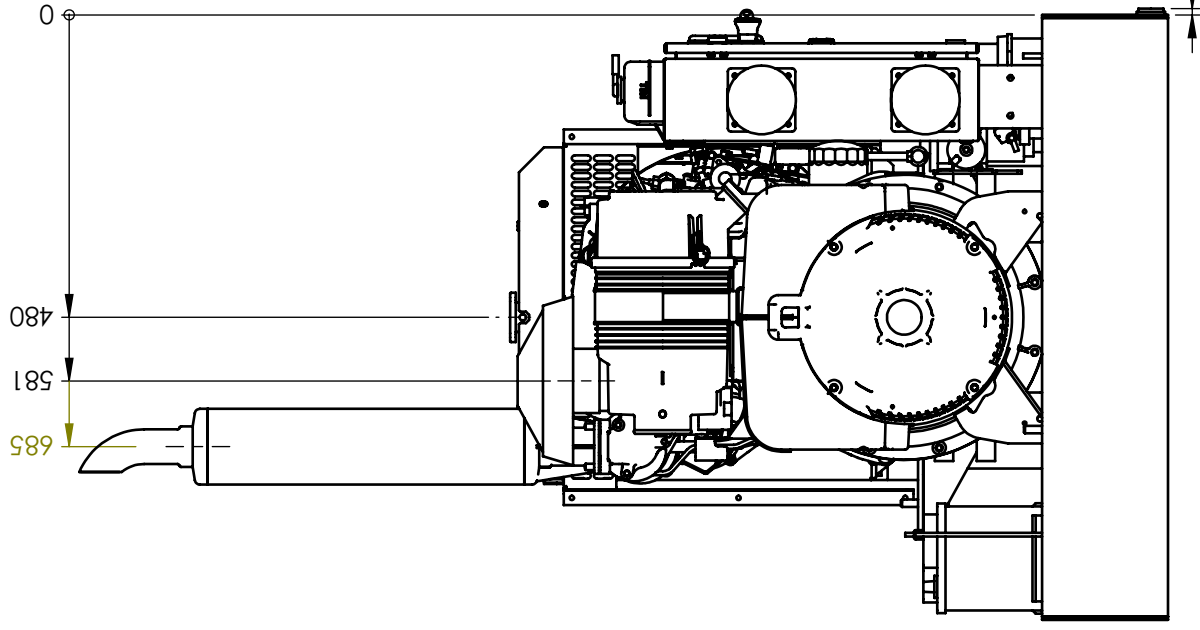
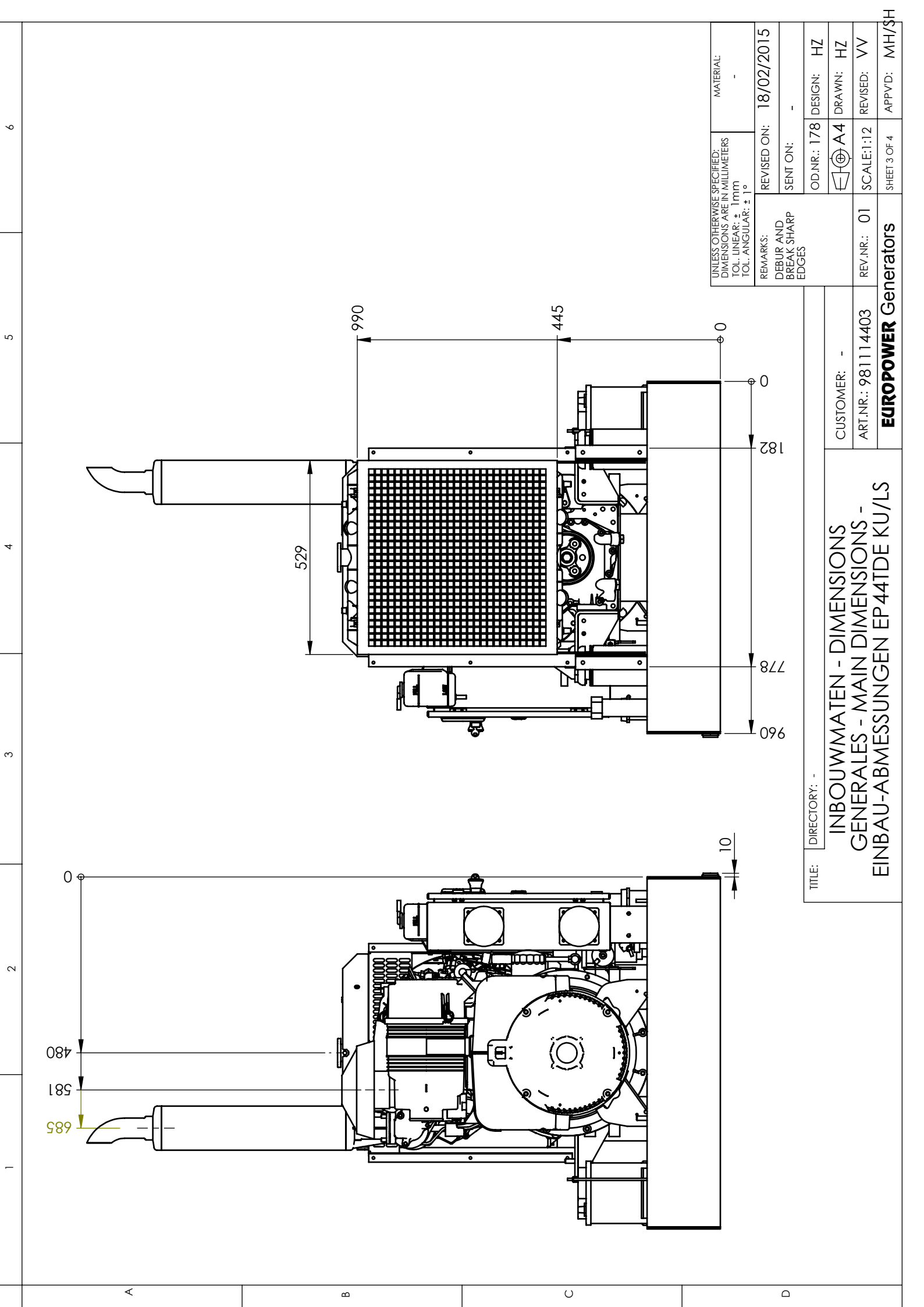
**INBOUWMATEN - DIMENSIONS GENERALES -  
 MAIN DIMENSIONS - EINBAU-  
 ABMESSUNGEN EP44TDE KU/LS**

CUSTOMER: -

ART.NR.: 981114403

**EUROPOWER Generators**

UNLESS OTHERWISE SPECIFIED: DIMENSIONS ARE IN MILLIMETERS TOL. LINEAR: ± 1mm TOL. ANGULAR: ± 1°		MATERIAL: -	
REMARKS: DEBUR AND BREAK SHARP EDGES	REVISED ON: 18/02/2015		
	SENT ON: -		
	OD.NR.: 178	DESIGN: HZ	
	A4	DRAWN: HZ	
REV.NR.: 01	SCALE:1:13	REVISED: VV	
SHEET 2 OF 4		APPV'D: MH/SH	



TITLE: DIRECTORY: -

INBOUWMATEN - DIMENSIONS  
 GENERALES - MAIN DIMENSIONS -  
 EINBAU-ABMESSUNGEN EP44TDE KU/LS

CUSTOMER: -

ART.NR.: 981114403

**EUROPOWER Generators**

UNLESS OTHERWISE SPECIFIED:  
 DIMENSIONS ARE IN MILLIMETERS  
 TOL. LINEAR: ± 1mm  
 TOL. ANGULAR: ± 1°

MATERIAL:  
 -

REMARKS:  
 DEBUR AND  
 BREAK SHARP  
 EDGES

REVISED ON: 18/02/2015

SENT ON: -

OD.NR.: 178 DESIGN: HZ

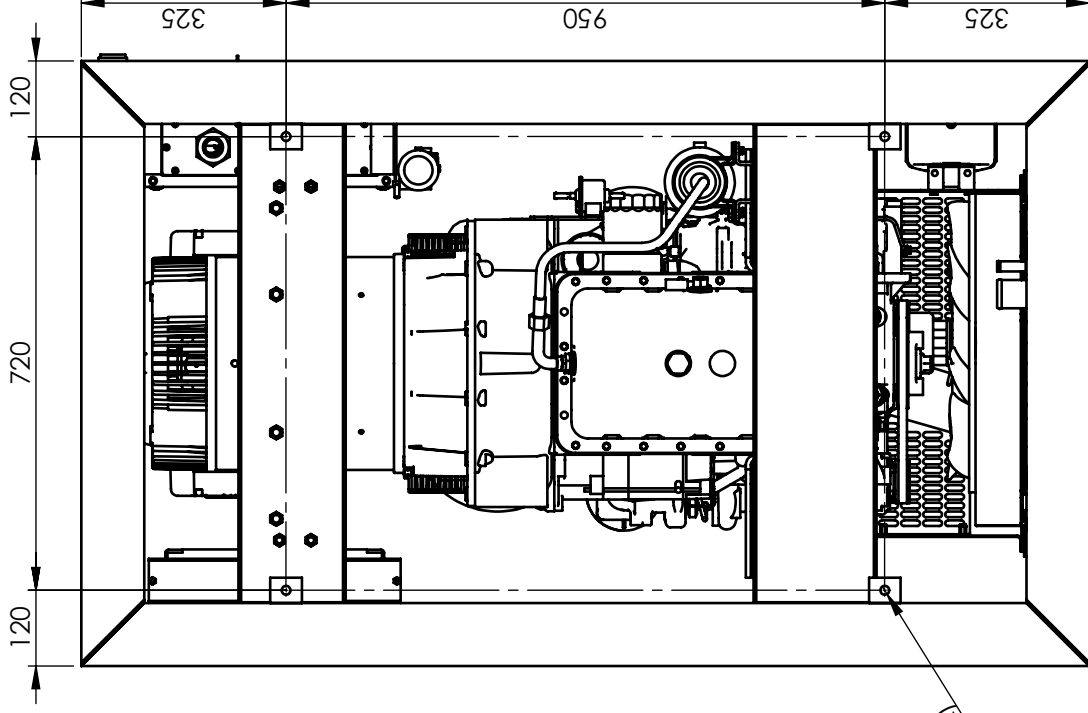
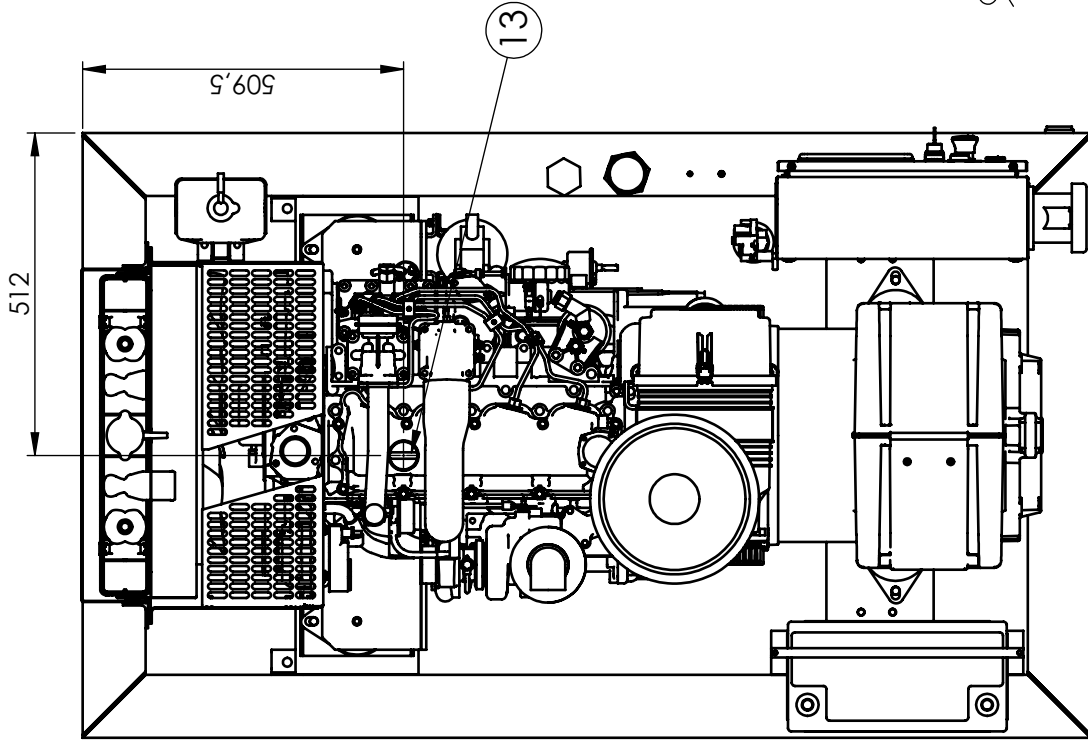
A4 DRAWN: HZ

SCALE: 1:12 REVISED: VV

SHEET 3 OF 4

APPVD: MH/\$H





BEVESTIGINGSGATEN  
 TROUS DE FIXATION  
 FIXATION HOLES  
 BEVESTIGUNGSLÖCHER

TITLE: DIRECTORY: -

INBOUWMATEN - DIMENSIONS  
 GENERALES - MAIN DIMENSIONS -  
 EINBAU-ABMESSUNGEN EP44TDE KU/LS

CUSTOMER: -  
 ART.NR.: 98114403

REV.NR.: 01  
**EUROPOWER Generators**

UNLESS OTHERWISE SPECIFIED:  
 DIMENSIONS ARE IN MILLIMETERS  
 TOL. LINEAR: ± 1mm  
 TOL. ANGULAR: ± 1°

MATERIAL: -

REMARKS:  
 DEBUR AND  
 BREAK SHARP  
 EDGES

REVISED ON: 18/02/2015

SENT ON: -

OD.NR.: 178

DESIGN: HZ

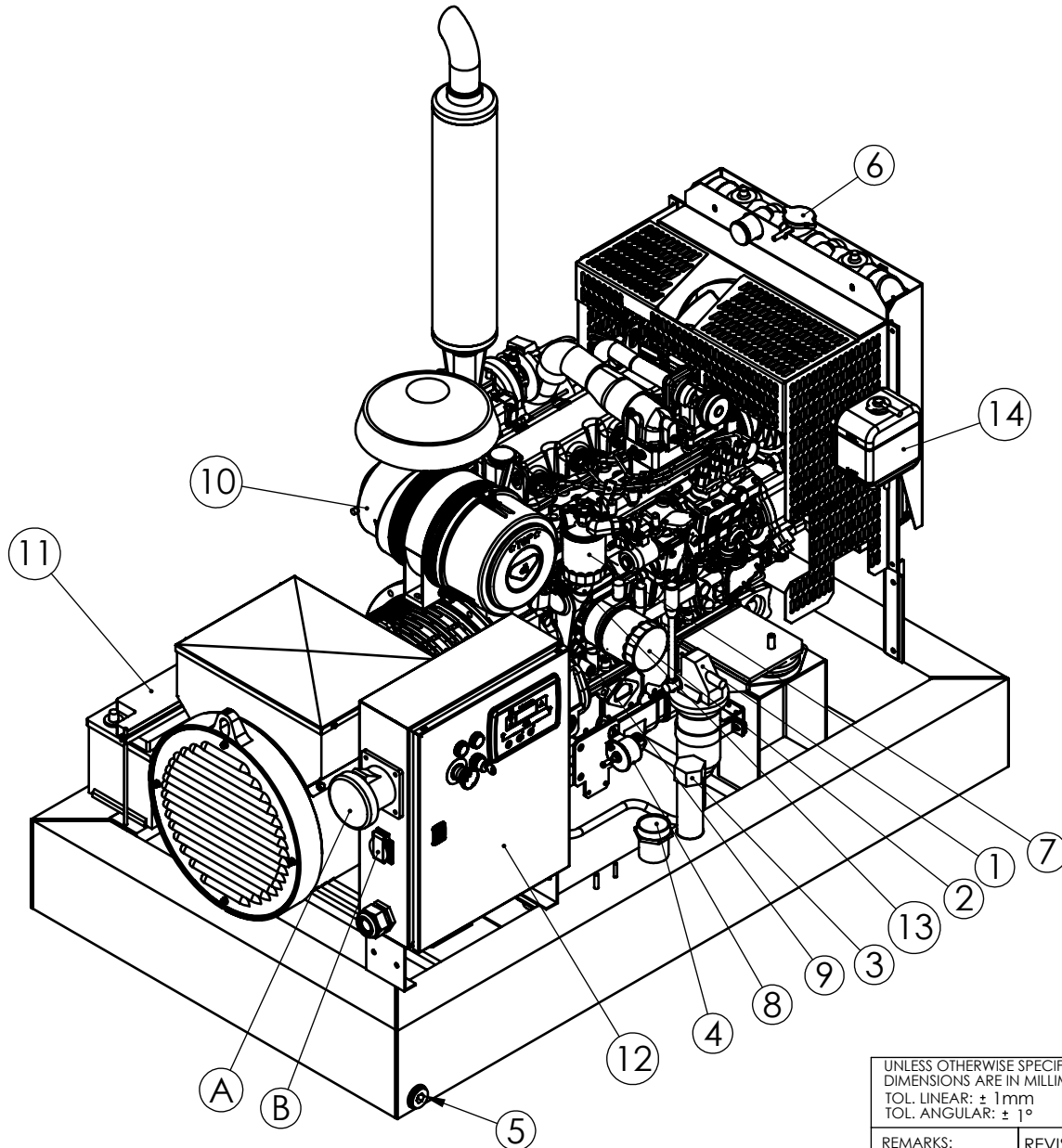
DRAWN: HZ

REVISED: VV

SHEET 4 OF 4

APPVD: MH/\$H

Item nr.	Nederlands	Français	English	Deutsch
1	OLIEPOMP	POMPE D'HUILE	OIL PUMP	ÖLPUMPE
2	OLIEFILTER	FILTRE D'HUILE	OIL FILTER	ÖLFILTER
3	DIESELVULDOP	BOUCHON REMPLISSAGE CARBURANT	DIESEL FILL CAP	DIESEL-FÜLLSTUTZEN
4	BRANDSTOFPEILMETER	JAUGE CARBURANT	FUEL LEVEL METER	KRAFTSTOFFUHR
5	BRANDSTOFAFLAATSTOP	BOUCHON VIDANGE CARBURANT	FUEL DRAIN PLUG	KRAFTSTOFFABLAßVERSCHLUSS
6	KOELWATERVULDOP	BOUCHON REMPLISSAGE EAU DE REFROIDISSEMENT	COOLING WATER FILL CAP	KÜHLWASSERFÜLLSTUTZEN
7	DIESELFILTER	FILTRE DIESEL	DIESEL FILTER	DIESELFILTER
8	12V DIESELPOMP	POMPE DIESEL 12V	12V FUEL PUMP	12V DIESELPUMPE
9	OLIEPEILSTOK	JAUGE D'HUILE	OIL DIPSTICK	ÖLMESSTAB
10	LUCHTFILTER	FILTRE À AIR	AIR FILTER	LUFTFILTER
11	88Ah ACCU	88Ah BATTERIE	88Ah BATTERY	88Ah AKKU
12	TABLEAU	TABLEAU DE COMMANDE	CONTROL PANEL	SCHALTAFEL
13	OLIEVULDOP	BOUCHON REMPLISSAGE D'HUILE	OIL FILL CAP	ÖL-FÜLLSTUTZEN
14	EXPANSIEVAT	VASE D'EXPANSION	EXPANSION TANK	AUSGLEICHSBEHÄLTER
A	CEE 3P 63A 230V	CEE 3P 63A 230V	CEE 3P 63A 230V	CEE 3P 63A 230V
B	SCHUKO 16A 230V	SCHUKO 16A 230V	SCHUKO 16A 230V	SCHUKO 16A 230V



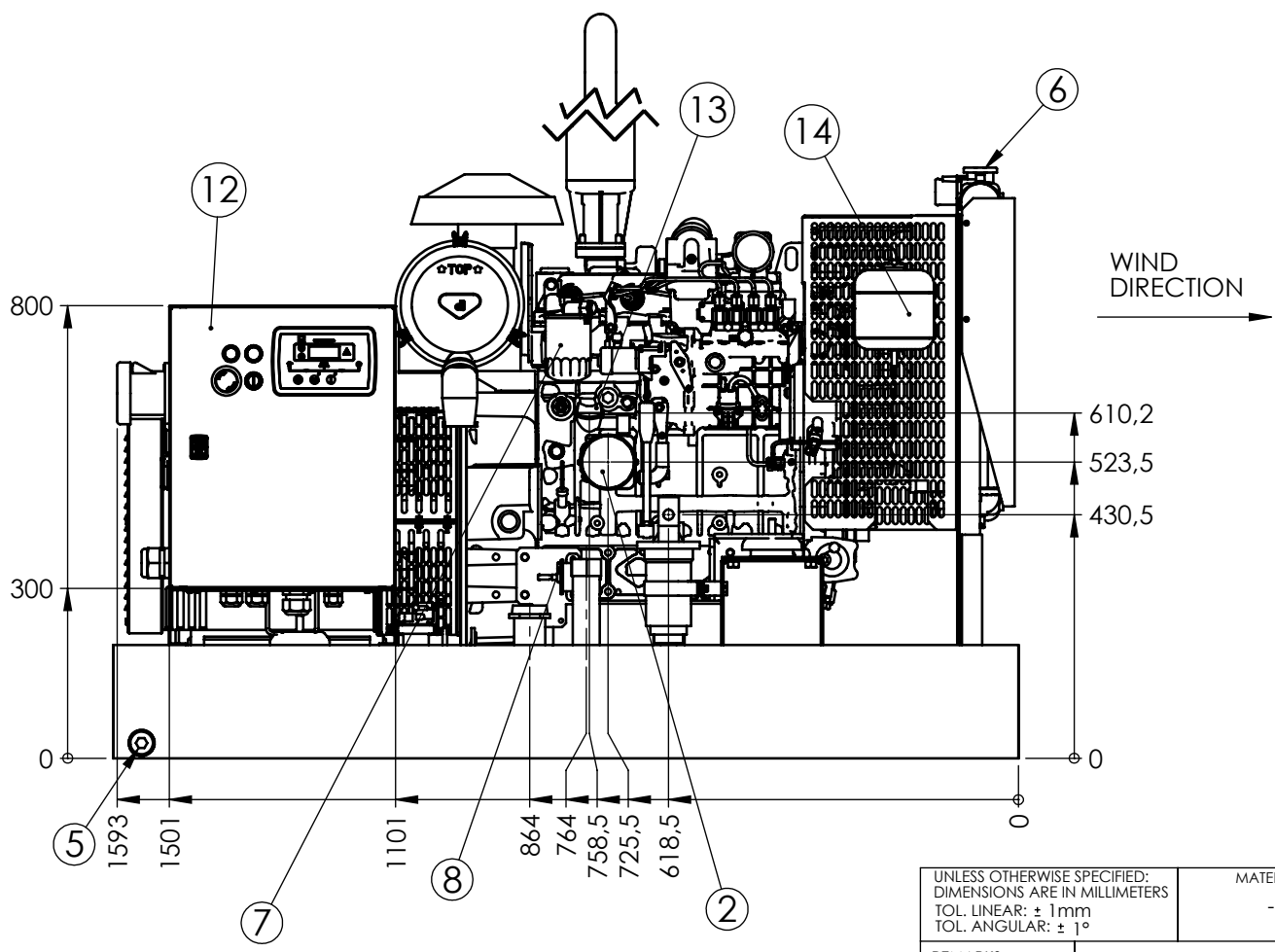
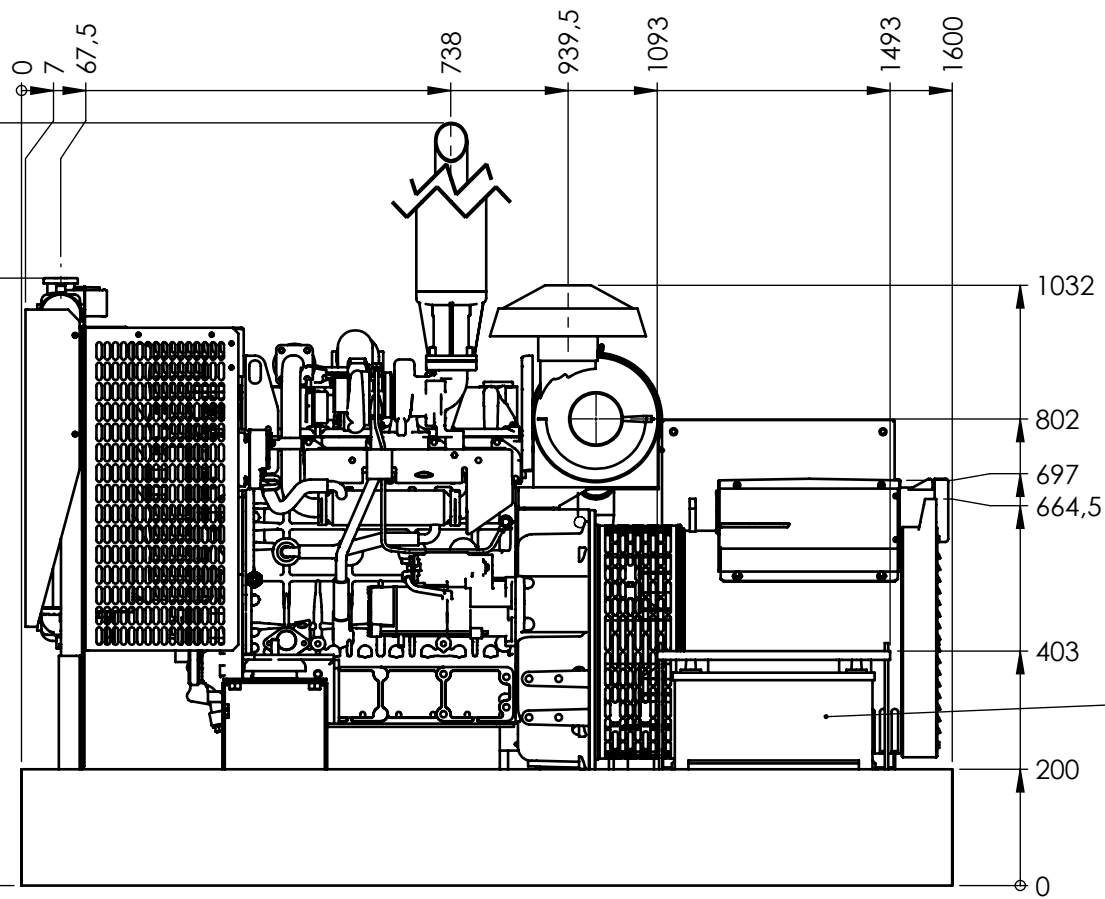
UNLESS OTHERWISE SPECIFIED: DIMENSIONS ARE IN MILLIMETERS TOL. LINEAR: ± 1mm TOL. ANGULAR: ± 1°		MATERIAL: -	
REMARKS: DEBUR AND BREAK SHARP EDGES	REVISED ON:	18/02/2015	
	SENT ON:	-	
	OD.NR.: 178	DESIGN:	HZ
	A4	DRAWN:	HZ
	SCALE: 1:13	REVISED:	-
<b>EUROPOWER Generators</b>		SHEET 1 OF 4	APP'VD: MH/SH

TITLE: DIRECTORY: -

**INBOUWMATEN - DIMENSIONS GENERALES -  
MAIN DIMENSIONS - EINBAU-  
ABMESSUNGEN EP30DE KU/MA**

CUSTOMER: -  
ART.NR.: 991113001

REV.NR.: 01



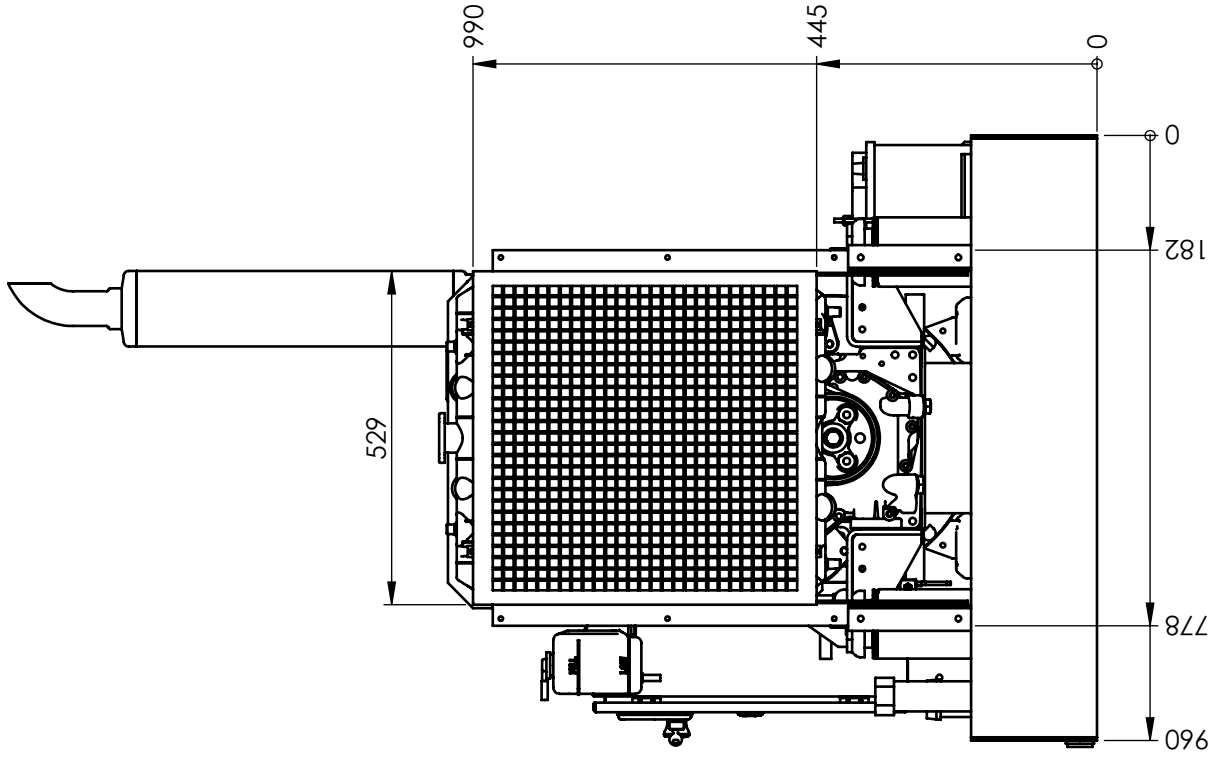
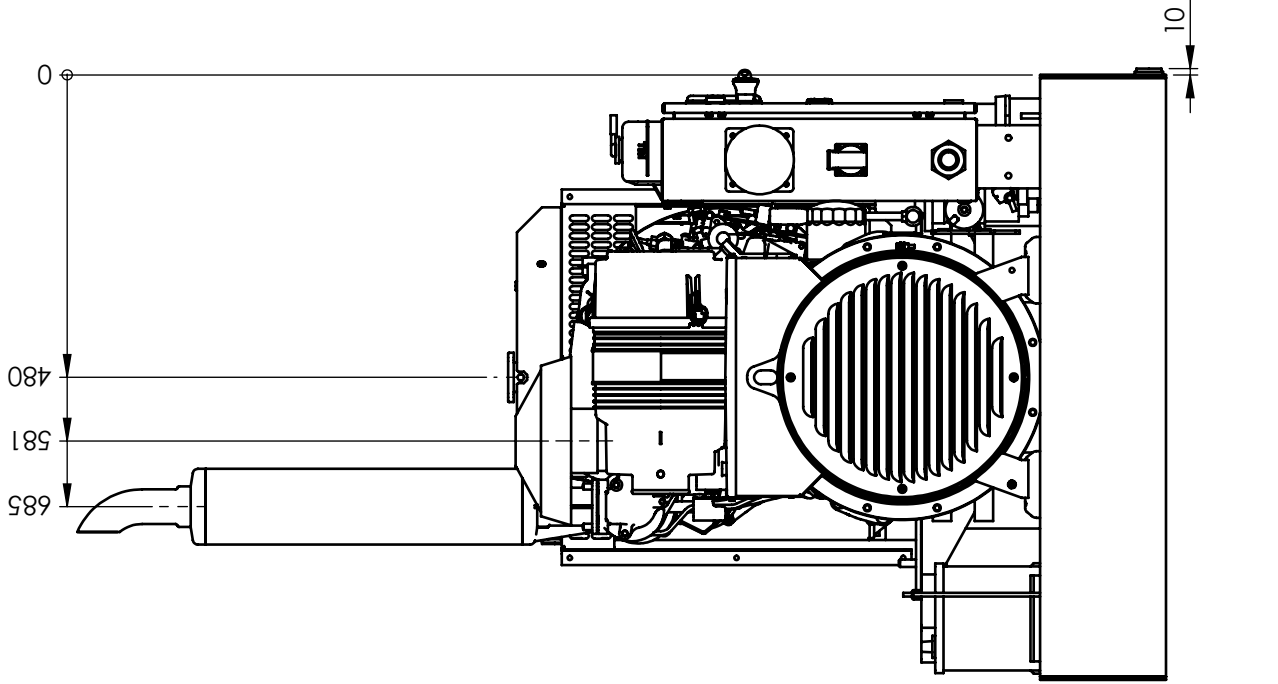
UNLESS OTHERWISE SPECIFIED: DIMENSIONS ARE IN MILLIMETERS TOL. LINEAR: $\pm 1$ mm TOL. ANGULAR: $\pm 1^\circ$		MATERIAL: -	
REMARKS: DEBUR AND BREAK SHARP EDGES	REVISED ON: 18/02/2015		
	SENT ON: -		
	OD.NR.: 178	DESIGN: HZ	
	A4	DRAWN: HZ	
CUSTOMER: -	REV.NR.: 01	SCALE: 1:13	REVISED: -
ART.NR.: 991113001	EUROPOWER Generators		SHEET 2 OF 4
			APP'VD: MH/SH

TITLE: DIRECTORY: -

**INBOUWMATEN - DIMENSIONS GENERALES -  
MAIN DIMENSIONS - EINBAU-  
ABMESSUNGEN EP30DE KU/MA**

CUSTOMER: -

ART.NR.: 991113001



UNLESS OTHERWISE SPECIFIED:  
DIMENSIONS ARE IN MILLIMETERS  
TOL. LINEAR:  $\pm 1\text{mm}$   
TOL. ANGULAR:  $\pm 1^\circ$

MATERIAL:  
-

REVISED ON: 18/02/2015

REMARKS:  
DEBUR AND  
BREAK SHARP  
EDGES

SENT ON: -

OD.NR.: 178

DESIGN: HZ

DRAWN: HZ

REVISION: -

REV.NR.: 01

ART.NR.: 991113001

CUSTOMER: -

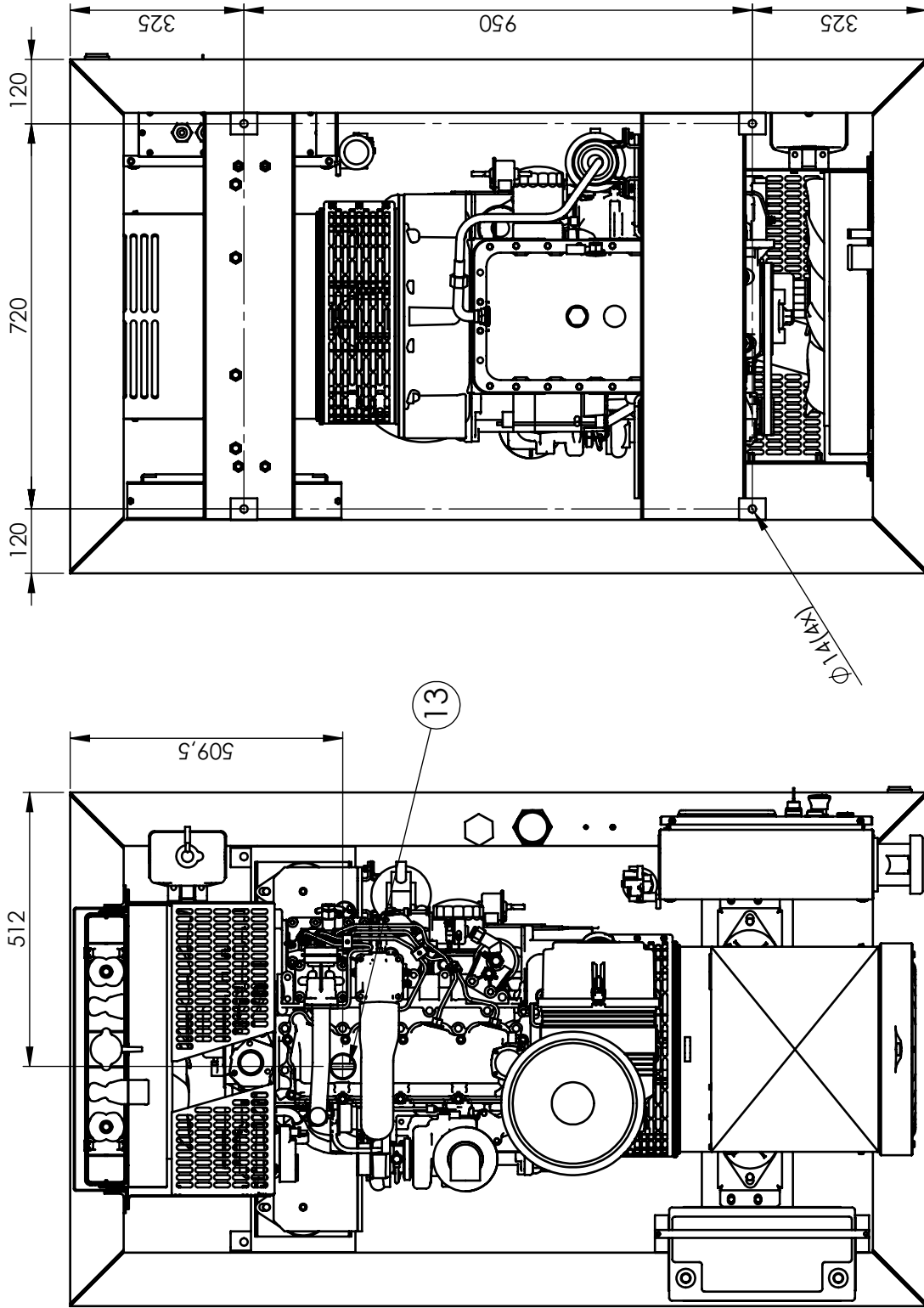
TITLE: DIRECTORY: -

INBOUWMATEN - DIMENSIONS  
GENERALES - MAIN DIMENSIONS -  
EINBAU-ABMESSUNGEN EP30DE KU/MA

**EUROPOWER Generators**

SHEET 3 OF 4

APPVD: MH/\$H



BEVESTIGINGSGATEN  
TROUS DE FIXATION  
FIXATION HOLES  
BEVESTIGUNGSLÖCHER

TITLE: DIRECTORY: -

INBOUWMATEN - DIMENSIONS  
GENERALES - MAIN DIMENSIONS -  
EINBAU-ABMESSUNGEN EP30DE KU/MA

CUSTOMER: -

ART.NR.: 991113001

**EUROPOWER** Generators

UNLESS OTHERWISE SPECIFIED:  
DIMENSIONS ARE IN MILLIMETERS  
TOL. LINEAR: ± 1mm  
TOL. ANGULAR: ± 1°

MATERIAL:  
-

REMARKS:  
DEBUR AND  
BREAK SHARP  
EDGES

REVISED ON: 18/02/2015

SENT ON: -

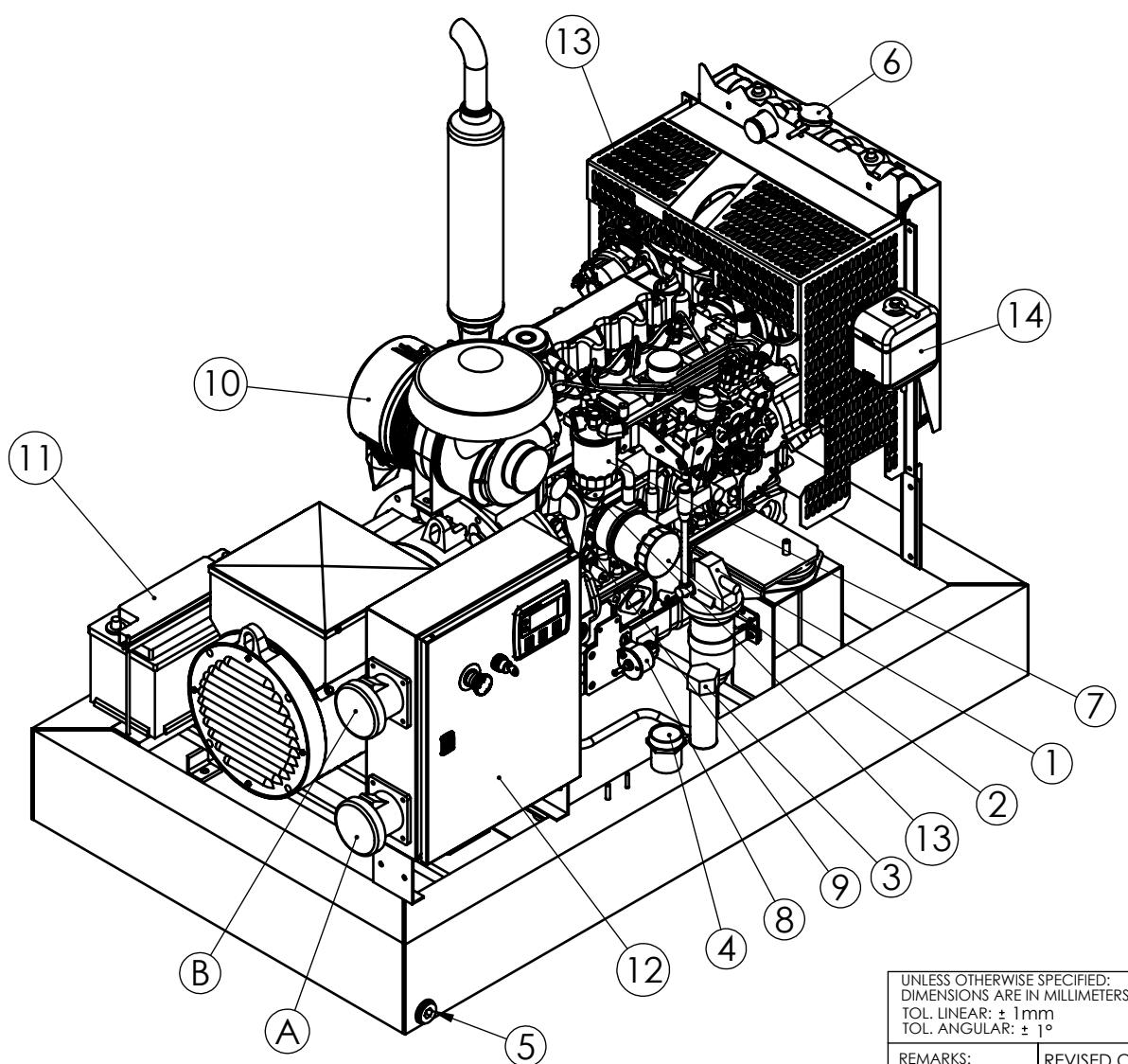
OD.NR.: 178 DESIGN: HZ

A4 DRAWN: HZ

SCALE: 1:12 REVISED: -

REV.NR.: 01 SHEET 4 OF 4 APPVD: MH/\$H

Item nr.	Nederlands	Français	English	Deutsch
1	OLIEPOMP	POMPE D'HUILE	OIL PUMP	ÖLPUMPE
2	OLIEFILTER	FILTRE D'HUILE	OIL FILTER	ÖLFILTER
3	DIESELVULDOP	BOUCHON REMPLISSAGE CARBURANT	DIESEL FILL CAP	DIESEL-FÜLLSTUTZEN
4	BRANDSTOFPEILMETER	JAUGE CARBURANT	FUEL LEVEL METER	KRAFTSTOFFUHR
5	BRANDSTOFAFLAATSTOP	BOUCHON VIDANGE CARBURANT	FUEL DRAIN PLUG	KRAFTSTOFFABLAßVERSCHLUSS
6	KOELWATERVULDOP	BOUCHON REMPLISSAGE EAU DE REFROIDISSEMENT	COOLING WATER FILL CAP	KÜHLWASSERFÜLLSTUTZEN
7	DIESELFILTER	FILTRE DIESEL	DIESEL FILTER	DIESELFILTER
8	12V DIESELPOMP	POMPE DIESEL 12V	12V FUEL PUMP	12V DIESELPUMPE
9	OLIEPEILSTOK	JAUGE D'HUILE	OIL DIPSTICK	ÖLMESSTAB
10	LUCHTFILTER	FILTRE À AIR	AIR FILTER	LUFTFILTER
11	88Ah ACCU	88Ah BATTERIE	88Ah BATTERY	88Ah AKKU
12	TABLEAU	TABLEAU DE COMMANDE	CONTROL PANEL	SCHALTAFEL
13	OLIEVULDOP	BOUCHON REMPLISSAGE D'HUILE	OIL FILL CAP	ÖL-FÜLLSTUTZEN
14	EXPANSIEVAT	VASE D'EXPANSION	EXPANSION TANK	AUSGLEICHSBEHÄLTER
A	CEE 3P 63A 230V	CEE 3P 63A 230V	CEE 3P 63A 230V	CEE 3P 63A 230V
B	CEE 5P 63A 400V	CEE 5P 63A 400V	CEE 5P 63A 400V	CEE 5P 63A 400V

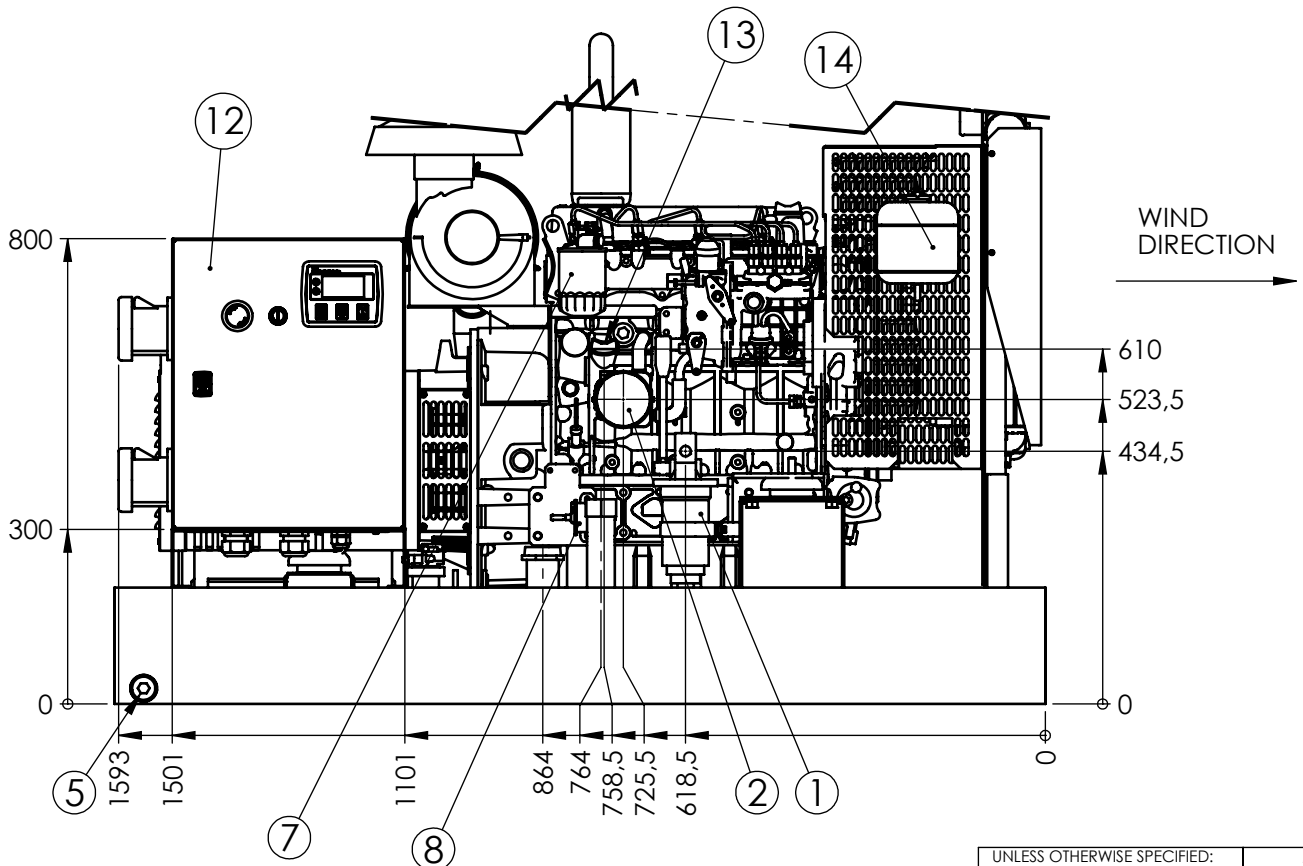
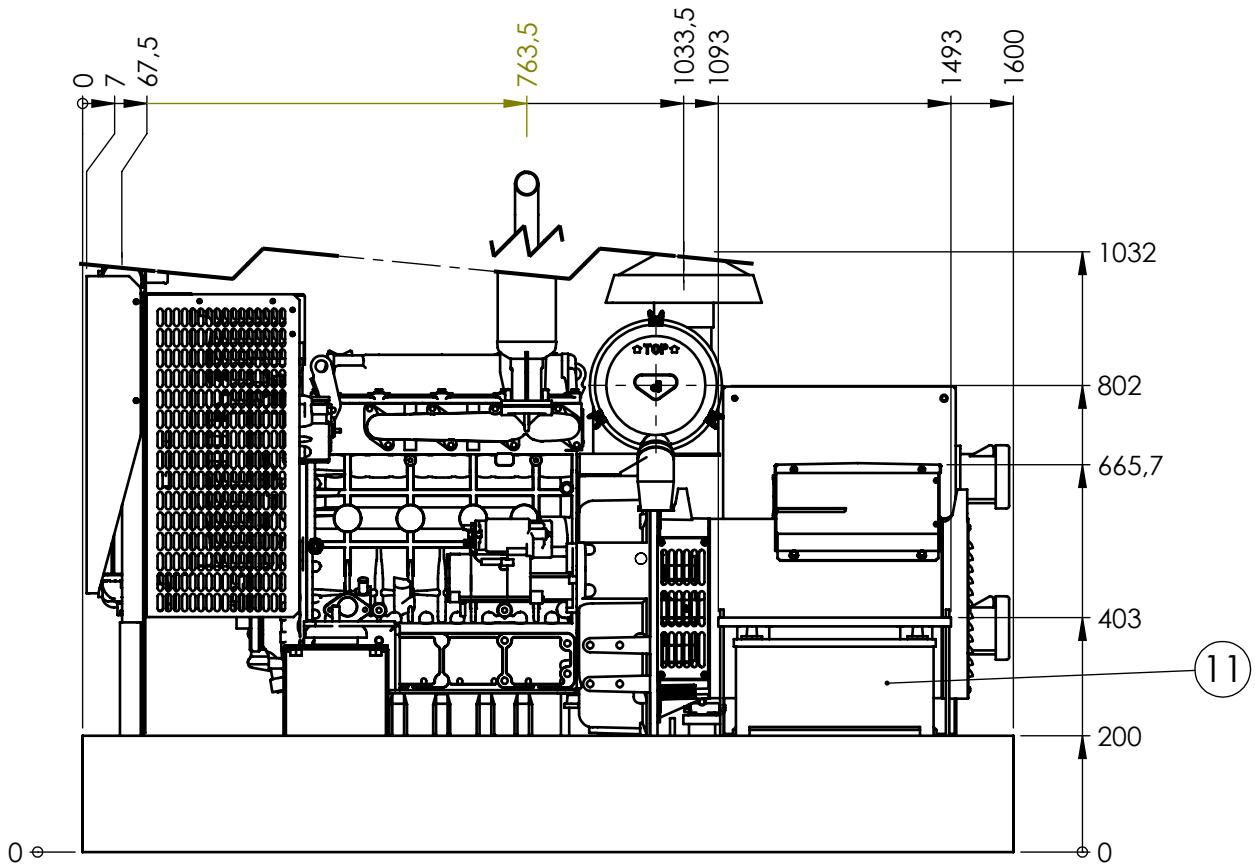


UNLESS OTHERWISE SPECIFIED: DIMENSIONS ARE IN MILLIMETERS TOL. LINEAR: ± 1mm TOL. ANGULAR: ± 1°		MATERIAL: -	
REMARKS: DEBUR AND BREAK SHARP EDGES	REVISED ON: 18/02/2015		
	SENT ON: -		
	OD.NR.: 178	DESIGN: HZ	
	A4	DRAWN: HZ	
ART.NR.: 991113403	REV.NR.: 01	SCALE: 1:13	REVISED: -
<b>EUROPOWER Generators</b>		SHEET 1 OF 4	APPV'D: MH/SH

TITLE: DIRECTORY: -

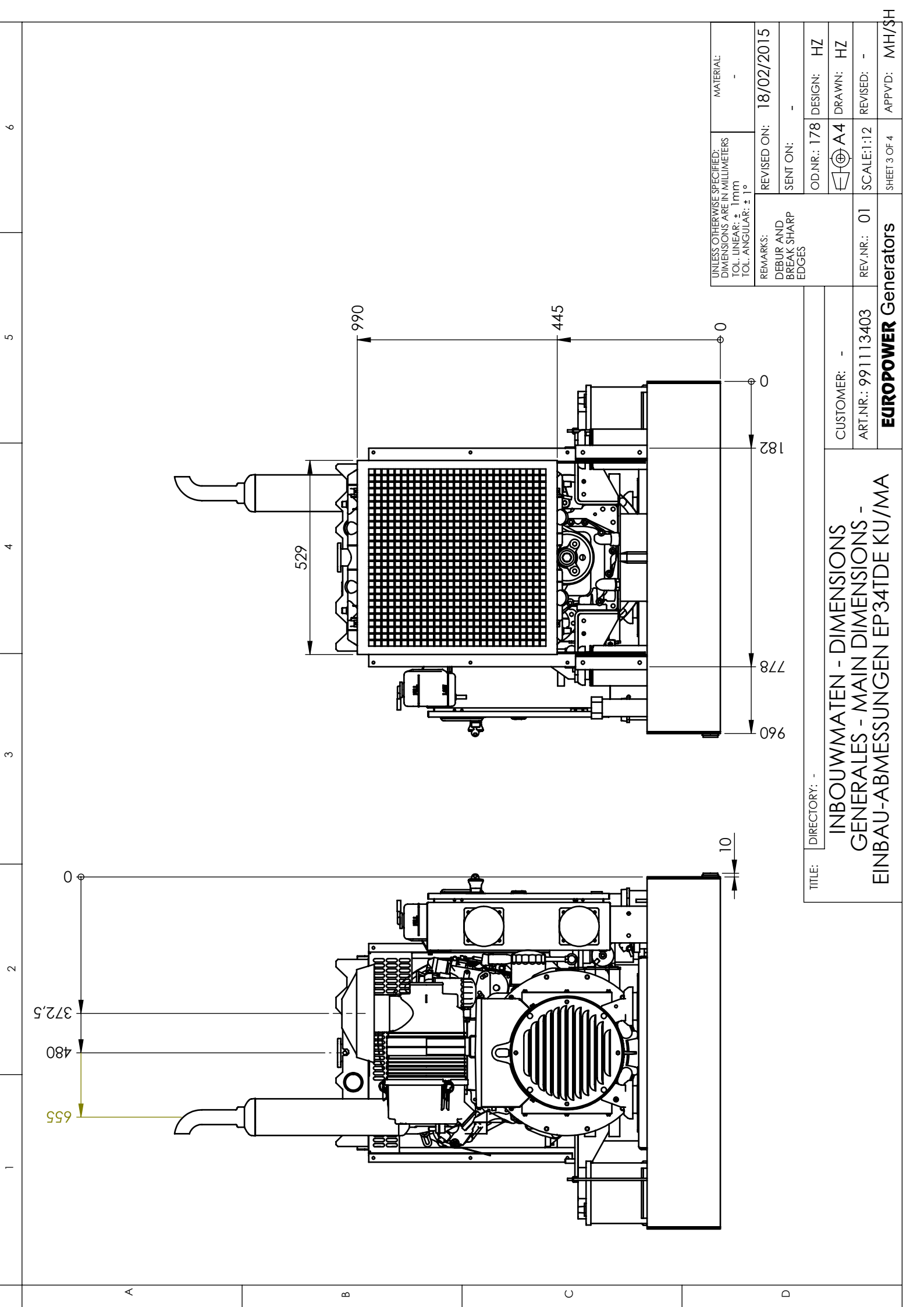
**INBOUWMATEN - DIMENSIONS GENERALES -  
MAIN DIMENSIONS - EINBAU-  
ABMESSUNGEN EP34TDE KU/MA**

CUSTOMER: -  
ART.NR.: 991113403



UNLESS OTHERWISE SPECIFIED: DIMENSIONS ARE IN MILLIMETERS TOL. LINEAR: ± 1mm TOL. ANGULAR: ± 1°		MATERIAL: -	
REMARKS: DEBUR AND BREAK SHARP EDGES	REVISED ON: 18/02/2015		
	SENT ON: -		
	OD.NR.: 178	DESIGN: HZ	
	A4	DRAWN: HZ	
CUSTOMER: -	REV.NR.: 01	SCALE: 1:13	REVISED: -
ART.NR.: 991113403	EUROPOWER Generators		SHEET 2 OF 4
			APP'VD: MH/SH

TITLE: DIRECTORY: -  
**INBOUWMATEN - DIMENSIONS GENERALES -  
 MAIN DIMENSIONS - EINBAU-  
 ABMESSUNGEN EP34TDE KU/MA**



655  
480  
372,5  
0

529  
990  
445  
0  
182  
778  
960  
10

UNLESS OTHERWISE SPECIFIED:  
DIMENSIONS ARE IN MILLIMETERS  
TOL. LINEAR: ± 1mm  
TOL. ANGULAR: ± 1°

MATERIAL:  
-

REMARKS:  
DEBUR AND  
BREAK SHARP  
EDGES

REVISED ON: 18/02/2015

SENT ON: -

OD.NR.: 178

DESIGN: HZ

DRAWN: HZ

REVISIONS:  
SCALE: 1:12

REV.NR.: 01

SHEET 3 OF 4

APPVD: MH/\$H

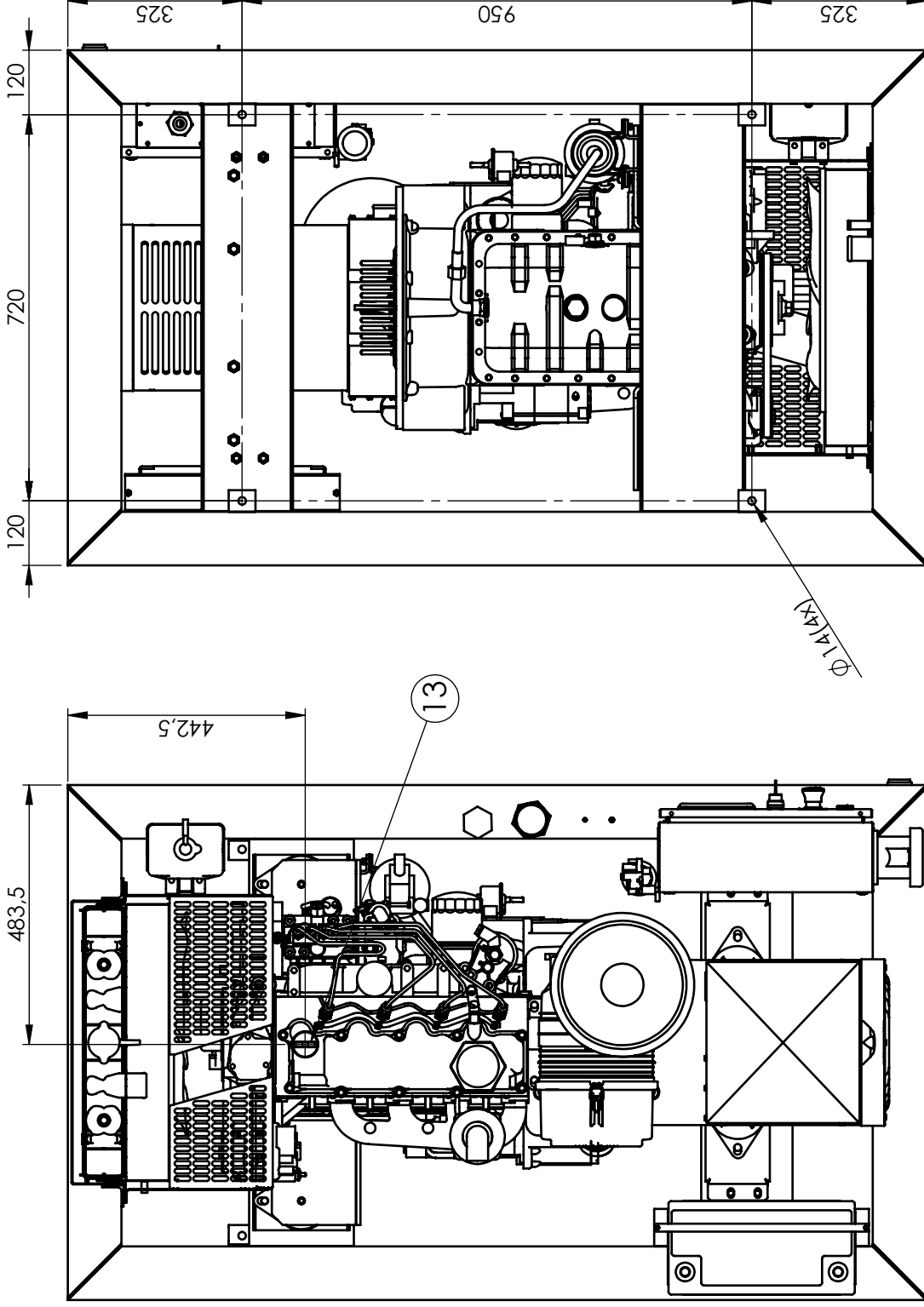
TITLE: DIRECTORY: -

CUSTOMER: -  
ART.NR.: 991113403

**INBOUWMATEN - DIMENSIONS**  
**GENERALES - MAIN DIMENSIONS -**  
**EINBAU-ABMESSUNGEN EP34TDE KU/MA**

**EUROPOWER Generators**





BEVESTIGINGSGATEN  
TROUS DE FIXATION  
FIXATION HOLES  
BEVESTIGUNGSÖLÖCHER

TITLE: DIRECTORY: -

INBOUWMATEN - DIMENSIONS  
GENERALES - MAIN DIMENSIONS -  
EINBAU-ABMESSUNGEN EP34TDE KU/MA

CUSTOMER: -  
ART.NR.: 991113403

**EUROPOWER** Generators

UNLESS OTHERWISE SPECIFIED: DIMENSIONS ARE IN MILLIMETERS TOL. LINEAR: ± 1mm TOL. ANGULAR: ± 1°	MATERIAL: -
REMARKS: DEBUR AND BREAK SHARP EDGES	REVISED ON: 18/02/2015
SENT ON: -	OD.NR.: 178 DESIGN: HZ
	DRAWN: HZ
	SCALE: 1:12 REVISED: -
REV.NR.: 01	SHEET 4 OF 4 APPVD: MH/\$H

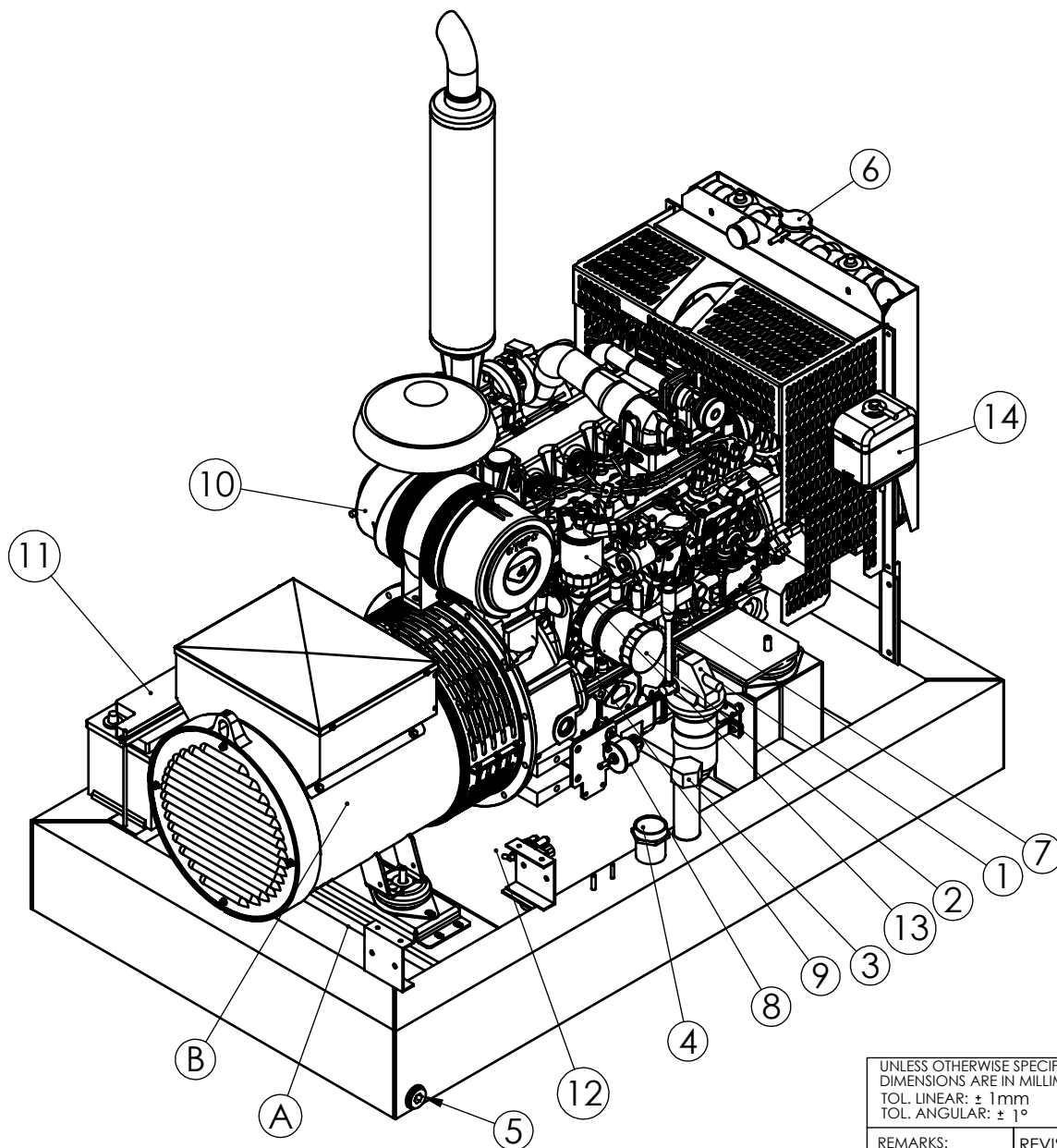
1

2

3

4

Item nr.	Nederlands	Français	English	Deutsch
1	OLIEPOMP	POMPE D'HUILE	OIL PUMP	ÖLPUMPE
2	OLIEFILTER	FILTRE D'HUILE	OIL FILTER	ÖLFILTER
3	DIESELVULDOP	BOUCHON REMPLISSAGE CARBURANT	DIESEL FILL CAP	DIESEL-FÜLLSTUTZEN
4	BRANDSTOFPEILMETER	JAUGE CARBURANT	FUEL LEVEL METER	KRAFTSTOFFUHR
5	BRANDSTOFAFLAATSTOP	BOUCHON VIDANGE CARBURANT	FUEL DRAIN PLUG	KRAFTSTOFFABLAßVERSCHLUSS
6	KOELWATERVULDOP	BOUCHON REMPLISSAGE EAU DE REFROIDISSEMENT	COOLING WATER FILL CAP	KÜHLWASSERFÜLLSTUTZEN
7	DIESELFILTER	FILTRE DIESEL	DIESEL FILTER	DIESELFILTER
8	12V DIESELPOMP	POMPE DIESEL 12V	12V FUEL PUMP	12V DIESELPUMPE
9	OLIEPEILSTOK	JAUGE D'HUILE	OIL DIPSTICK	ÖLMESSTAB
10	LUCHTFILTER	FILTRE À AIR	AIR FILTER	LUFTFILTER
11	88Ah ACCU	88Ah BATTERIE	88Ah BATTERY	88Ah AKKU
12	TABLEAU	TABLEAU DE COMMANDE	CONTROL PANEL	SCHALTAFEL
13	OLIEVULDOP	BOUCHON REMPLISSAGE D'HUILE	OIL FILL CAP	ÖL-FÜLLSTUTZEN
14	EXPANSIEVAT	VASE D'EXPANSION	EXPANSION TANK	AUSGLEICHSBEHÄLTER
A	CEE 3P 63A 230V	CEE 3P 63A 230V	CEE 3P 63A 230V	CEE 3P 63A 230V
B	CEE 5P 63A 400V	CEE 5P 63A 400V	CEE 5P 63A 400V	CEE 5P 63A 400V



UNLESS OTHERWISE SPECIFIED: DIMENSIONS ARE IN MILLIMETERS TOL. LINEAR: $\pm 1$ mm TOL. ANGULAR: $\pm 1^\circ$		MATERIAL: -	
REMARKS: DEBUR AND BREAK SHARP EDGES	REVISED ON: 18/02/2015		
	SENT ON: -		
	OD.NR.: 178	DESIGN: HZ	
	A4	DRAWN: HZ	
ART.NR.: 991114403	REV.NR.: 01	SCALE: 1:13	REVISED: VV
<b>EUROPOWER Generators</b>		SHEET 1 OF 4	APP'VD: MH/SH

TITLE: DIRECTORY: -

INBOUWMATEN - DIMENSIONS GENERALES -  
MAIN DIMENSIONS - EINBAU-  
ABMESSUNGEN EP44TDE KU/MA

CUSTOMER: -

ART.NR.: 991114403

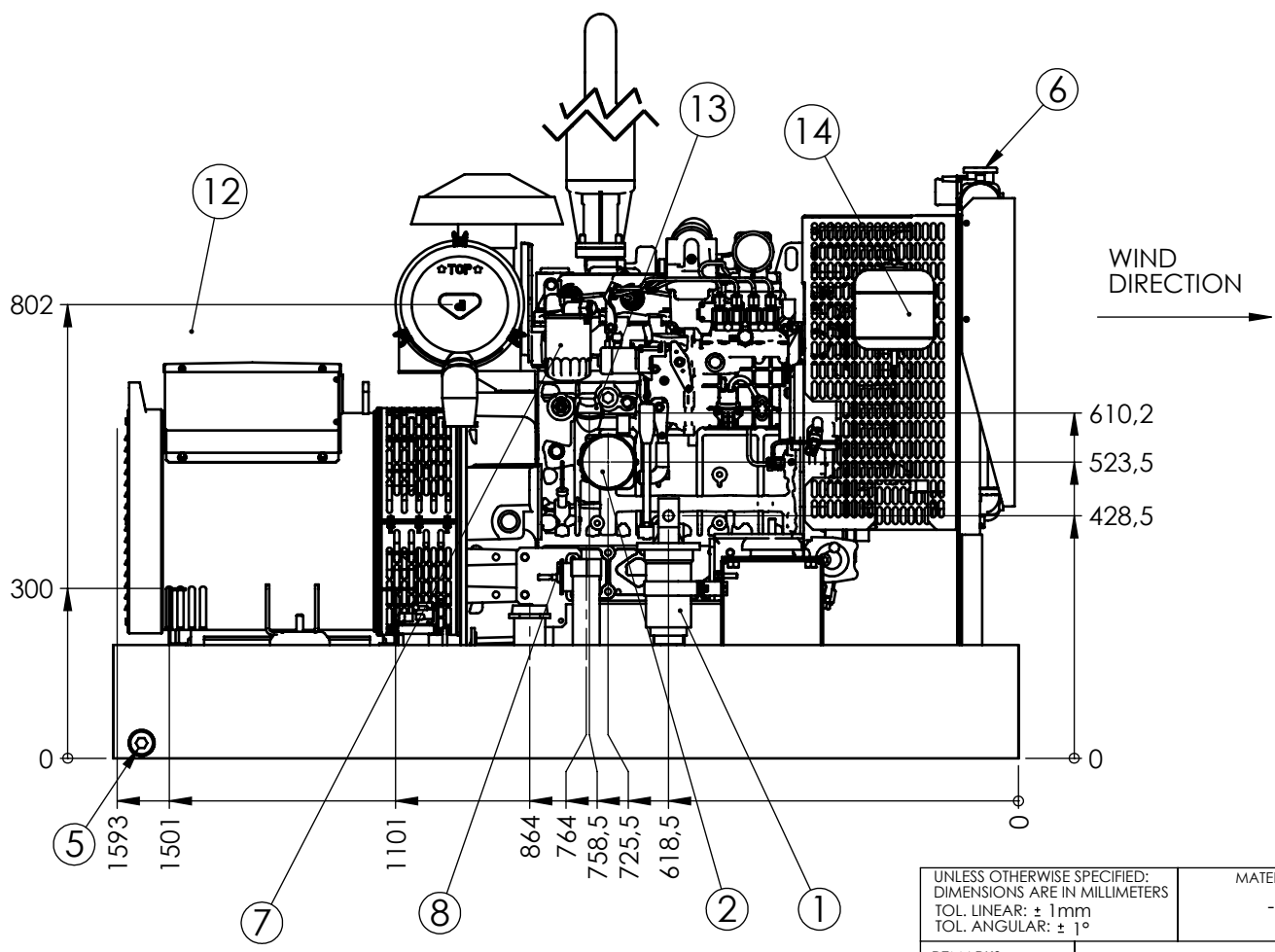
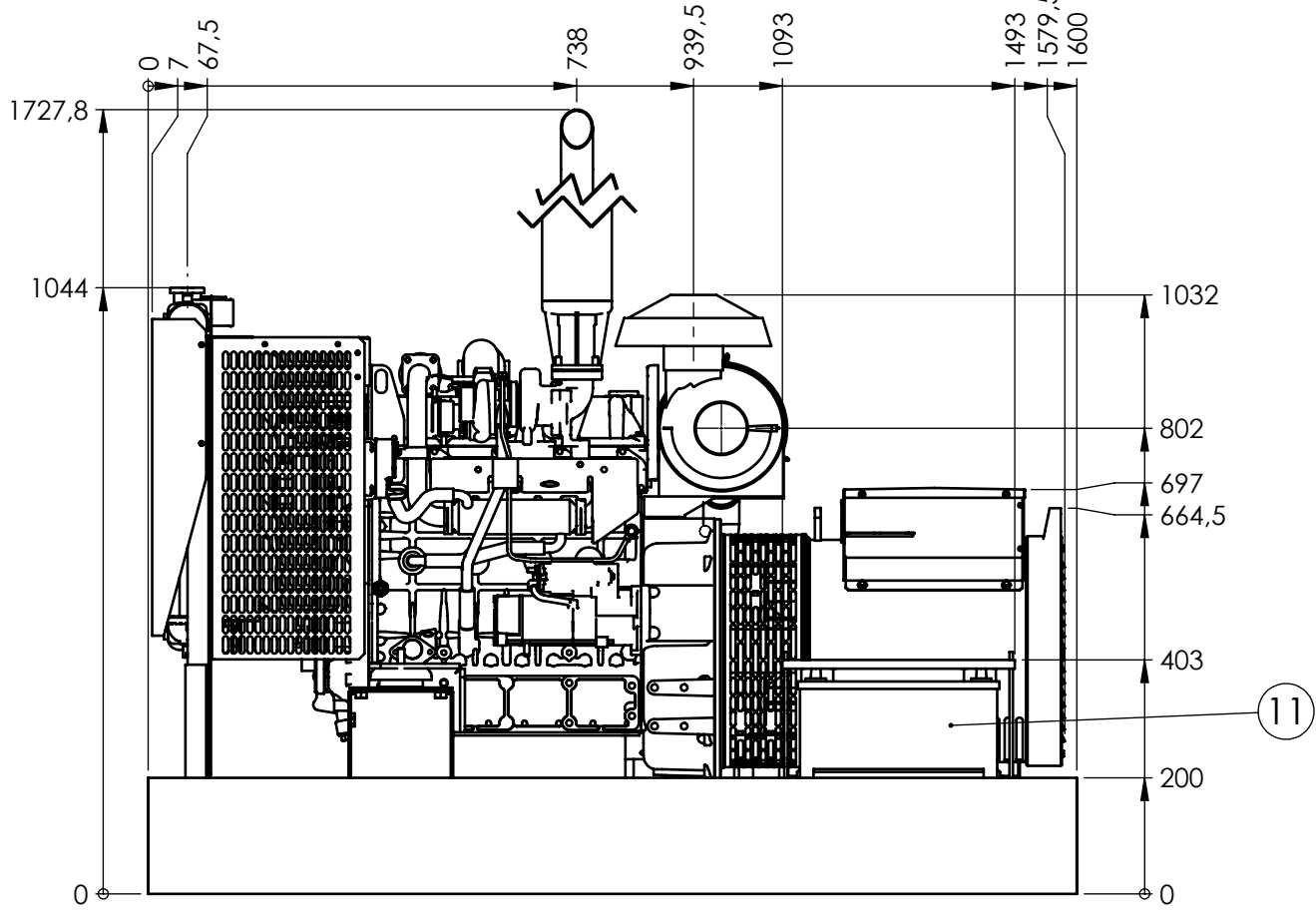
REV.NR.: 01

SCALE: 1:13

REVISED: VV

SHEET 1 OF 4

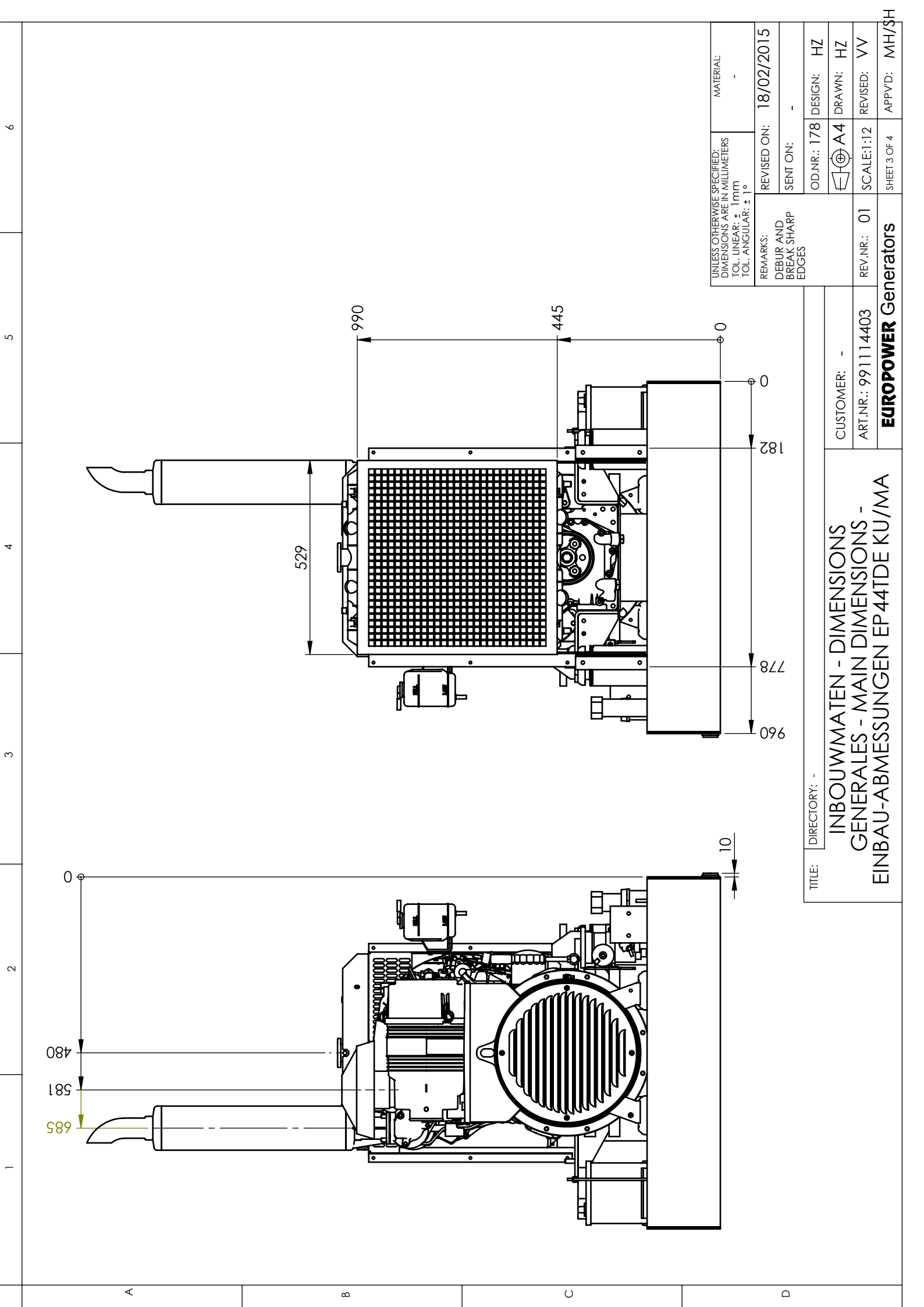
APP'VD: MH/SH



UNLESS OTHERWISE SPECIFIED: DIMENSIONS ARE IN MILLIMETERS TOL. LINEAR: ± 1mm TOL. ANGULAR: ± 1°		MATERIAL: -	
REMARKS: DEBUR AND BREAK SHARP EDGES	REVISED ON: 18/02/2015		
	SENT ON: -		
	OD.NR.: 178	DESIGN: HZ	
	A4	DRAWN: HZ	
CUSTOMER: -	REV.NR.: 01	SCALE: 1:13	REVISED: VV
ART.NR.: 991114403	EUROPOWER Generators		SHEET 2 OF 4
			APP'VD: MH/SH

TITLE: DIRECTORY: -

**INBOUWMATEN - DIMENSIONS GENERALES -  
MAIN DIMENSIONS - EINBAU-  
ABMESSUNGEN EP44TDE KU/MA**



685  
581  
480  
0

529

990

445

10

0

0

182

778

960

UNLESS OTHERWISE SPECIFIED: DIMENSIONS ARE IN MILLIMETERS TOL. LINEAR: ± 1mm TOL. ANGULAR: ± 1°	MATERIAL:	-
	REVISIED ON:	18/02/2015
REMARKS: DEBUR AND BREAK SHARP EDGES	SENT ON:	-
OD.NR.: 178	DESIGN:	HZ
A4	DRAWN:	HZ
SCALE: 1:12	REVISED:	VV
SHEET 3 OF 4	APPVD:	MH/\$H

TITLE: DIRECTORY: -

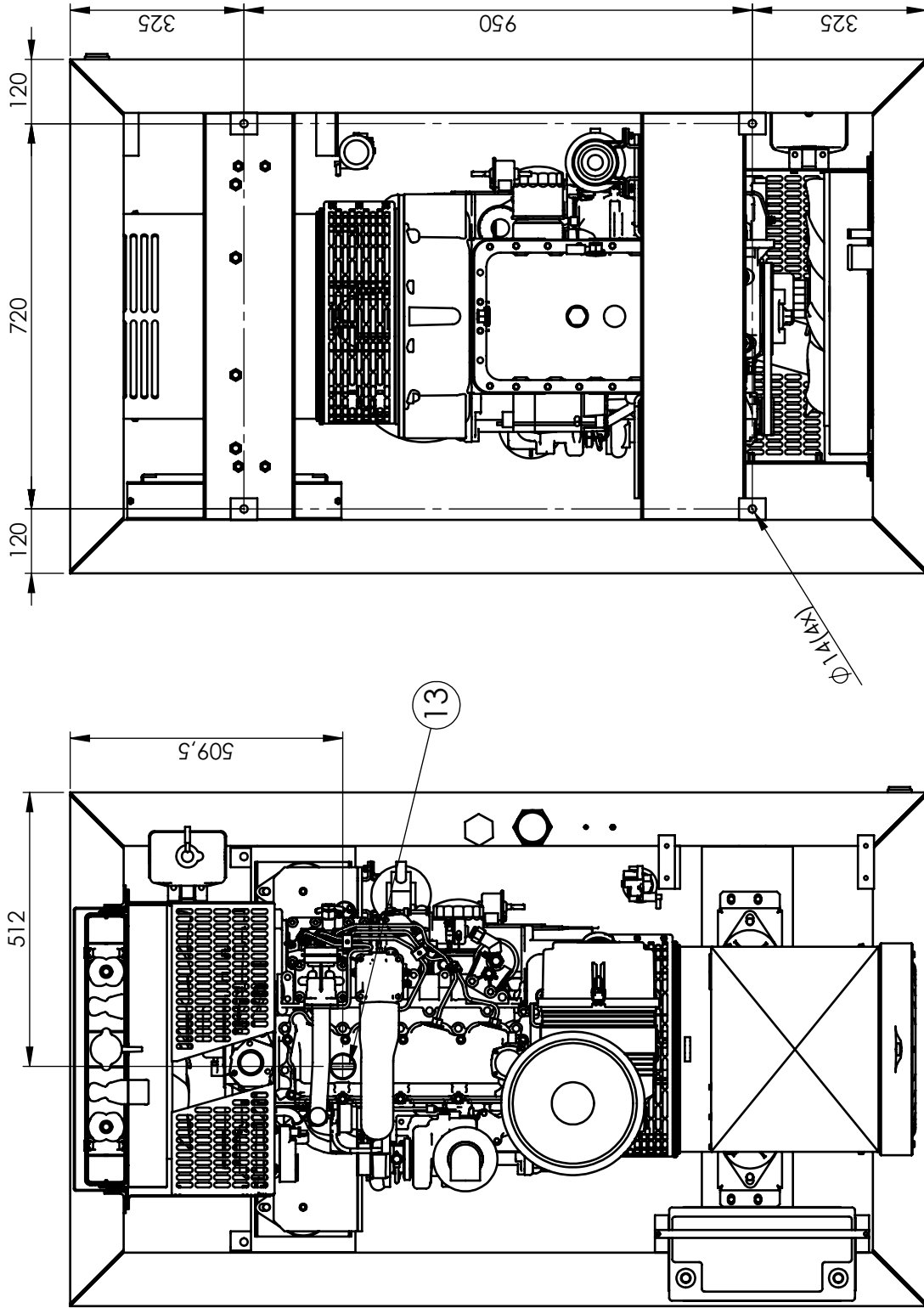
INBOUWMATEN - DIMENSIONS  
 GENERALES - MAIN DIMENSIONS -  
 EINBAU-ABMESSUNGEN EP 44TDE KU/MA

CUSTOMER: -

ART.NR.: 991114403

REV.NR.: 01

**EUROPOWER Generators**



BEVESTIGINGSGATEN  
TROUS DE FIXATION  
FIXATION HOLES  
BEVESTIGUNGSLÖCHER

TITLE: DIRECTORY: -

INBOUWMATEN - DIMENSIONS  
GENERALES - MAIN DIMENSIONS -  
EINBAU-ABMESSUNGEN EP 44TDE KU/MA

CUSTOMER: -  
ART.NR.: 991114403

**EUROPOWER** Generators

UNLESS OTHERWISE SPECIFIED:  
DIMENSIONS ARE IN MILLIMETERS  
TOL. LINEAR: ± 1mm  
TOL. ANGULAR: ± 1°

MATERIAL: -

REMARKS:  
DEBUR AND  
BREAK SHARP  
EDGES

REVISOR: 18/02/2015

SENT ON: -

OD.NR.: 178

DESIGN: HZ

DRAWN: HZ

REVISED: VV

SCALE: 1:12

REV.NR.: 01

REV.NR.: 01

SHEET 4 OF 4

APPVD: MH/\$H